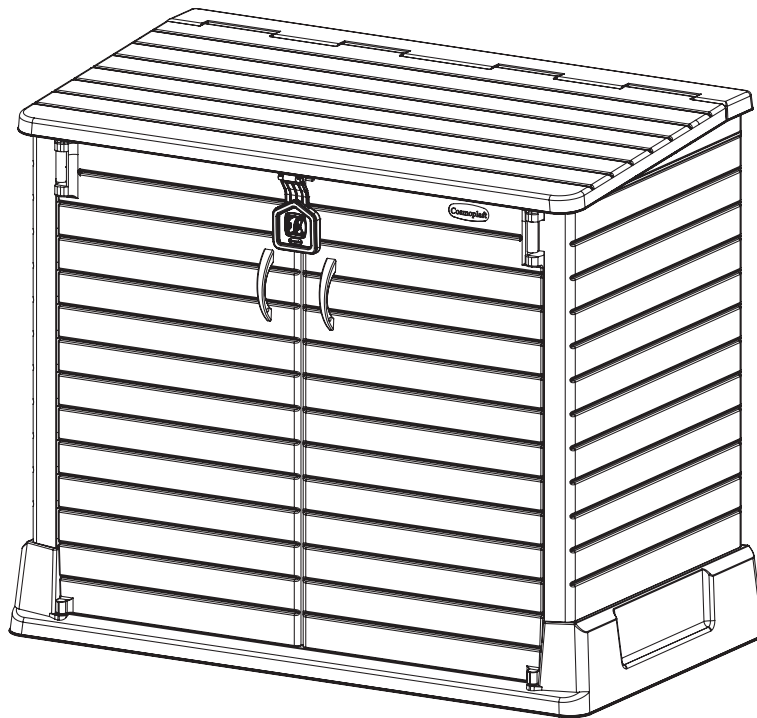




CEDARGRAIN
Collection

User Manual

STORAGE SHED 850L



WARNING
Make sure fingers don't get squeezed
between parts during assembly

⚠ CARE AND SAFETY

- To avoid any sort of damage, read and implement every step in the instruction manual carefully.
- Keep fingers away from connectors to avoid risk of injury during assembly.
- Be careful when handling components, some parts have sharp edges. It is recommended that you always wear work gloves during assembly.
- It is strictly NOT recommended to stand on the roof of the Storage Shed as the force can cause damage to the product and serious injuries to the user.
- Wash using water and mild detergent solution. Do not use a stiff brush or abrasive cleaners as these may stain or damage the Storage Shed.
- Weatherproof – UV protected.
- Lockable with a padlock (Padlock not included in package).
- Integrated support for shelf, in case a shelf is added (Shelf not included in package).
- Do not keep heavy items against the walls, as this may cause distortion.
- Avoid storing flammable, hazardous, and hot items that may deteriorate the plastic.
- It is strictly not allowed for children to play inside the box as it may cause suffocation.
- In case of fire, do not attempt to extinguish any burning polypropylene with water.

LIMITED 2 - YEAR WARRANTY

Cosmoplast has built its reputation through its commitment to bringing quality, durability, and innovation to its products since 1970. We ensure that the product confirms to highest quality and reliability standards before it reaches the customer. However, in case any defect is noticed during assembly or usage, please contact us through email, social media, or by phone. Our warranty is valid for two years from the initial date of purchase, and a proof of purchase should be presented. Damages caused by: Use of force, incorrect assembly, use of heat, neglect, spilling any form of hazardous liquid, storing above capacity, and natural disasters are excluded from the warranty.

PRODUCT LIABILITY CLAUSE

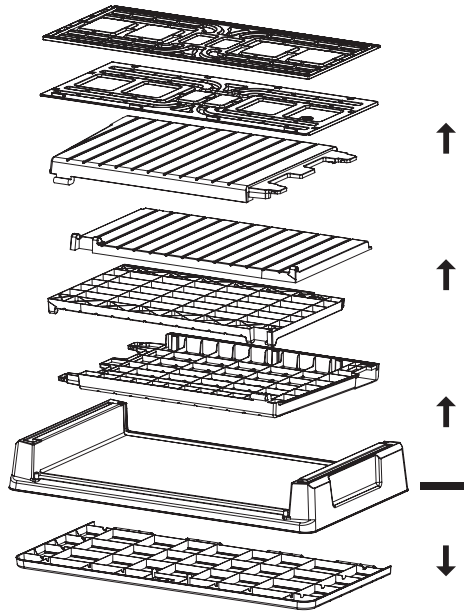
Cosmoplast shall not be responsible for any injury caused to the user during assembly, usage, and possession.

Parts	Pieces
Base (B)	1
Back Cover (BC)	2
Top Cover (TC)	1
Side Cover Right (SCR)	1
Side Cover Left (SCL)	1
Front Door Right (FDR)	1
Front Door Left (FDL)	1
Hinge (HNG)	1
Locks (L1) (L2)	2
Handles (H)	2
Screws (S1) 24mm	16
Screws (S2) 15mm	4

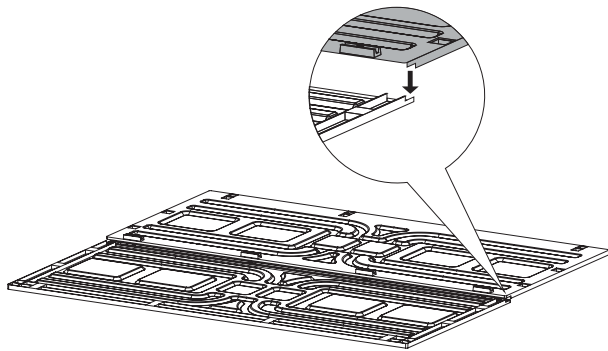
Please contact Cosmoplast if you have any problem or discover any missing parts.

For further identification of the parts, please refer to the engravings of the part names on the inner side of the parts

Unpacking



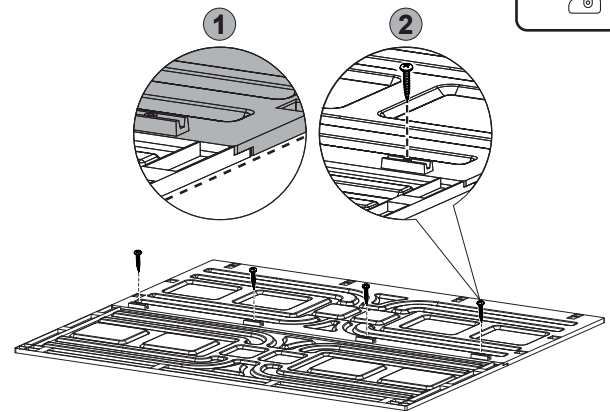
1



Parts Required

BC x 2

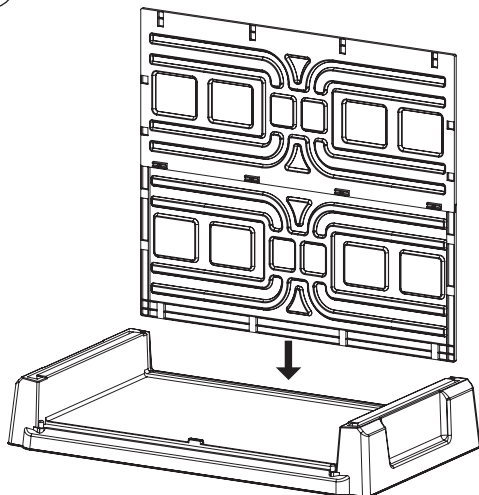
2



Parts Required

S x 4

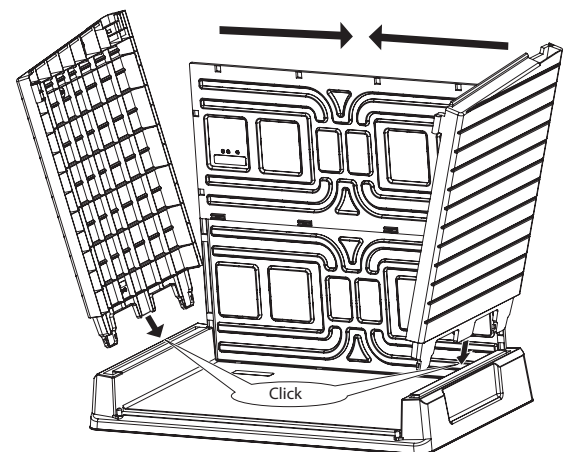
3



Parts Required

B x 1

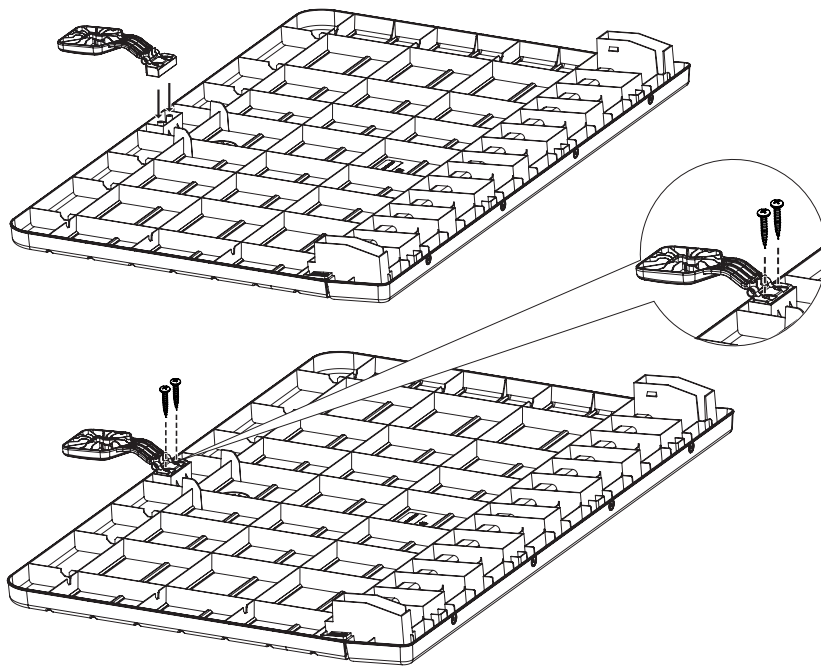
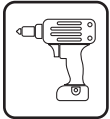
4



Parts Required

SCR x 1 SCL x 1

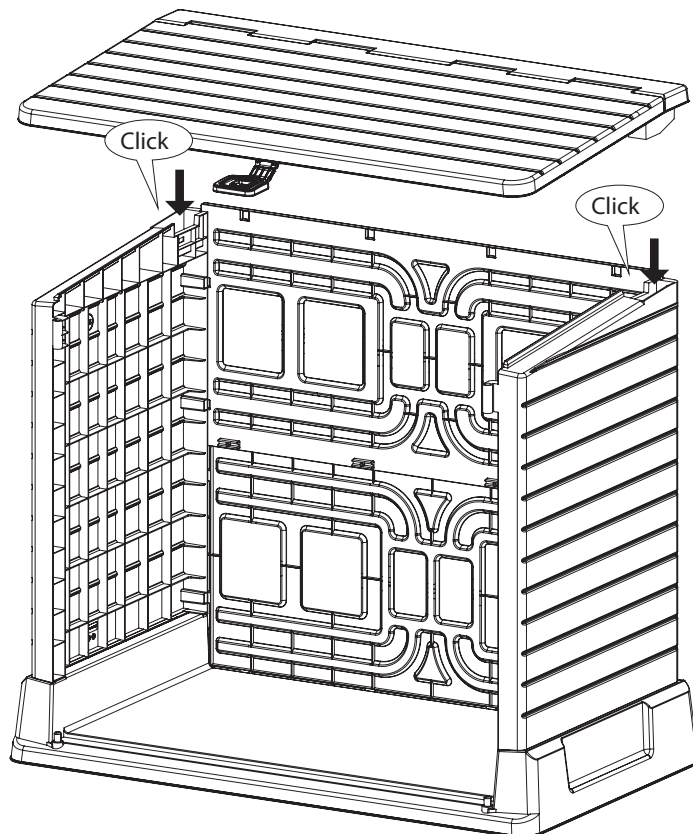
5



Parts Required

S1 x 2 HNG x 1 TC x 1

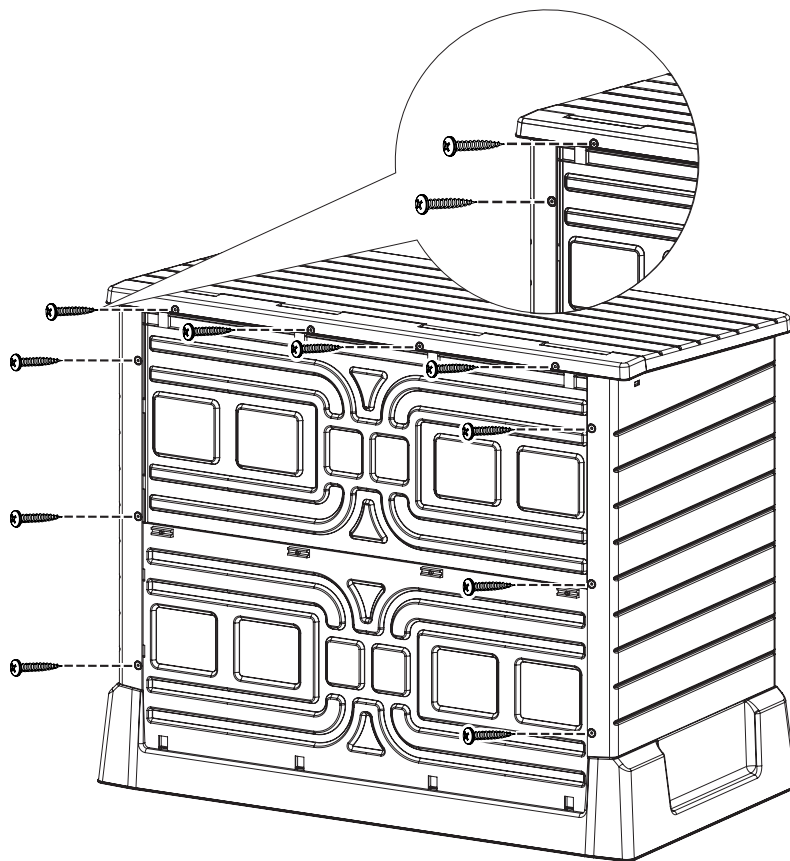
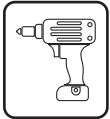
6



Parts Required

TC x 1

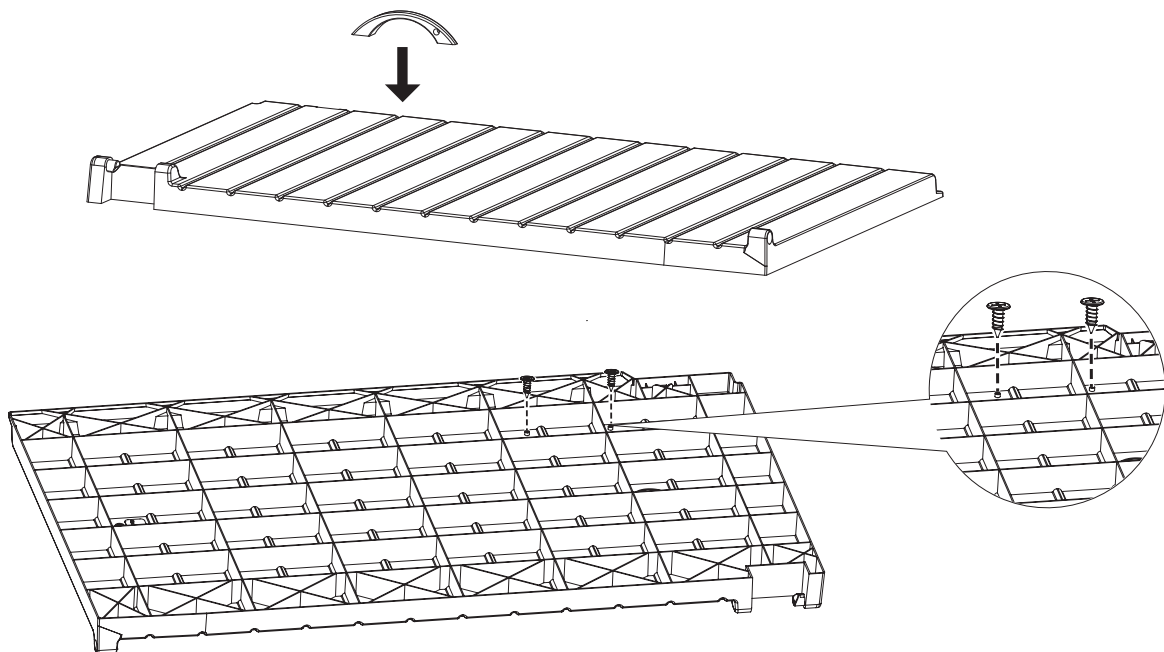
7



Parts Required

S x 10

8

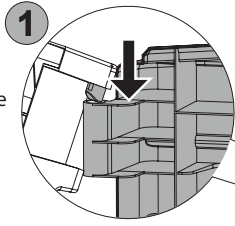


Parts Required

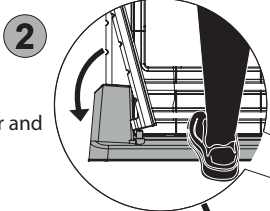
H x 2 **S** x 4 **FDR** x 1 **FDL** x 1

9

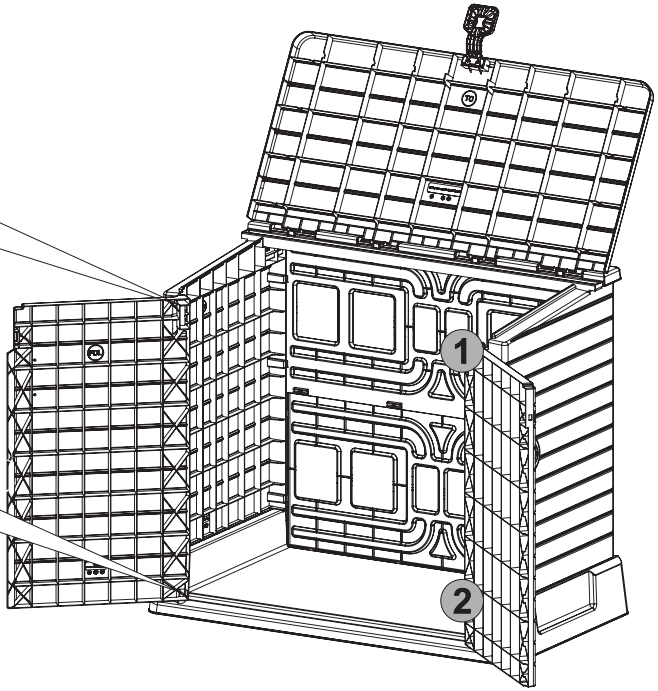
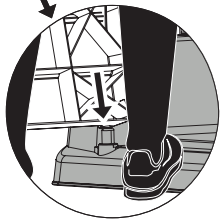
Tilt the Door to engage in the Side Cover



Slightly tilt the Door and the Side Cover



Join the Door to the Base

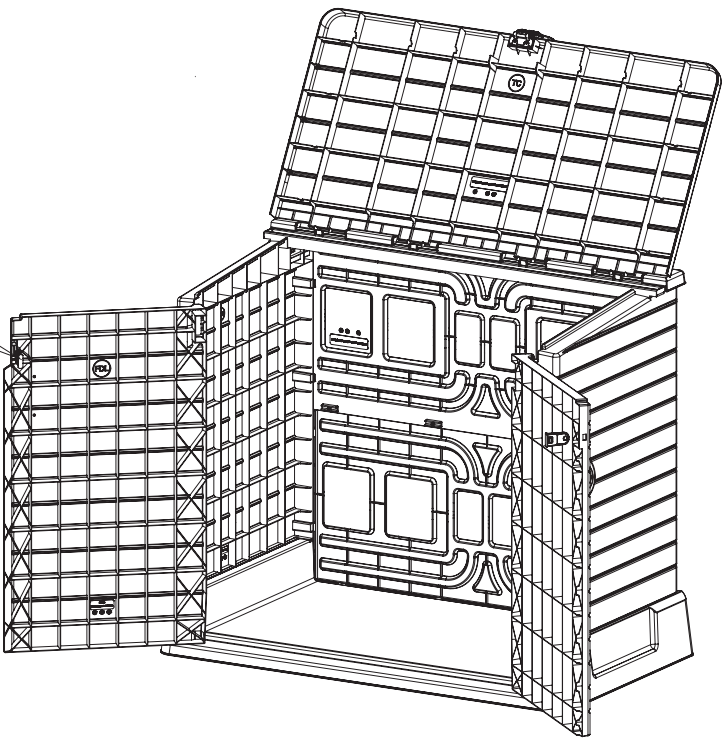
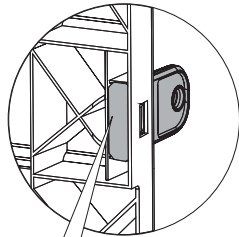
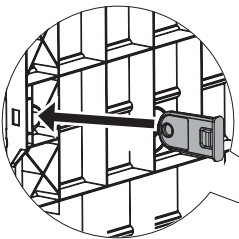


Note: Before joining the bottom of the Door to the Base, make sure the top of the Door is engaged in the Side Cover.

Parts Required

FDR x 1 FDL x 1

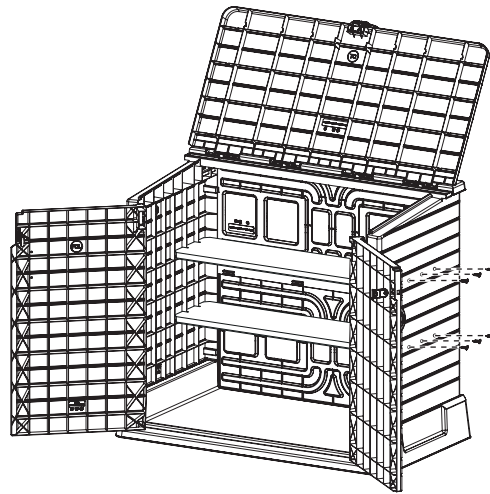
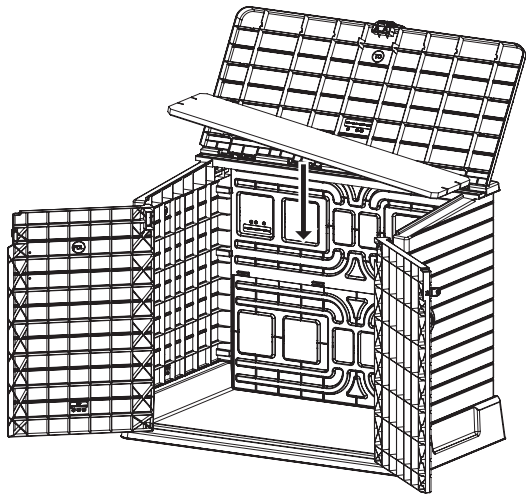
10



Parts Required

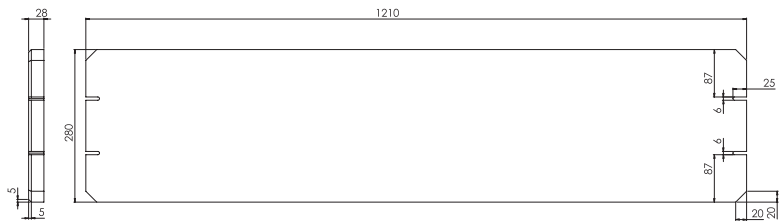
L1 x 1 L2 x 1

11 Optional DIY Custom Shelves Installation



Shelves and screws are not included in the packing

Mark the locations of the screws to align each shelf, and screw tightly in position /



It is recommended to use 6 screws per shelf (3 on each side)

12 Directions of Use

