

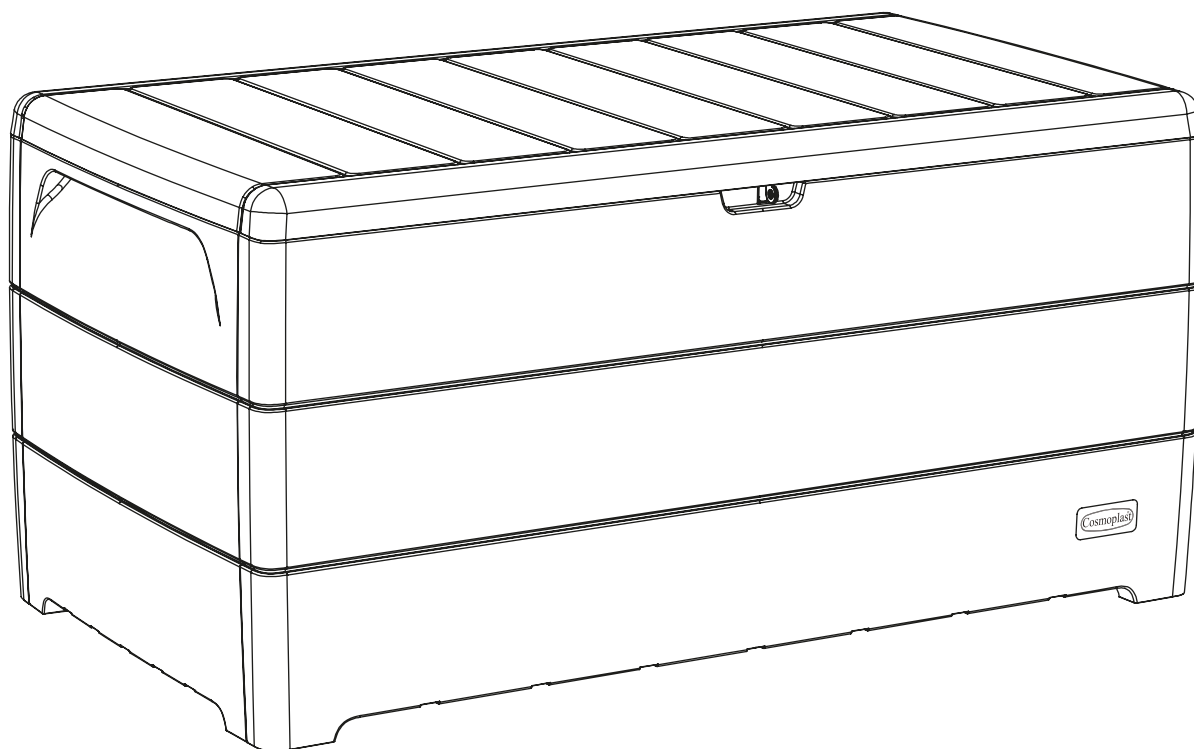


**CEDARGRAIN**  
*Collection*

## User Manual

# STORAGE BOX

## 416L



**WARNING**  
Make sure fingers don't get squeezed  
between parts during assembly

## CARE AND SAFETY

---

- To avoid any sort of damage, read and implement every step in the instruction manual carefully.
- Keep fingers away from connectors to avoid risk of injury during assembly.
- Be careful when handling components, some parts have metal edges. It is recommended that you always wear work gloves during assembly.
- Keep fingers away from the edge of the box and dampers while closing the lid to avoid risk of injury.
- Do not place more than 220 kg of weight load on top of the Storage Box.
- It can accommodate seating for 2 persons on the Storage Box.
- It is strictly NOT recommended to stand on the Storage Box as the force can cause damage to the product and serious injuries to the user.
- Storage Box 416L can withstand a maximum load of 50 kg of internal storage.
- Weatherproof – UV protected.
- Lockable with a padlock (Padlock not included in package).
- Avoid storing flammable, hazardous, and hot items that may deteriorate the plastic.
- Do not use the product for carrying items.
- It is strictly not allowed for children to play inside the box as it may cause suffocation.
- In case of fire, do not attempt to extinguish any burning polypropylene with water.

## LIMITED 2-YEAR WARRANTY

---

Please contact Cosmoplast if you have any problem or discover any missing parts. Cosmoplast has built its reputation through its commitment to bringing quality, durability, and innovation to its products since 1970. We ensure that the product conforms to highest quality and reliability standards before it reaches the customer. However, in case any defect is noticed during assembly or usage, please contact us through email, social media, or by phone. Our warranty is valid for two years from the initial date of purchase, and a proof of purchase should be presented. Damages caused by: Use of force, incorrect assembly, use of heat, neglect, spilling any form of hazardous liquid, storing above capacity, and natural disasters are excluded from the warranty.


## PRODUCT LIABILITY CLAUSE

---

Cosmoplast shall not be responsible for any form of damage by any cause to the goods placed inside the Storage Box, nor any injury caused to the user during assembly, usage, and possession.

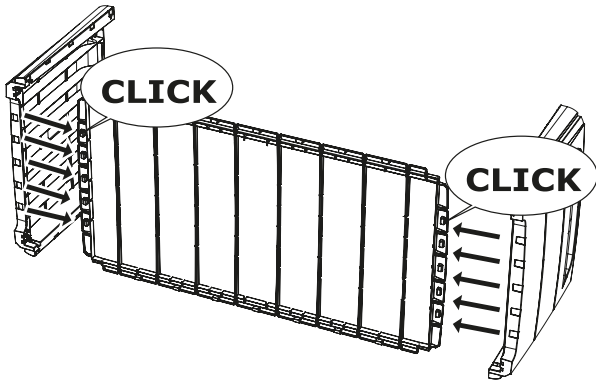


Parts	Pieces
Front & Back <b>(FB)</b>	2
Left & Right <b>(LR)</b>	2
Top <b>(T)</b>	1
Bottom <b>(B)</b>	1
Cap - 1 <b>(C1)</b>	2
Cap - 2 <b>(C2)</b>	2
Back Stopper <b>(BS)</b>	1
Lift Assist Damper <b>(D)</b>	2
Top Latch <b>(TL)</b>	1
Front Latch <b>(FL)</b>	1
Screws <b>(S)</b>	10

 Please contact Cosmoplast if you have any problem or discover any missing parts.

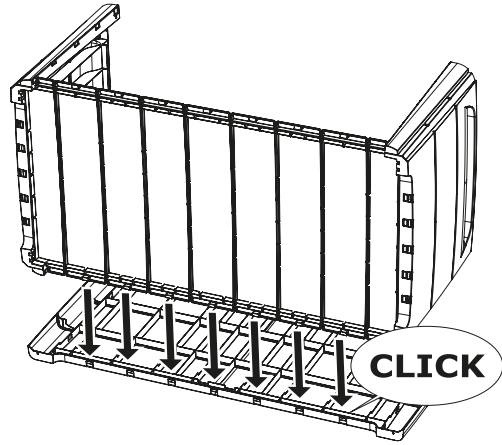
For further identification of the parts, please refer to the engravings of the part names on the inner side of the parts.

### Step 1



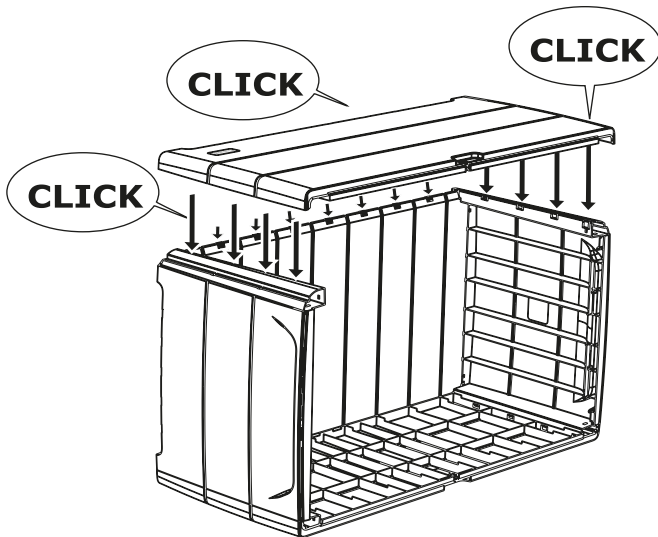
(LR) x 2 (B) x 1 Parts Required

### Step 2



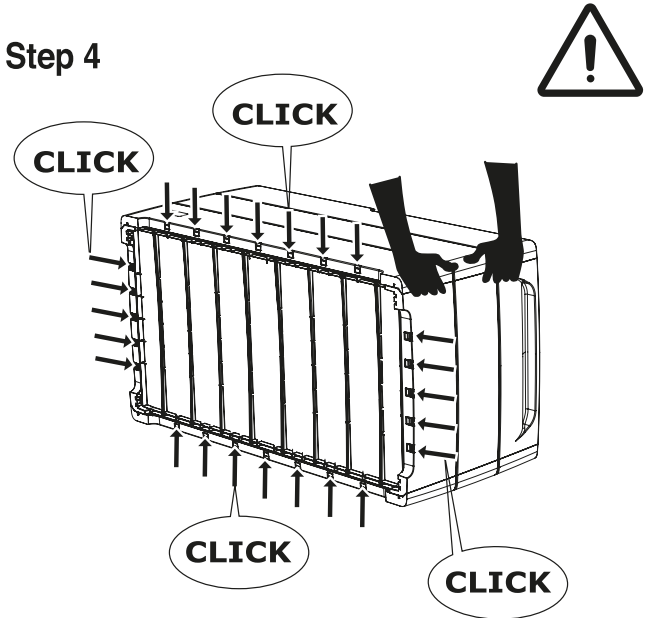
(FB) x 1 Parts Required

### Step 3

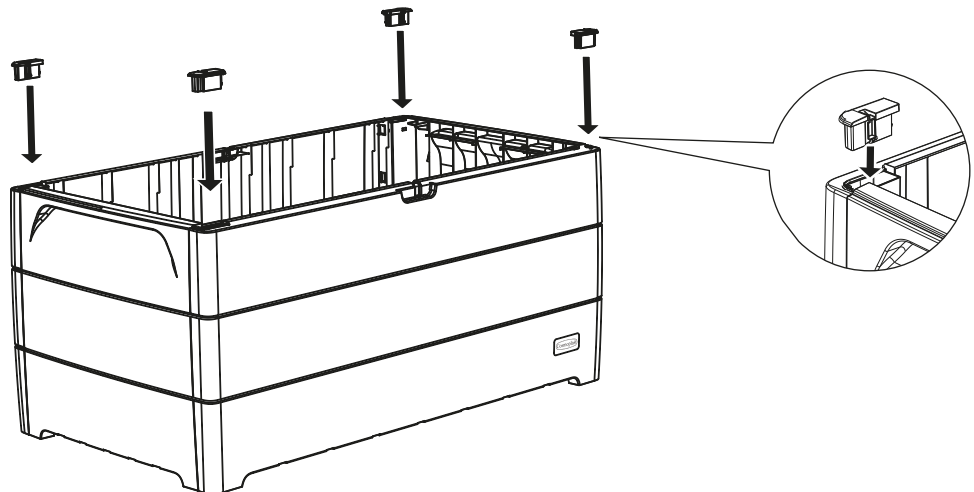


(FB) x 1 Parts Required

### Step 4

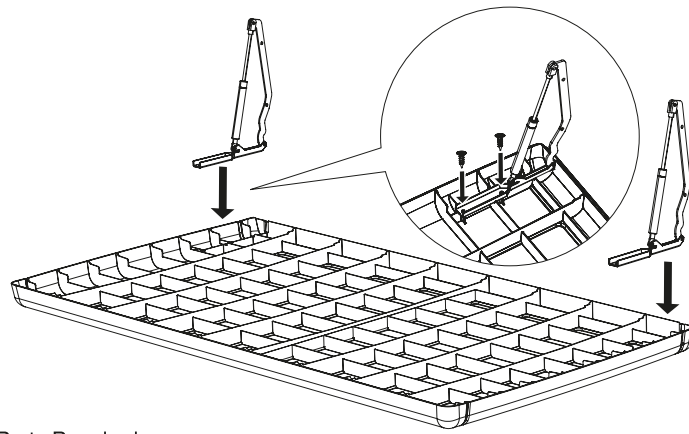


### Step 5



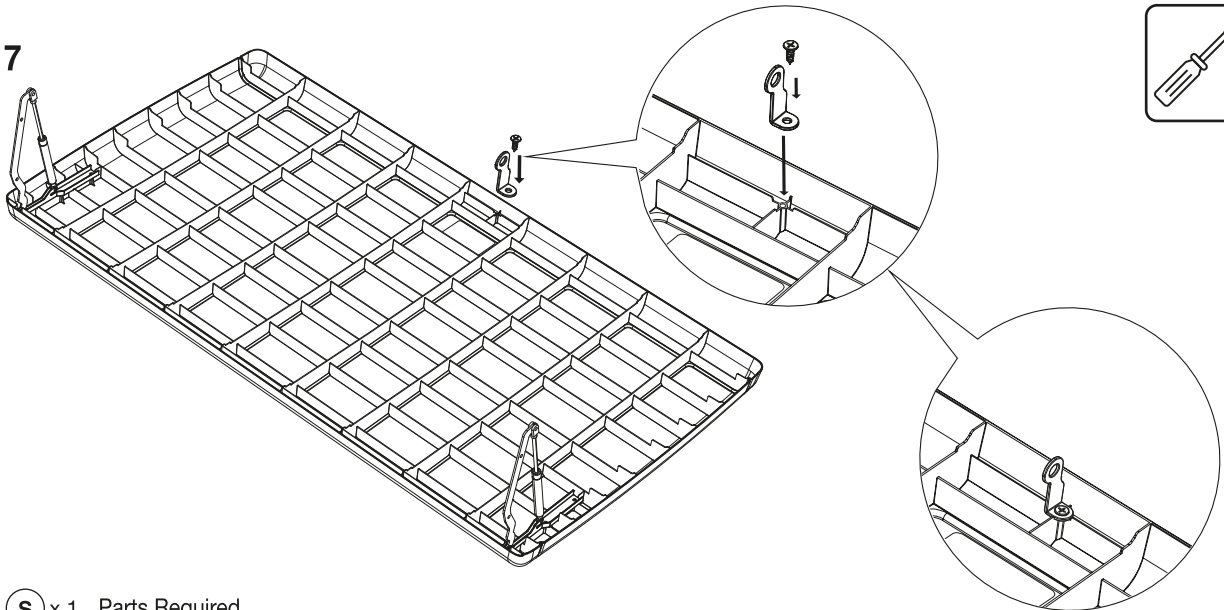
(C1) x 2 (C2) x 2 Parts Required

### Step 6



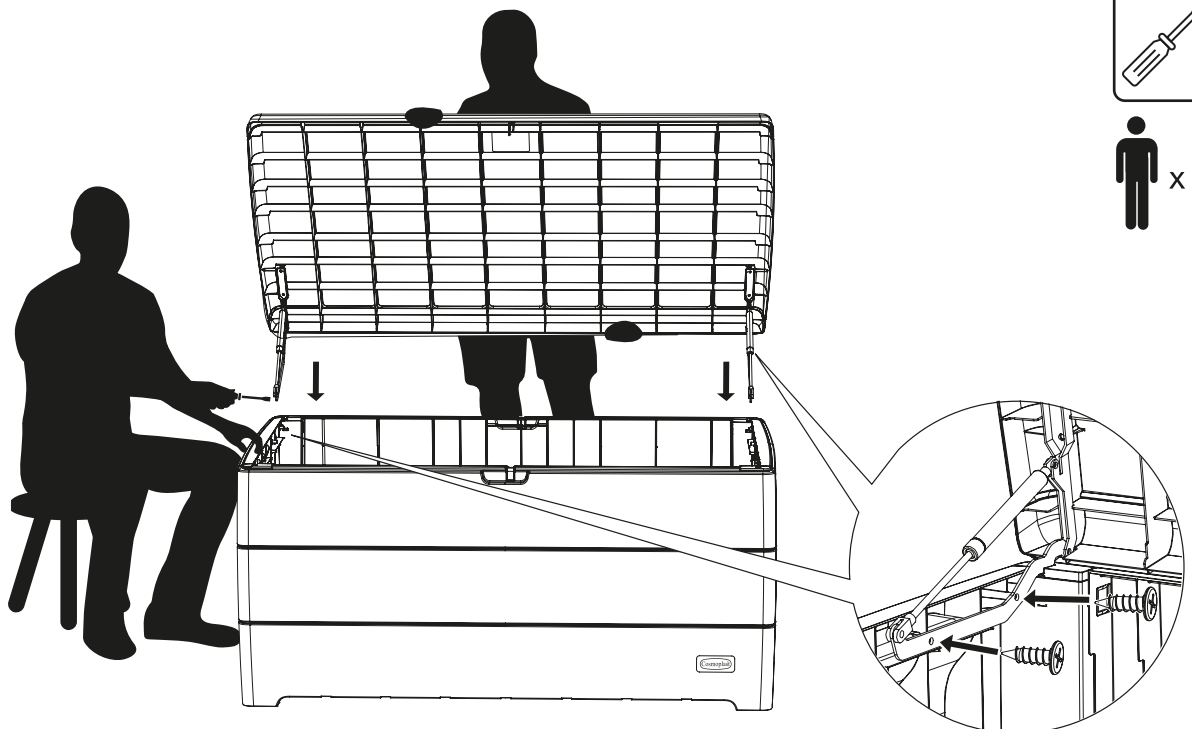
(T) x 1 (D) x 2 (S) x 4 Parts Required

### Step 7



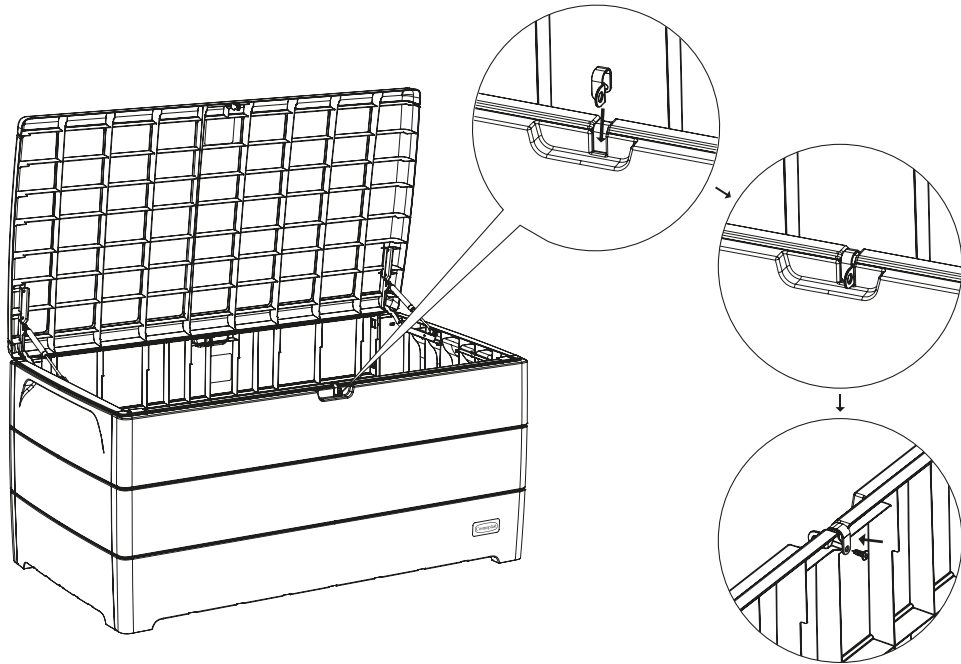
(TL) x 1 (S) x 1 Parts Required

### Step 8



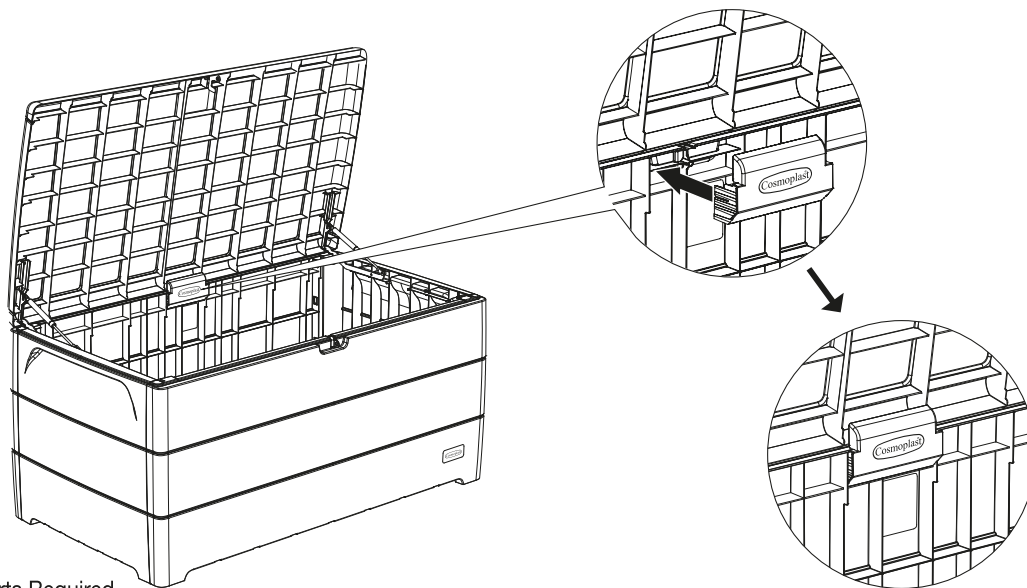
(S) x 4 Parts Required

## Step 9



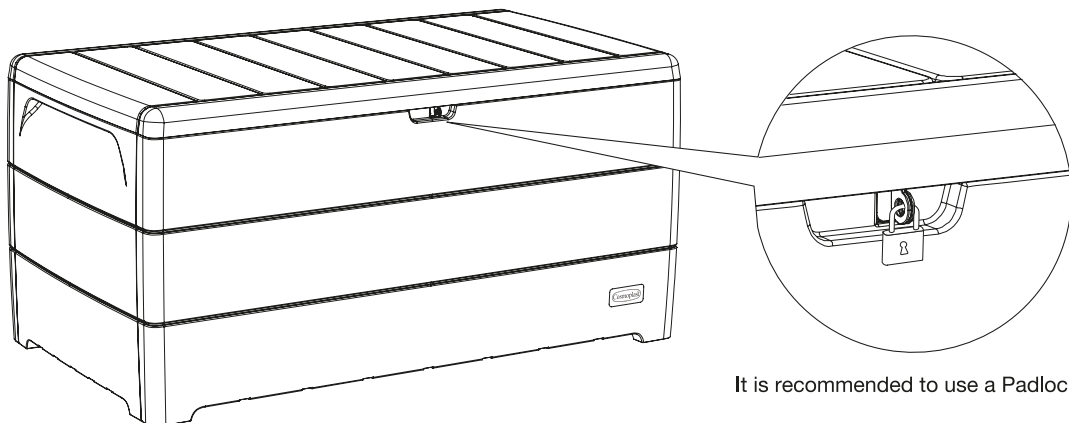
Ⓛ x 1 Ⓢ x 1 Parts Required

## Step 10



ⓑ x 1 Parts Required

## Step 11 Optional



It is recommended to use a Padlock



*Trusted Quality Since 1970*

Cosmoplast Industrial Co. (L.L.C.)

P.O Box: 50488, Dubai, United Arab Emirates

☎ +971-4-8800333 ✉ cplast@cosmoplast.com

🌐 [www.cosmoplast.com](http://www.cosmoplast.com)  [CosmoplastOfficial](#)  [CosmoplastOfficial](#)