

ACCESSORIES



Rope Ratchet



AC Power Cord

Optional:



Dimming Cord



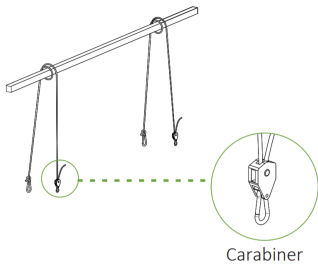
AC Connection Cord



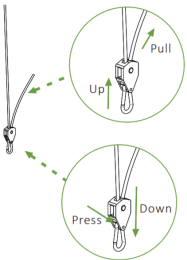
Dimming Connection Cord

INSTRUCTIONS

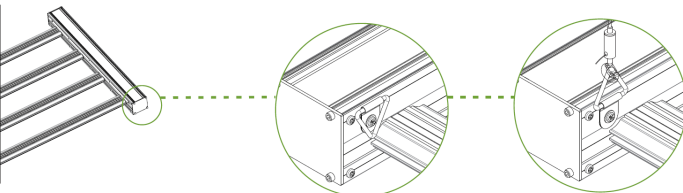
1) Hang the rope ratchets on the tent pole or mounting surface.



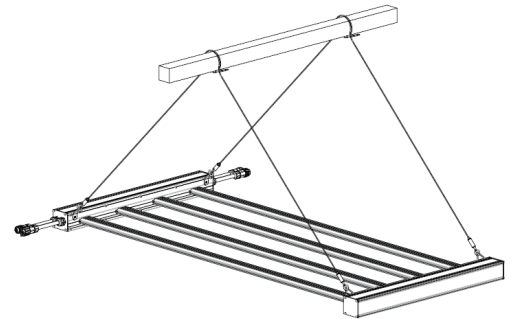
2) Pull the rope to adjust the fixture up or press the lock to release or lower down the fixture.



3) Clip the carabiners into the rings on the light.



4) Assembly complete.

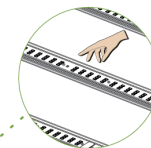


To connect the power cord, align the terminals of the cord, plug in and twist to secure.



To disconnect the power cord, twist the two halves away from each other first, then pull apart.

Warning



Please do not touch the LEDs to avoid damage when installing the fixture.



Please do not put anything on the LEDs to prevent damaging the fixture.

