

Nero

MECCA WALL BASIN MIXER

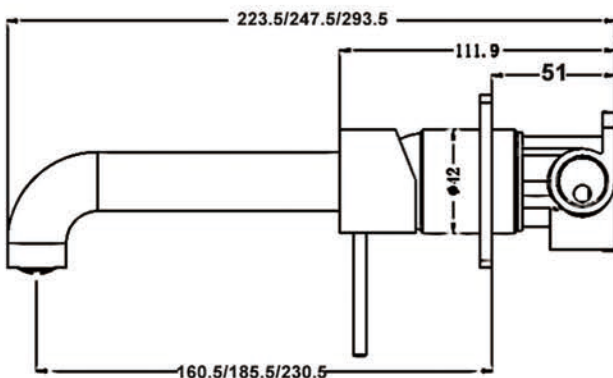
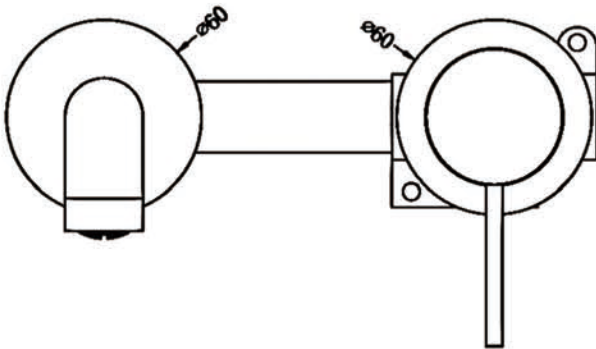


SPECIFICATION

PRODUCT CODE	YSW2219-07C
WELS RATING	5 STAR 6L/MIN
WATERMARK LICENSE	WM-060073
TEMPERATURE RATING	MIN 1°C-MAX 75°C
PRESSURE RATING	MIN 150KPa-MAX 500KPa

FINISH

	NR221907c (160/185/230) CH chrome
	NR221907c (160/185/230) MB matte black
	NR221907c (160/185/230) BN brushed nickel
	NR221907c (160/185/230) GM gun metal
	NR221907c (160/185/230) BG brushed gold



MAINTENANCE AND CARE

All surfaces should be cleaned with mild liquid detergent or soap and water.

Do not use cream cleaners or citrus based cleaning products, as they are abrasive.

Use of unsuitable cleaning agents may damage the surface. Any damage caused in this way will not be covered by warranty.

PACKAGING INCLUDES

- 1x mixer body
- 1x handle
- 1x spout
- 2x plate
- 1x accessories pouch

Dimensions are nominal measurements only.



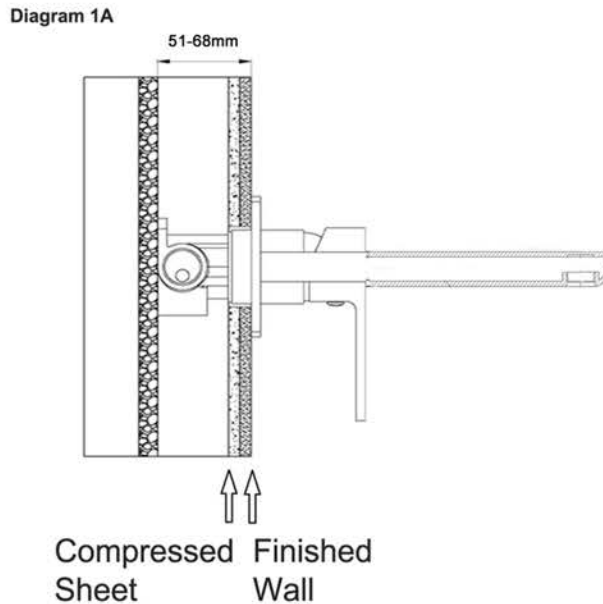
Versions: 2019.12

www.nerotapware.com.au

INSTALL INSTRUCTION

Dimension

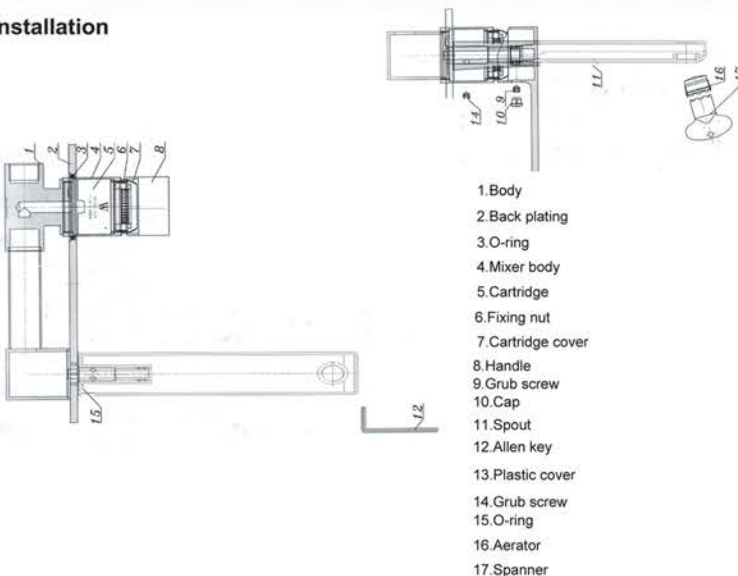
All dimensions are in millimeters



1. Proceed to mount complete assembly refer to above diagram 1A for setting assembly depth.
2. Connect hot and cold pipes to concealed valve.
3. Pressure test for leaks.
4. Water proof installation then proceed to fit off decorating plate, spout and handle.

EXPLOSIVE VIEW

Installation



To remove cartridge

⚠ First shut off the water supply to the tap.

- 1: Remove cap from the handle.
- 2: Loosen the grub screw in handle, but do not remove it.
- 3: Take off the handle, unscrew the cartridge cover.
- 4: Using a correct size spanner unscrew the retaining nut.
- 5: Pull the cartridge.
- 6: Replace cartridge and reassemble mixer.