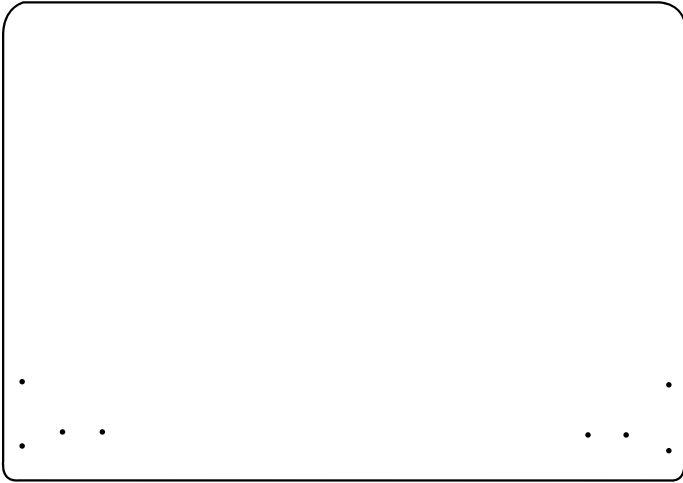


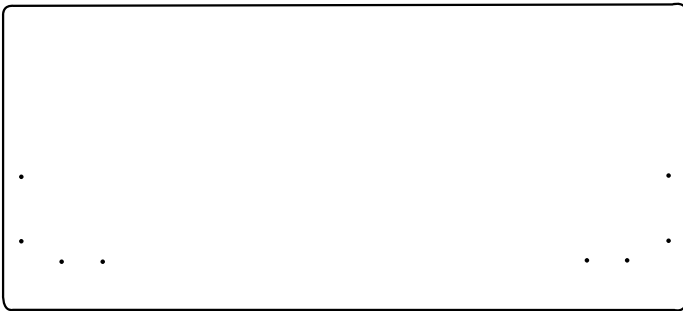
BODHI

TWIN BED INSTRUCTIONS

A.QTY1



B.QTY1



E.QTY4

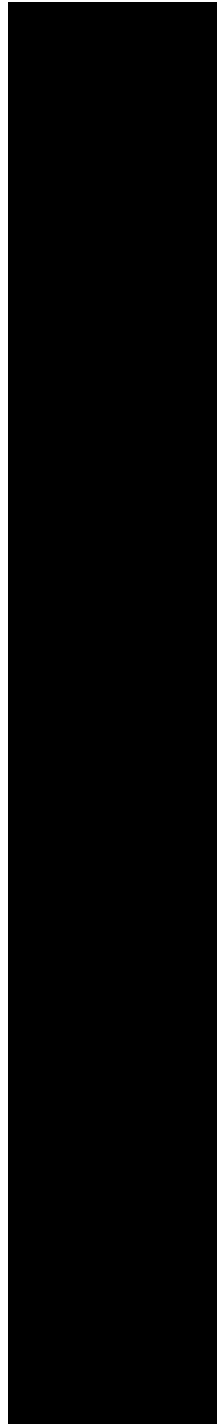


F.QTY4



G.QTY4

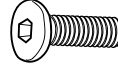
I.QTY2



J.QTY2



K.QTY40



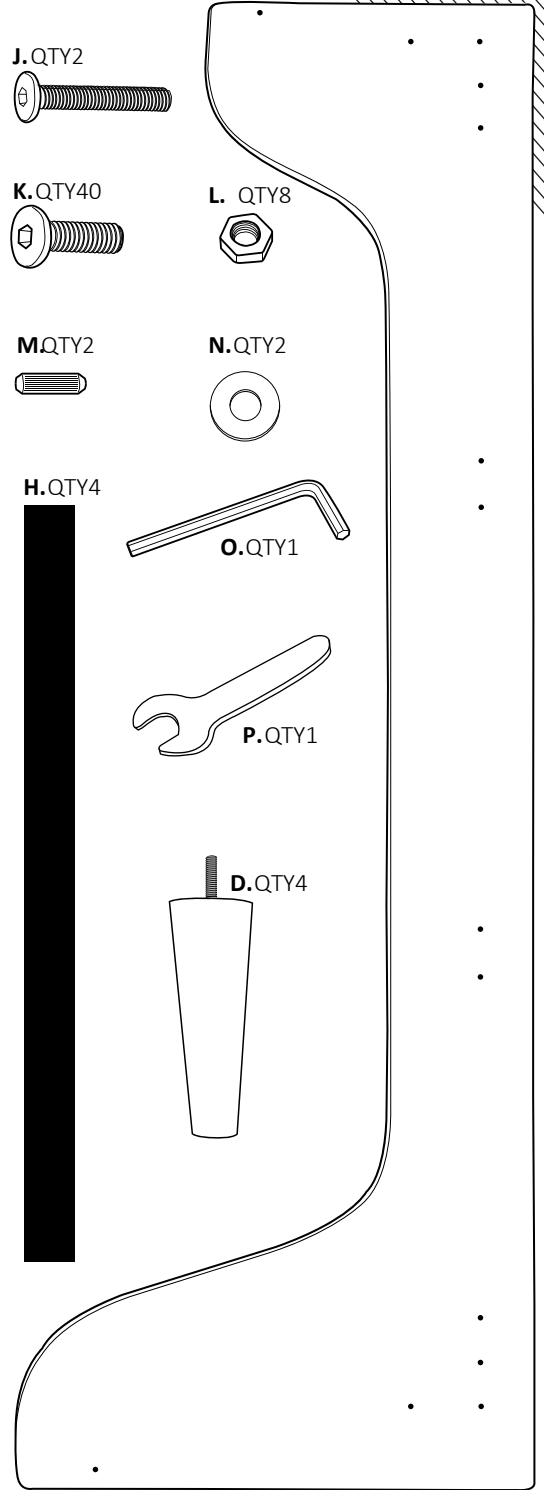
M.QTY2



H.QTY4



C.QTY2



L. QTY8



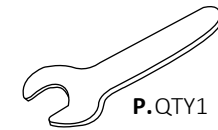
N.QTY2



O.QTY1



P.QTY1



D.QTY4



SECOND
STORY
HOME

BOX CONTENTS

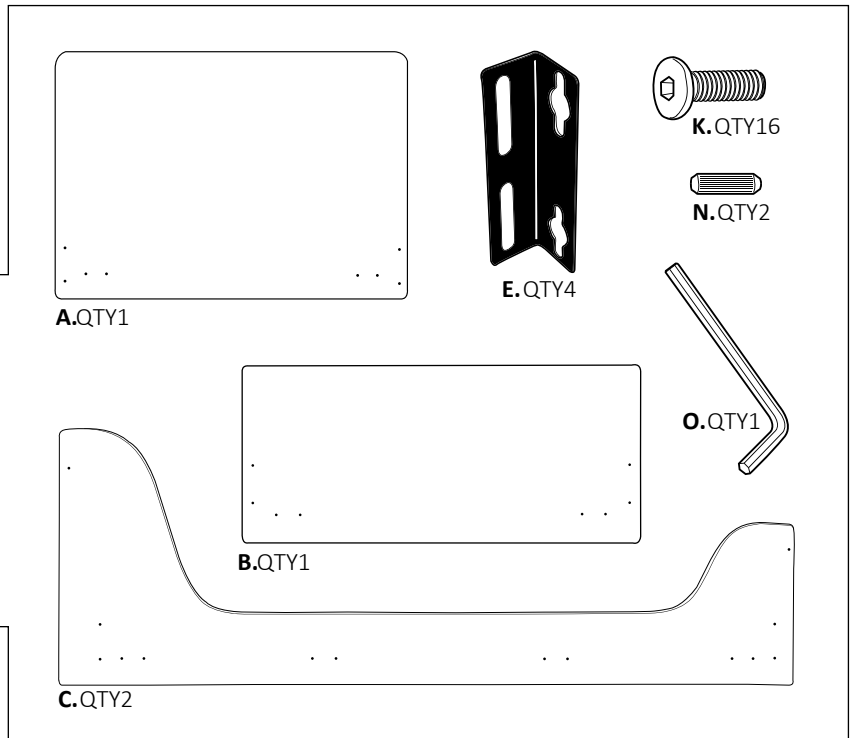
- | | |
|--------------------------|----------------------|
| A. HEADBOARD x1 | I. BOTTOM PANEL x2 |
| B. FOOTBOARD x1 | J. ALLEN BOLT 2" x2 |
| C. SIDE PANEL x2 | K. ALLEN BOLT 1" x40 |
| D. LEGS x4 | L. NUT x4 |
| E. SIDE BRACKET x4 | M. DOWEL x2 |
| F. BOTTOM BRACKET x4 | N. WASHER x2 |
| G. STABILIZER BRACKET x4 | O. ALLEN WRENCH x1 |
| H. WOODEN STABILIZERx2 | P. WRENCH x1 |

BODHI

TWIN BED INSTRUCTIONS

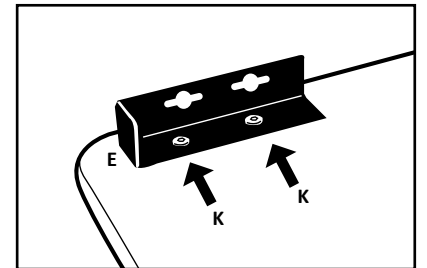
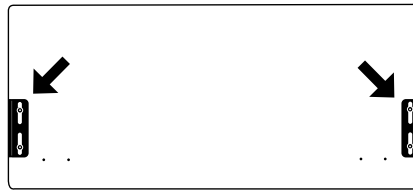
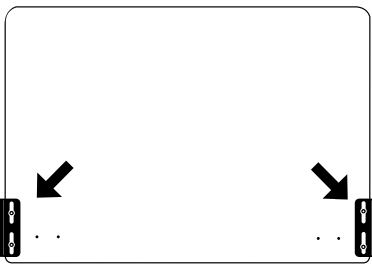
WHAT YOU WILL NEED

- A. HEADBOARD x2
- B. FOOTBOARD x16
- C. SIDE PANELS x2
- E. SIDE BRACKETS x4
- M. DOWEL x2
- K. ALLEN BOLT 1" x16
- O. ALLEN WRENCH x1



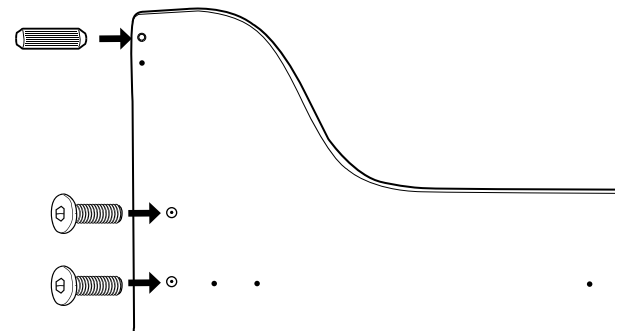
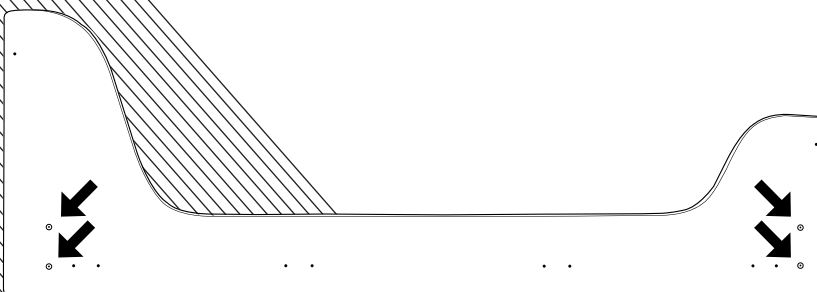
STEP 01

Set Side Bracket (E) on the Headboard (A) and the Footboard (B) as shown below. Place bracket so the two holes are against the fabric. Next, place the 1" Allen Bolt (K) into the two holes and tighten halfway using Allen Wrench (O). Do not tighten all the way. Repeat until all four brackets have been placed on both the Headboard (A) and Footboard (B).



STEP 02

Place 1" Allen Bolts (K) on the Side Panel (C) on the furthest holes as shown below. Screw in halfway as they will be tightened later. Repeat until both Side Panels have four bolts on each of them. Place Dowel (M) in predrilled top hole on smallest curve of the Side Panel as demonstrated below.

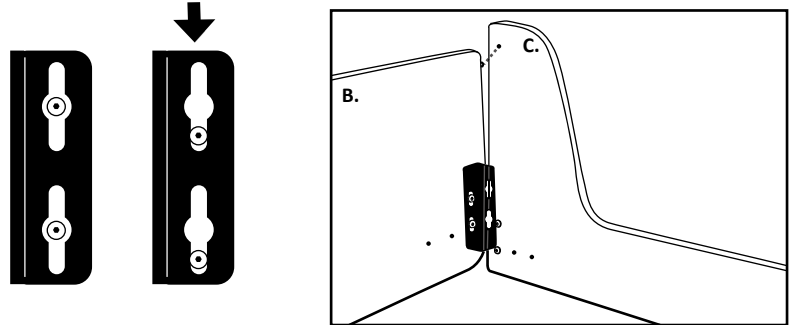


BODHI

TWIN BED INSTRUCTIONS

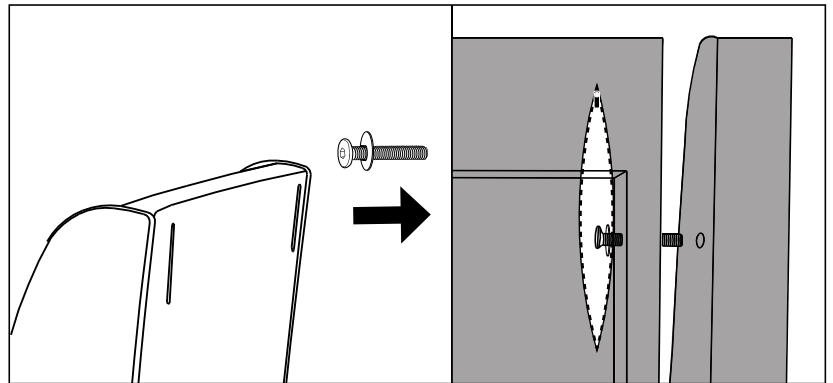
STEP 03

Attach Side Panel (C) to Side Bracket (E) by sliding Bolt inside larger holes before pressing down to lock in place, you must **FIRST** align the dowel to the dowel hole on the Footboard (B). Once it is aligned, and the dowel is inserted, tighten all Bolts using the Allen Wrench (I). **DO NOT OVERTIGHTEN.**



STEP 04

Located on the back of the Headboard are two zippers. Open the zipper, moving past the cut foam, there will be a hole that the Allen Bolt 2" (J) will fit. Align that with the Side Panel, place it in the hole and tighten.



WHAT YOU WILL NEED

- F. BOTTOM BRACKETS x4
- J. ALLEN HEAD 2" x2
- K. ALLEN HEAD 1" x16
- O. ALLEN WRENCH x1

J.QTY2



N.QTY2



K.QTY16



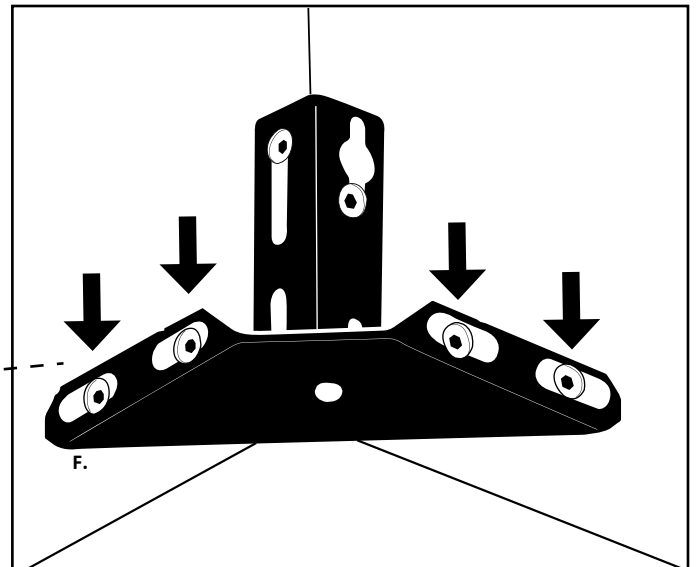
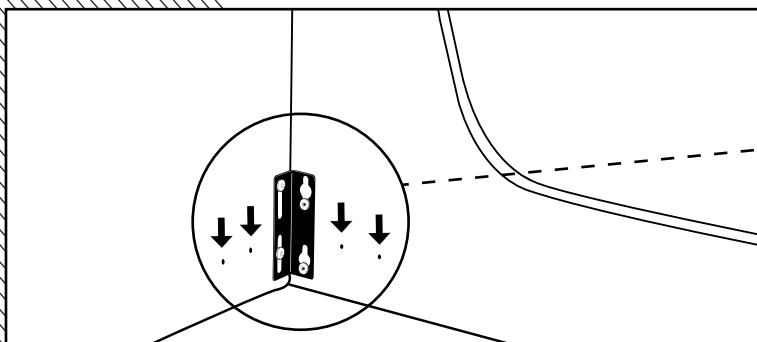
O.QTY1



F.QTY4

STEP 05

Once the twin bed is assembled, install Bottom Brackets (F) in each corner between the headboard and the footboard. Using the Allen Head 1" (K) attach the Bottom Bracket (F) on all four corners, with the lip of the bracket pointed up. **DO NOT OVERTIGHTEN.**



BODHI

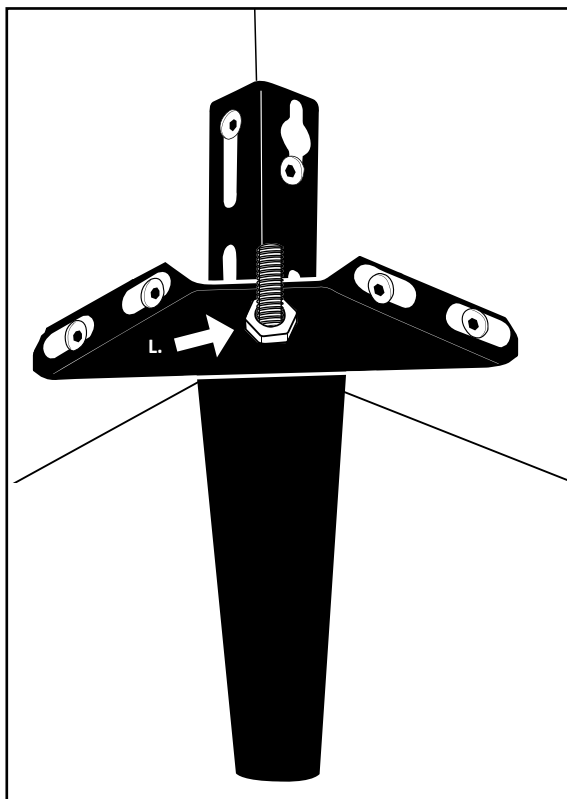
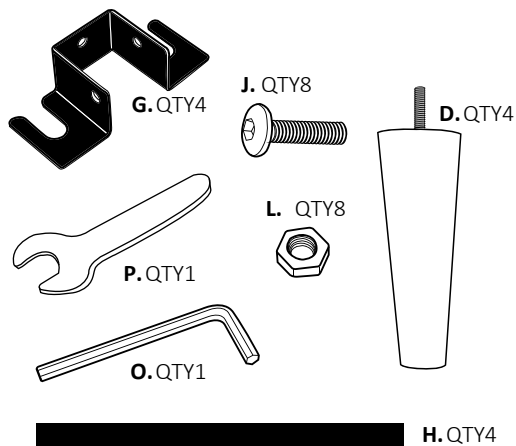
TWIN BED INSTRUCTIONS

STEP 06

FLIP BED ON IT'S SIDE (**MAY REQUIRE TWO PEOPLE**). MAKE SURE THE FLOOR IS CLEAN FROM DIRT AND DEBRIS BEFORE DOING THIS. ONCE FLIPPED, PLACE THE LEG (D) BOLT THROUGH THE BOTTOM BRACKET AND USE NUT (M) AND WRENCH (P) TO SECURE LEG. ONCE LEGS ARE ATTACHED, FLIP THE BED BACK ONTO IT'S LEGS.

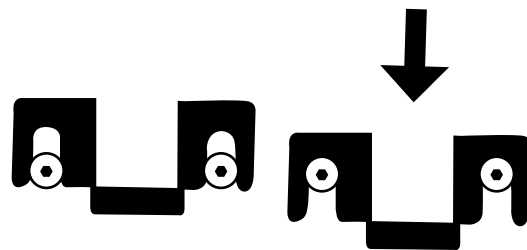
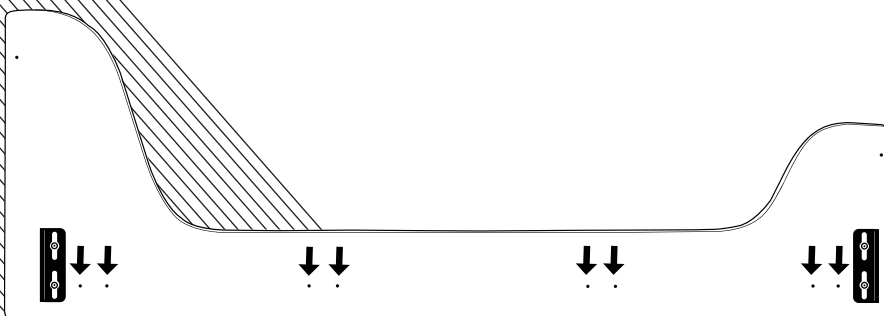
WHAT YOU WILL NEED

- D. LEGS x4
- G. STABILIZER BRACKET x4
- H. WOODEN STABILIZER x4
- J. ALLEN BOLT 1" x8
- L. NUT x4
- O. ALLEN WRENCH x1
- P. WRENCH x1



STEP 07

PLACE 1" ROUND BOLTS (K) IN THE FOUR HOLES ON THE SIDE PANEL SHOWN BELOW. **DO NOT TIGHTEN, LEAVE BOLTS LOOSE.** SLIDE THE STABILIZER BRACKET (G) OVER THE TWO BOLTS AND TIGHTEN. REPEAT FOR ALL FOUR BRACKETS. ONCE STABILIZER BRACKETS ARE SECURED, PLACE THE TWO WOODEN STABILIZER (H) INTO THE SLOTS OF THE BRACKETS.



BODHI

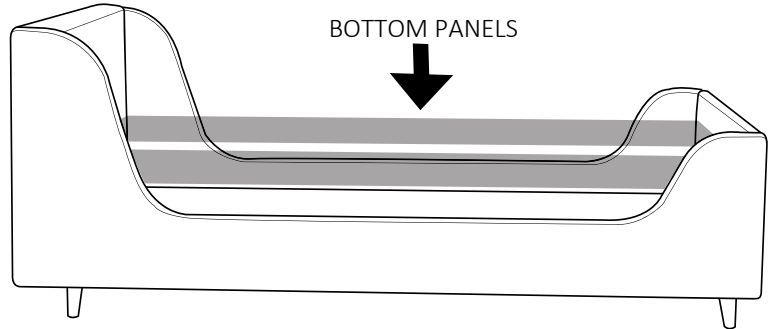
TWIN BED INSTRUCTIONS

STEP 08

THE LAST STEP TO BUILDING THE BODHI TWIN BED IS TO LAY THE BOTTOM PANELS DOWN, SIDE BY SIDE, ONTO THE WOODEN SUPPORTS. CHECK ALL BOLTS TO BE SURE THAT THEY ARE SECURED BEFORE PLACING MATTRESS DOWN.

WHAT YOU WILL NEED

1. BOTTOM PANEL x2



CARE AND MAINTENANCE

PERIODICALLY CHECK YOUR BED FOR ANY LOOSE BOLTS AND SCREWS AND TIGHTEN WHERE NEEDED. IF BED IS DAMAGED, DO NOT USE. CONTACT US FOR REPLACEMENT PARTS. SPOT CLEAN ONLY. AVOID EXCESS MOISTURE.

ONE YEAR LIMITED WARRANTY

DEFECTIVE PARTS WILL BE REPLACED WITH A ONE YEAR PERIOD FROM DATE OF ORIGINAL PURCHASE. MISSING PARTS WILL BE REPLACED WITHIN 30 DAYS FROM THE DAY OF ORIGINAL PURCHASE. KARLA DUBOIS WARRANTS ONLY NEW UNITS PURCHASED IN IT'S ORIGINAL PACKAGING. THE WARRANTY DOES NOT COVER USED, SECOND HAND OR DEMOS AND IS NON-TRANSFERABLE.

ANY DAMAGED OR DEFECTIVE PART THAT RESULTS FROM NORMAL WEAR AND TEAR, ABUSE, NEGLIGENCE, IMPROPER USE OR ALTERNATION TO THE FINISH, DESIGN AND HARDWARE OF THE BED, OR THE ASSEMBLY OF THIS PRODUCT ARE NOT COVERED. THE SPECIFIC LEGAL RIGHTS OF THIS WARRANTY MAY VARY FROM STATE TO STATE. SOME STATES DO NOT ALLOW ANY EXCLUSION OR LIMITATION OF INCIDENTAL OR CONSEQUENTIAL DAMAGES. SOME STATES DO NOT ALLOW LIMITATIONS ON HOW LONG AN IMPLIED WARRANTY LASTS.

CONTACT US

PLEASE VISIT OUR WEBSITE AT WWW.SECONDSTORYHOME.COM THERE, YOU CAN FIND MORE PRODUCT INFORMATION, REGISTER YOUR PRODUCT, CONTACT US OR REQUEST REPLACEMENT PARTS.

YOU CAN EMAIL OR WRITE
SUPPORT@SECONDSTORYHOME.COM

SECOND STORY HOME
1477 DAVRIL CIR
CORONA, CA 92878



SECOND
STORY
HOME