

 *sixthreezero*

ASSEMBLY GUIDE



Pave N Trail Consistent E Bike



OUR COMMITMENT

We want you to love your bike as much as we do.
If you run into any issues, no matter how small,
let us know and we'll take care of you.

SIXTHREEZERO
THETEAM@SIXTHREEZERO.COM
310.982.2877



REGISTER YOUR WHEELS

Register your e-bike so we can help you with any claims.

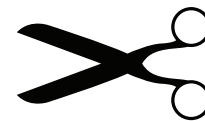
VISIT THE LINK BELOW

<http://www.sixthreezero.com/pages/register-your-bike>

Need Help? Please click or call the team@sixthreezero.com or (310) 982-2877

TOOLS YOU'LL NEED

Creating something wonderful with your own hands is basically the best feeling ever. We want you to have fun building your new bike, so there's only a few things you need to get started.



SCISSORS
(TO CUT ZIP TIE)



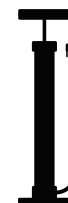
ALLEN KEYS



MULTI-TOOL



PHILLIPS SCREWDRIVER



BICYCLE TIRE PUMP

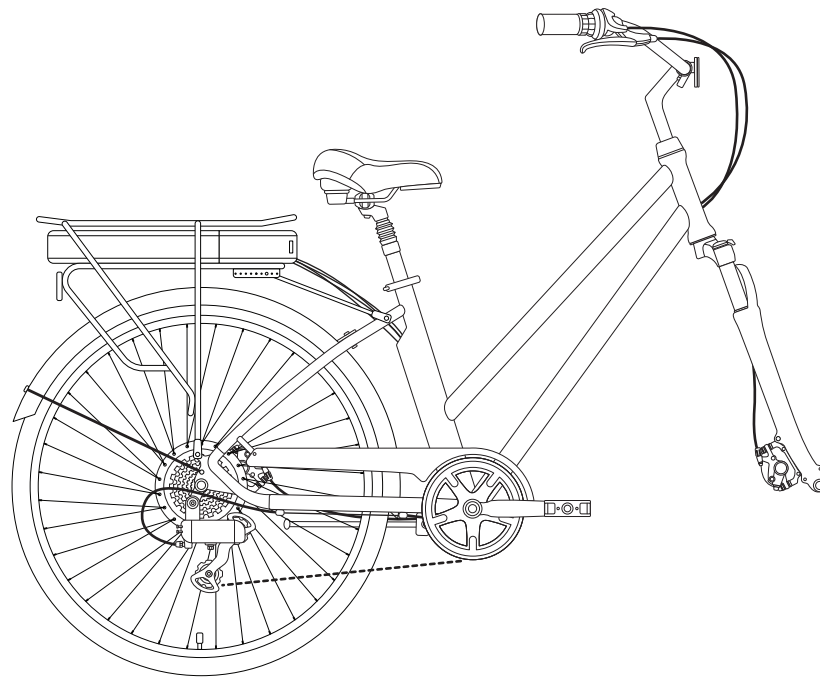
Need Help? Please click or call the team@sixthreezero.com or (310) 982-2877

WHAT'S IN EACH BOX?

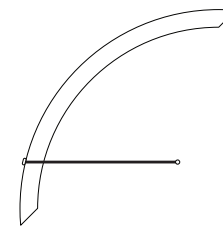
Layout all the parts in front of you.
Make sure to **remove all packaging** before you get started.

Need Help? Please click or call the team@sixthreezero.com or (310) 982-2877

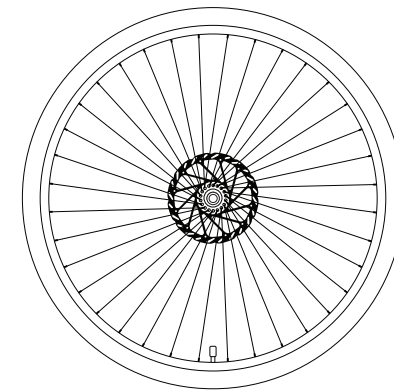
BICYCLE BOX



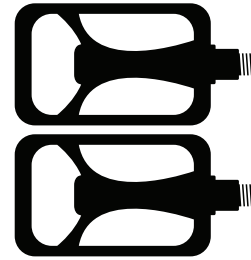
HANDLE BAR / FRAME / REAR
WHEEL AND REAR RACK SET-UP



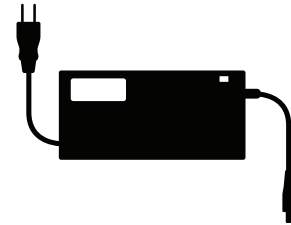
FRONT FENDER + STRUT



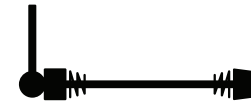
FRONT WHEEL
WITH QUICK RELEASE



PEDALS



BATTERY CHARGER



QUICK RELEASE

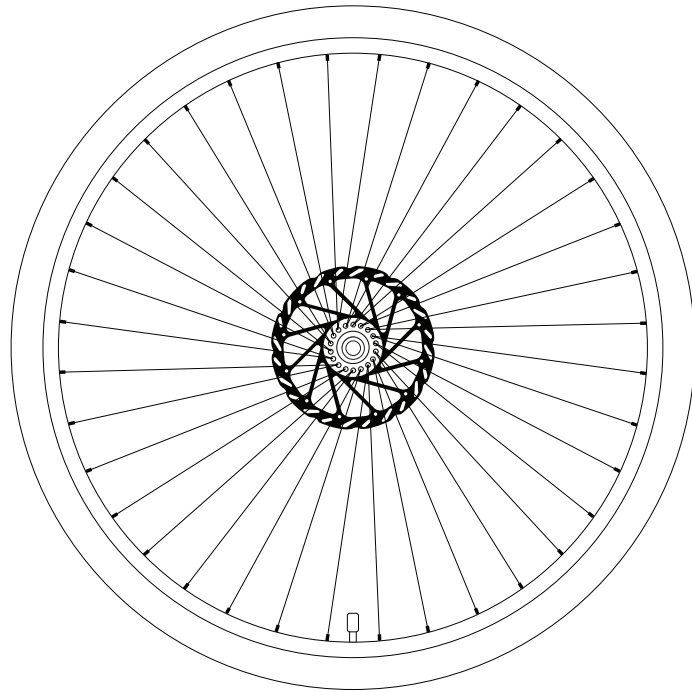


MULTI-TOOL



4,5 & 6mm ALLEN KEYS

FRONT WHEEL

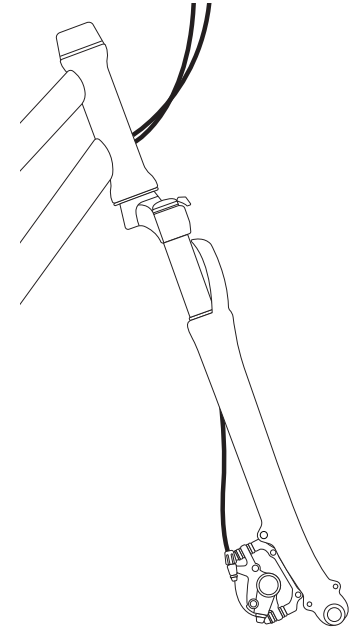
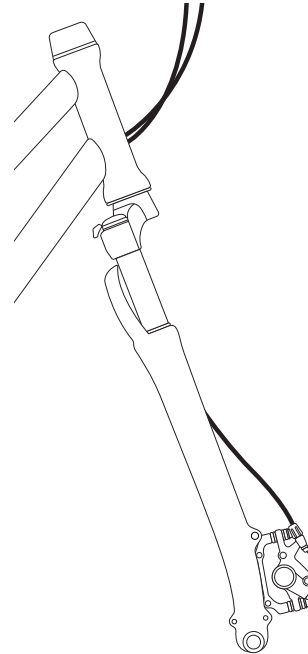


01



NEED HELP?

Use camera to scan
for video instructions



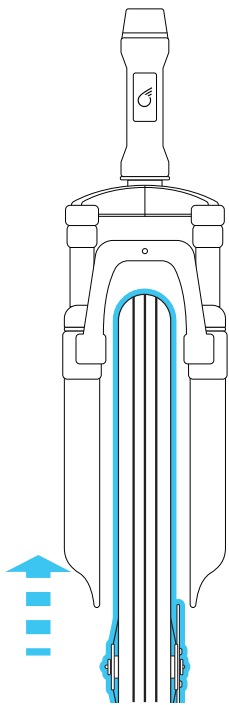
Need Help? Please click or call the team@sixthreezero.com or (310) 982-2877

02



NEED HELP?

Use camera to scan
for video instructions

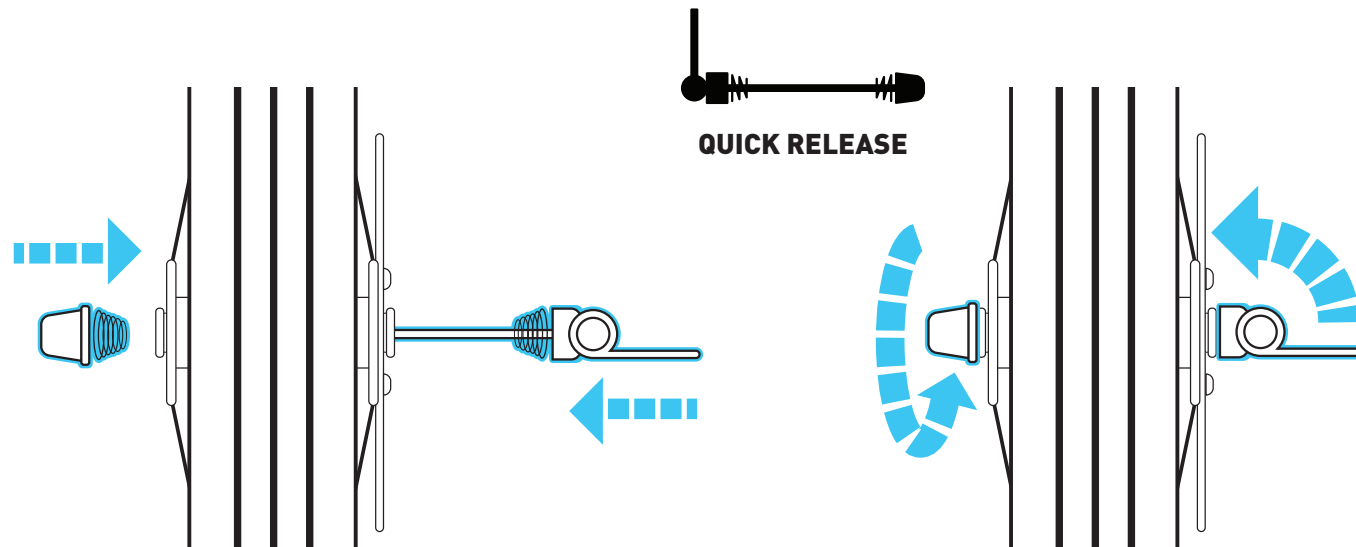


03



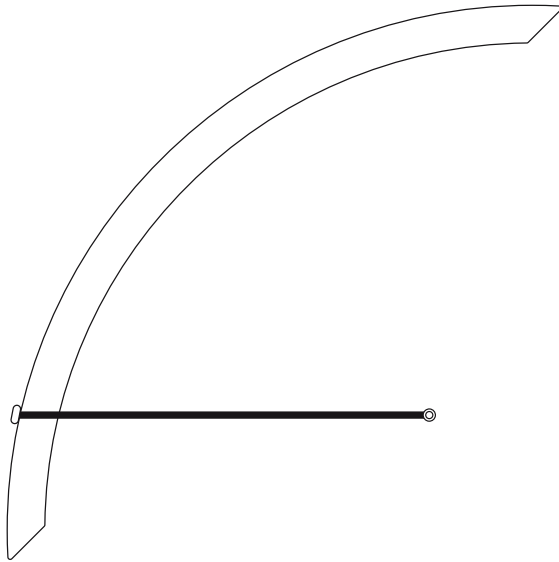
NEED HELP?

Use camera to scan
for video instructions



Need Help? Please click or call the team@sixthreezero.com or (310) 982-2877

FENDERS



04



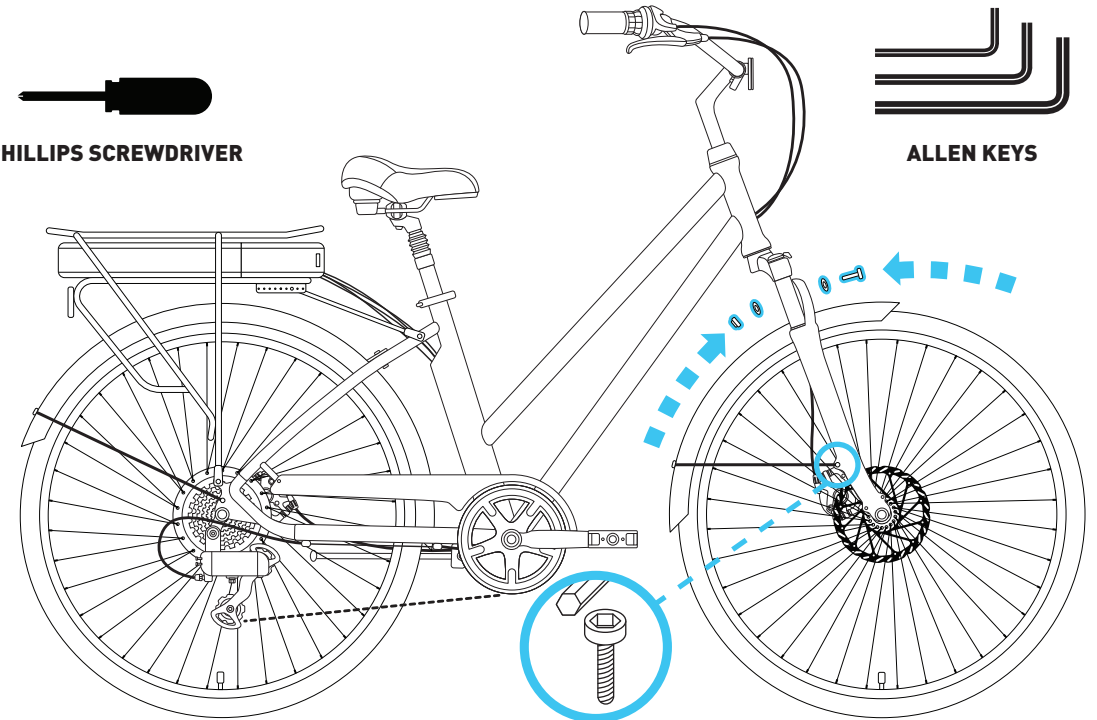
NEED HELP?
Scan for Rear Rack
installation Video



PHILLIPS SCREWDRIVER



ALLEN KEYS



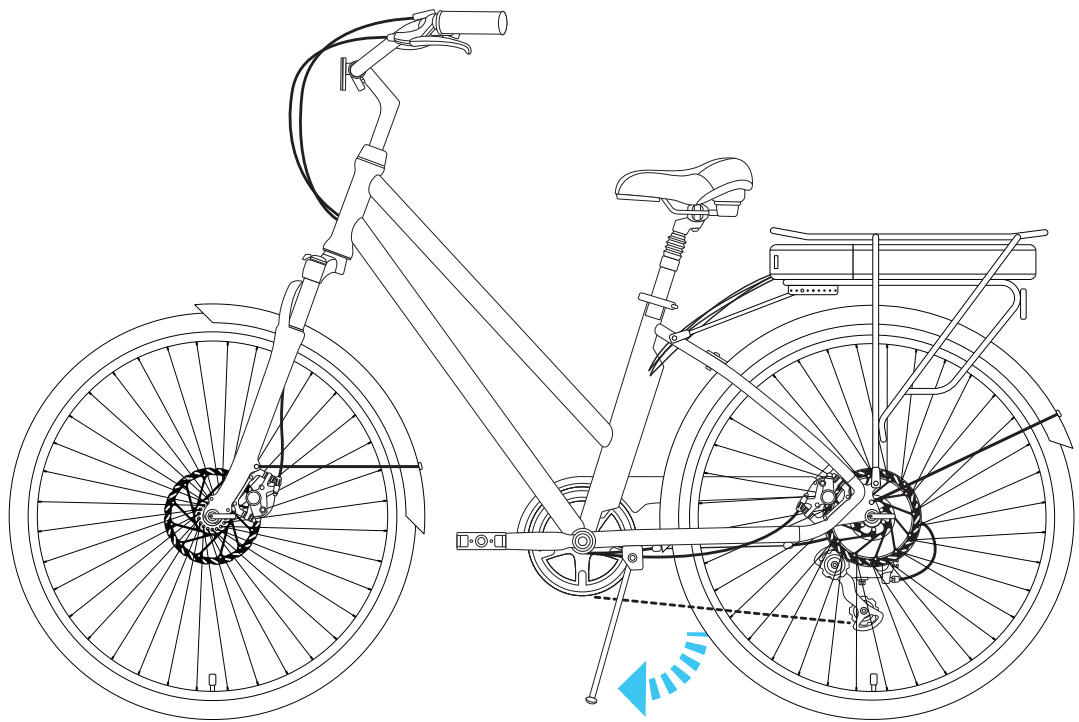
Need Help? Please click or call the team@sixthreezero.com or (310) 982-2877

05



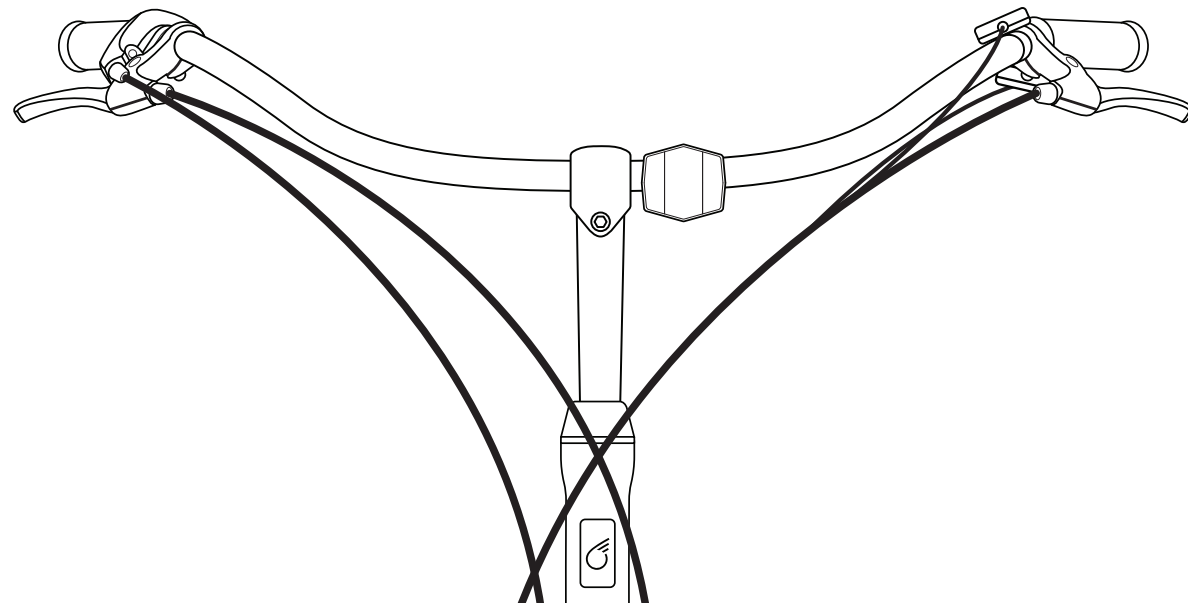
NEED HELP?

Use camera to scan
for video instructions



***Put kickstand down so bike will stand on its own.**

HANDLEBARS

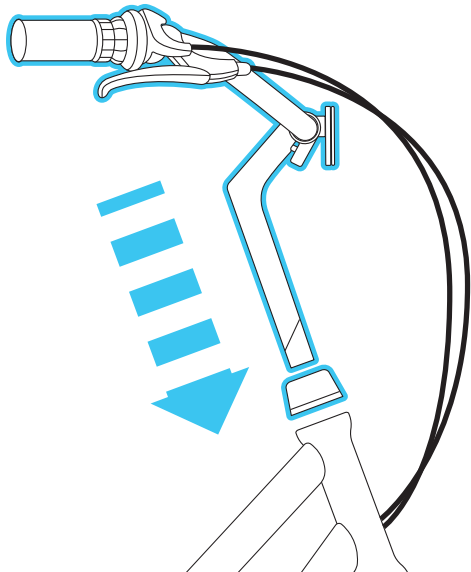


06



NEED HELP?

Use camera to scan for video instructions



07

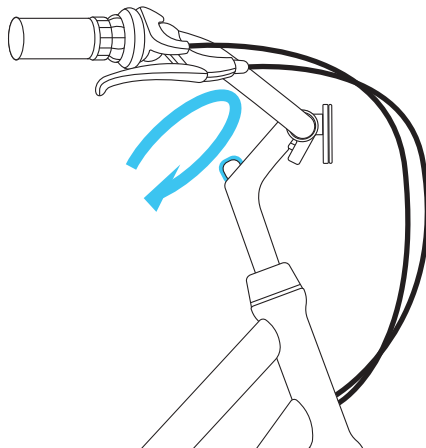


NEED HELP?

Use camera to scan for video instructions



ALLEN KEYS

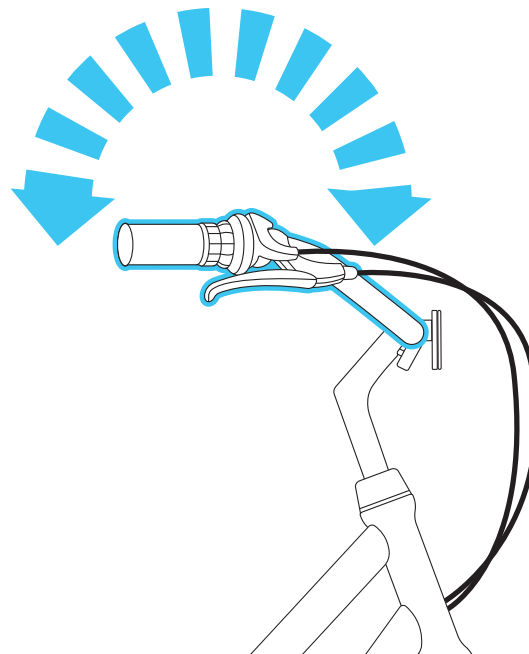


08



NEED HELP?

Use camera to scan for video instructions



09

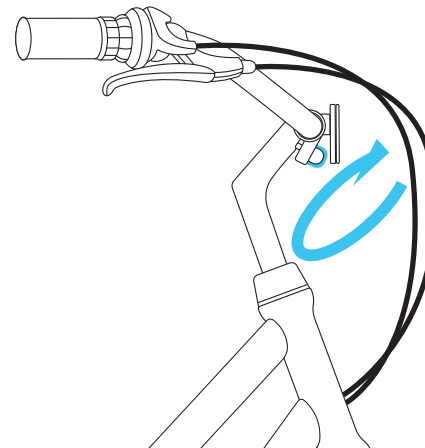


NEED HELP?

Use camera to scan for video instructions

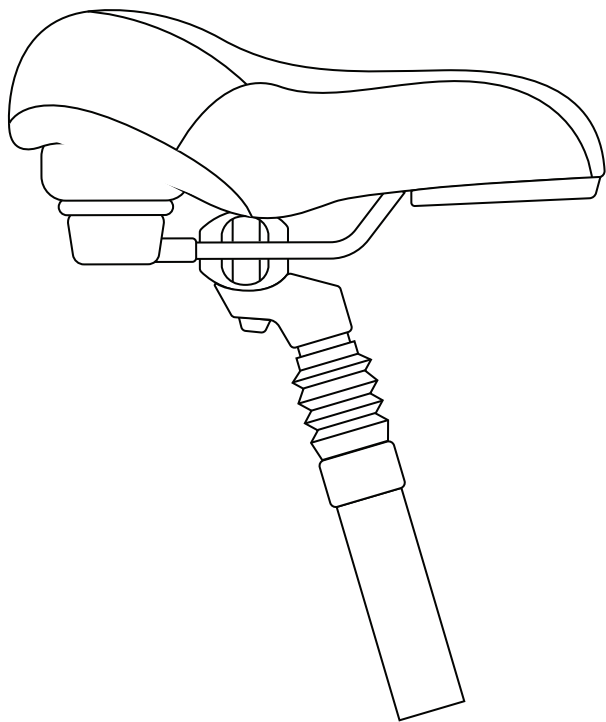


ALLEN KEYS



Need Help? Please click or call the team@sixthreezero.com or (310) 982-2877

SEAT



10



NEED HELP?

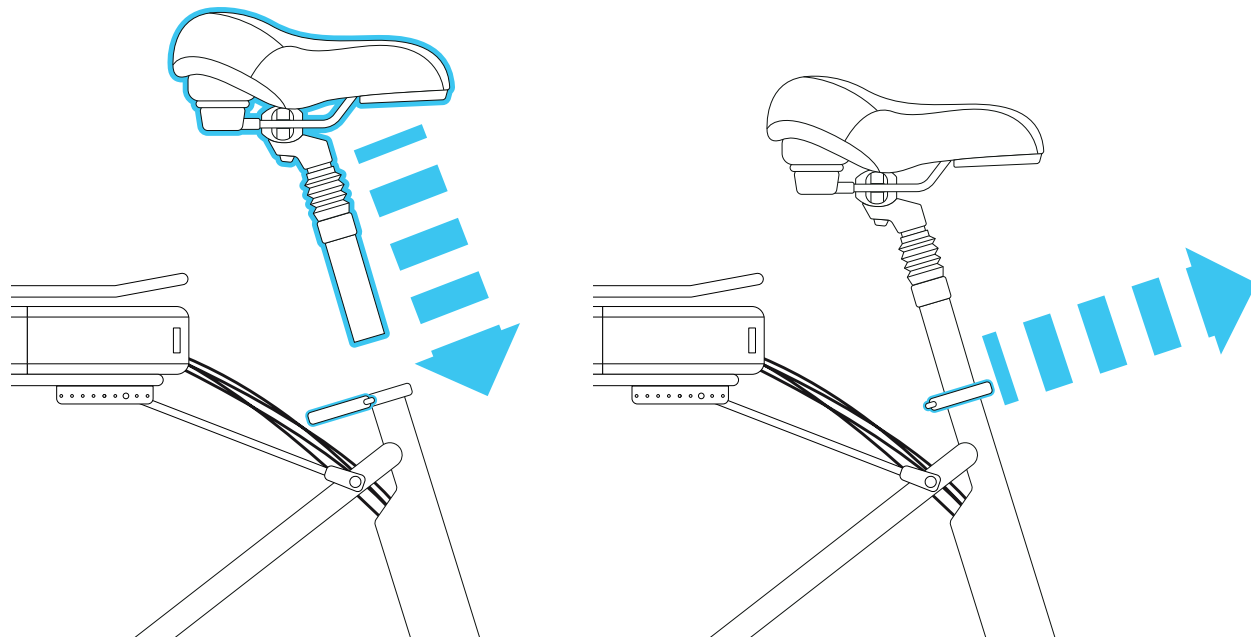
Use camera to scan
for video instructions

11



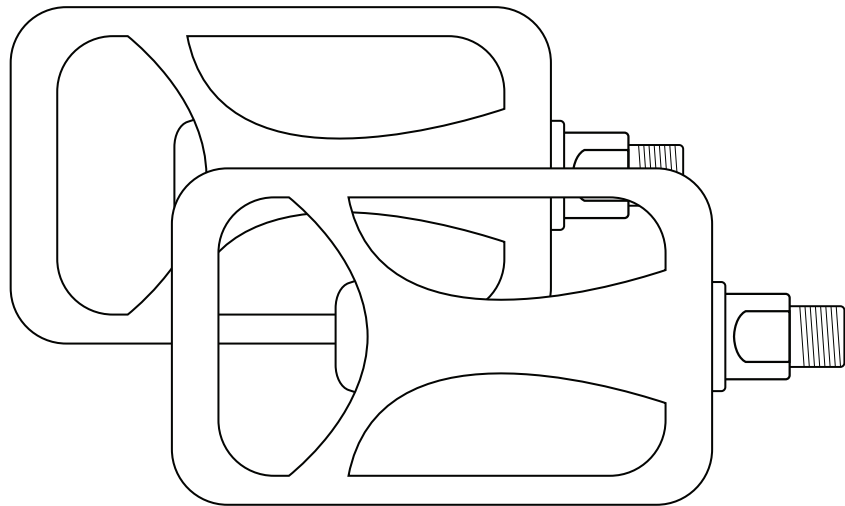
NEED HELP?

Use camera to scan
for video instructions



Need Help? Please click or call the team@sixthreezero.com or (310) 982-2877

PEDALS



12



NEED HELP?

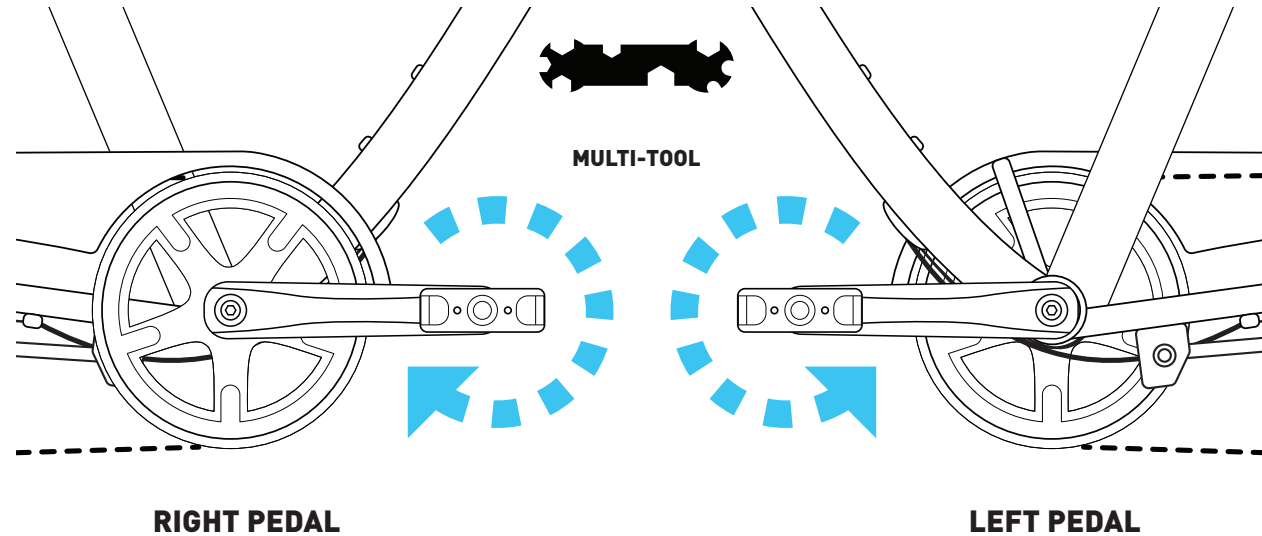
Use camera to scan
for video instructions

13



NEED HELP?

Use camera to scan
for video instructions



CAUTION:

*Left Pedal has left hand threads.
Turn counterclockwise to install.*

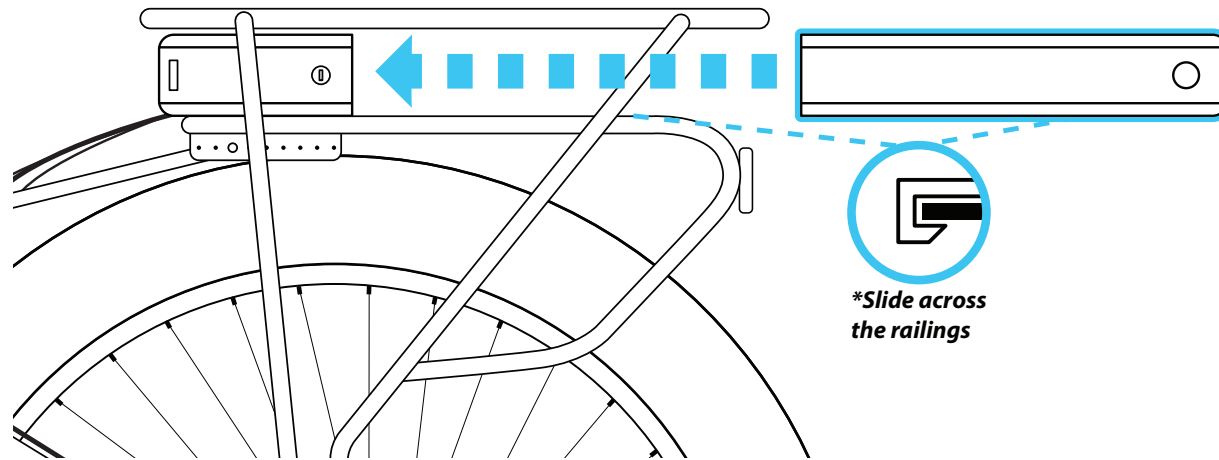
BATTERY

14



NEED HELP?

Use camera to scan for video instructions



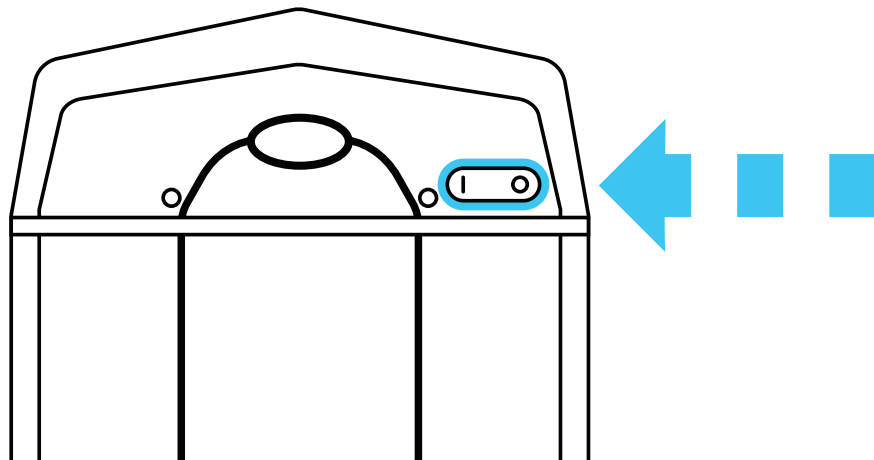
Need Help? Please click or call the team@sixthreezero.com or (310) 982-2877

15



NEED HELP?

Use camera to scan for video instructions



ON  **OFF**

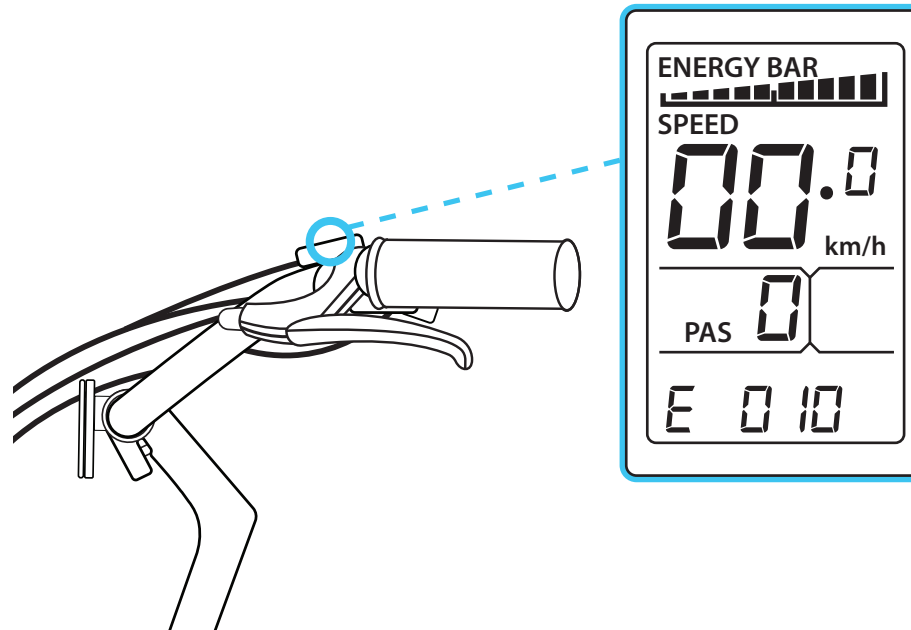
Need Help? Please click or call the team@sixthreezero.com or (310) 982-2877

16



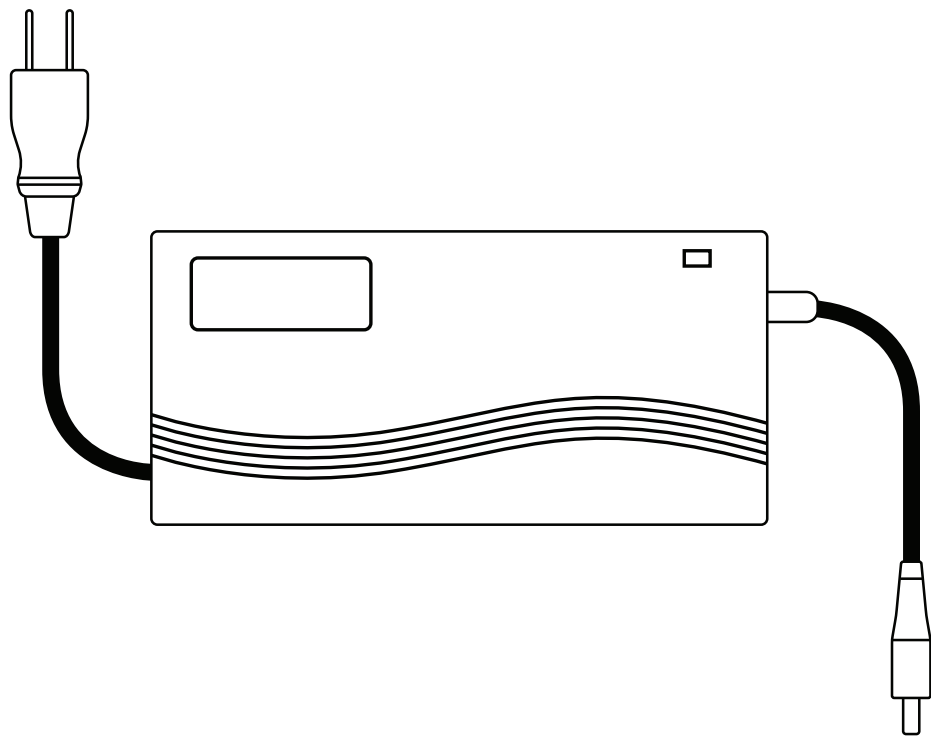
NEED HELP?

Scan for Display Monitor User's Manual



Need Help? Please click or call the team@sixthreezero.com or (310) 982-2877

BATTERY CHARGER

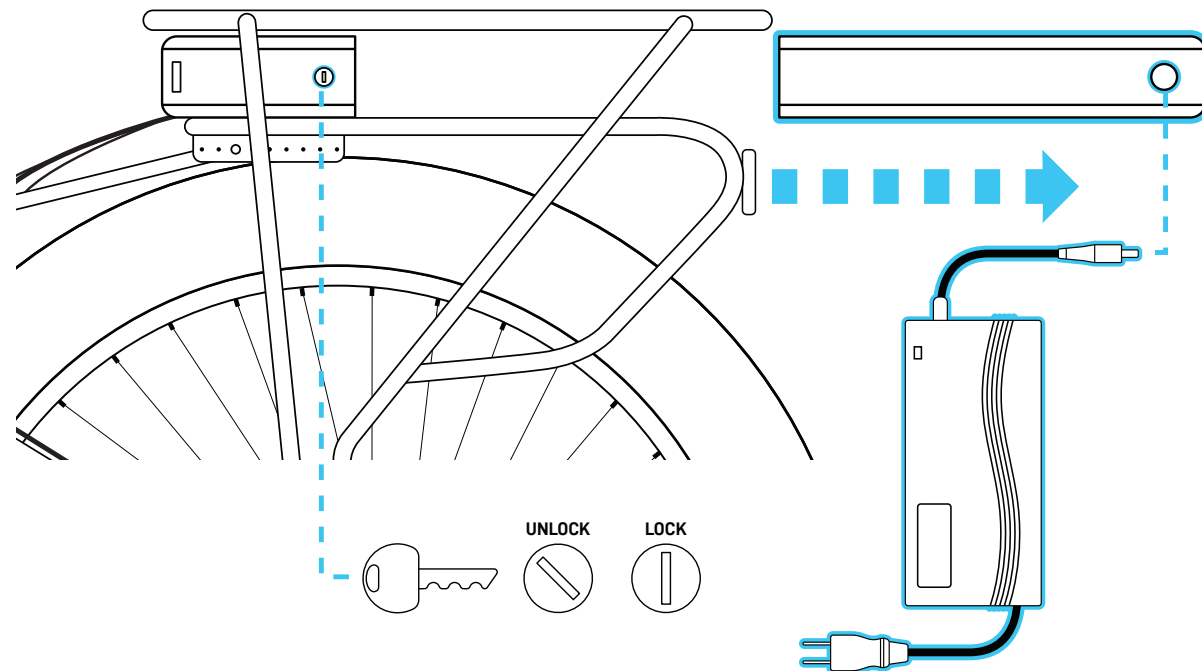


17



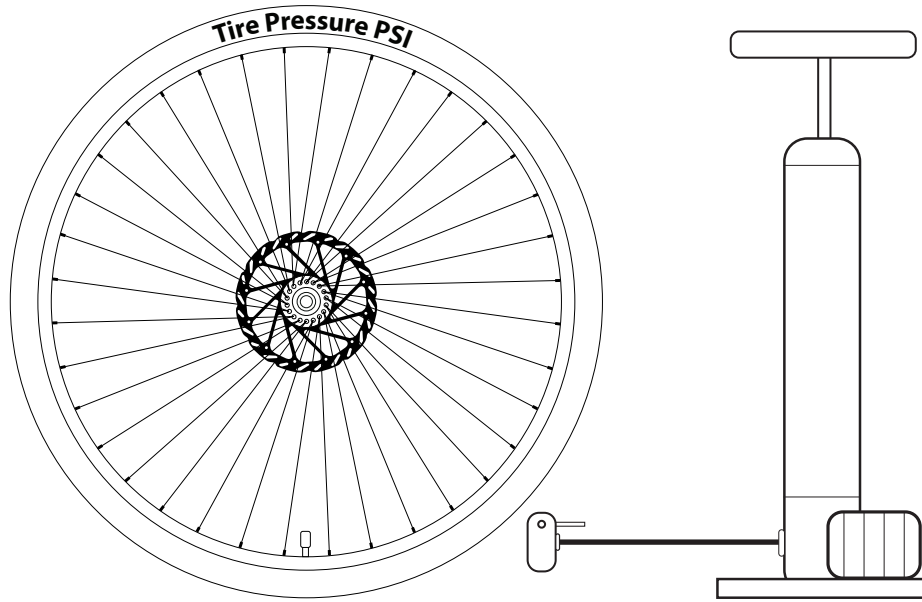
NEED HELP?

Use camera to scan for video instructions



Need Help? Please click or call the team@sixthreezero.com or (310) 982-2877

TIRES



Need Help? Please click or call the team@sixthreezero.com or (310) 982-2877

TEST RIDE

Make sure your ride is smooth by testing it. If you experience any issues your bicycle may need brake or gear adjustments. Scan codes below for a quick tutorial.

Need Help? Please click or call the team@sixthreezero.com or (310) 982-2877

TUNING



BRAKE TUNING
Use camera to scan for video instructions



GEAR TUNING
Use camera to scan for video instructions



MANUAL FOR MONITOR DISPLAY
Use camera to scan for video instructions



SEAT CLAMP RE-ASSEMBLY
Use camera to scan for video instructions

RECORD YOUR SIXTHREEZERO'S INFO

BICYCLE SERIAL # _____ DATE OF PURCHASE _____

BATTERY SERIAL # _____ DEALER'S NAME _____

MODEL _____ DEALER'S PHONE _____

COLOR _____ DEALER'S EMAIL _____

PLEASE REGISTER YOUR SIXTHREEZERO AT [SIXTHREEZERO.COM/REGISTER](https://sixthreezero.com/register)

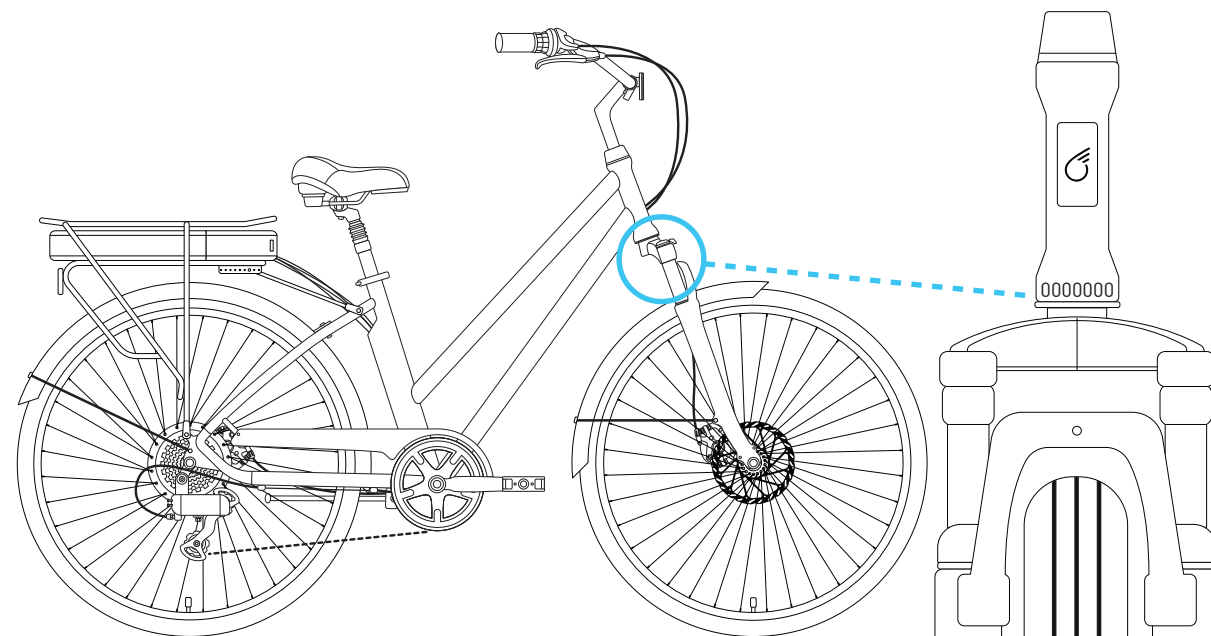
You must register your sixthreezero within 30 days of purchase for warranty to be valid

WE STRIVE FOR PERFECT, ALTHOUGH IT'S NOT ALWAYS POSSIBLE, WE NEVER LEAVE A RIDER BEHIND.

REGISTER



Please find your serial number on the front of the head tube.



Need Help? Please click or call the team@sixthreezero.com or (310) 982-2877



SIX**THREE**ZERO
LOS ANGELES, CA

THETEAM@SIXTHREEZERO.COM
310.982.2877