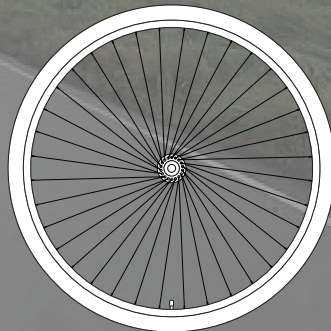
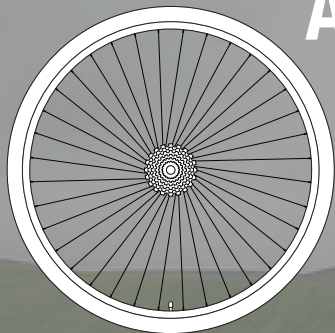


 *sixthreezero*

ASSEMBLY GUIDE



Pave n Trail Dedicated



OUR COMMITMENT

We want you to love your bike as much as we do.
If you run into any issues, no matter how small,
let us know and we'll take care of you.

SIXTHREEZERO
THETEAM@SIXTHREEZERO.COM
310.982.2877



REGISTER YOUR WHEELS

Register your bike so we can help you with any claims.

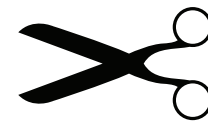
VISIT THE LINK BELOW

<http://www.sixthreezero.com/pages/register-your-bike>

Need Help? Please click or call the team@sixthreezero.com or (310) 982-2877

TOOLS YOU'LL NEED

Creating something wonderful with your own hands is basically the best feeling ever. We want you to have fun building your new bike, so there's only a few things you need to get started.



SCISSORS
(TO CUT ZIP TIE)



ALLEN KEYS



MULTI-TOOL



PHILLIPS SCREWDRIVER



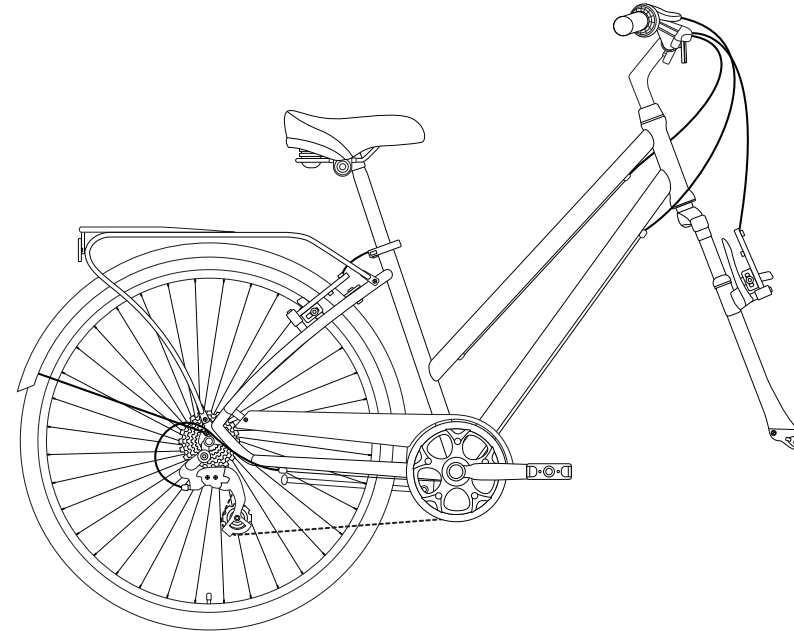
BICYCLE TIRE PUMP

WHAT'S IN EACH BOX?

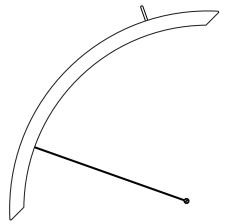
Layout all the parts in front of you.
Make sure to **remove all packaging** before you get started.

Need Help? Please click or call the team@sixthreezero.com or (310) 982-2877

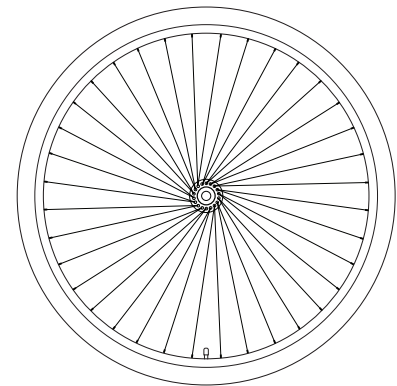
BICYCLE BOX



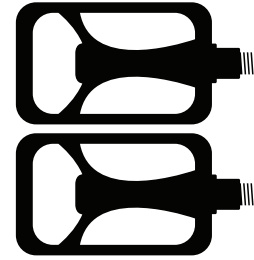
HANDLE BAR / FRAME / REAR
WHEEL AND REAR RACK SET-UP



FRONT FENDER + STRUT



FRONT WHEEL
WITH AXLE NUTS



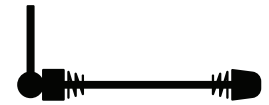
PEDALS



4,5 & 6mm ALLEN KEYS

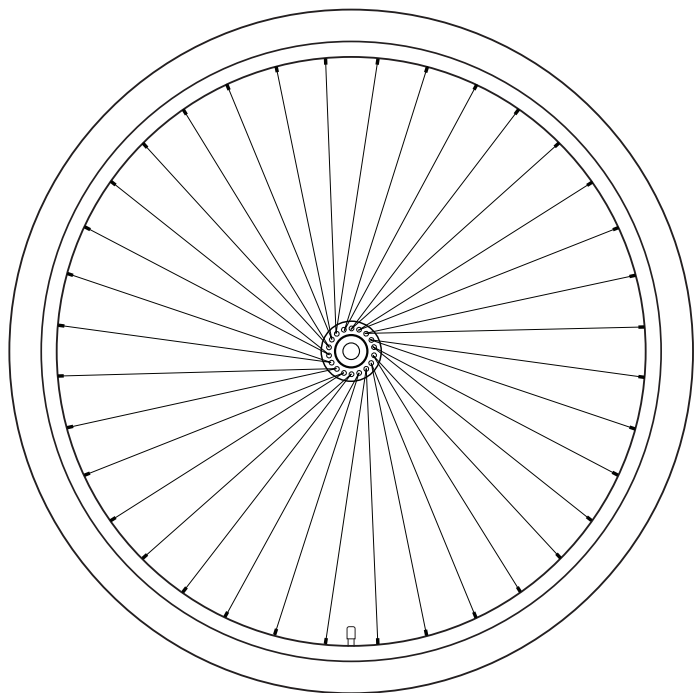


15mm MULTI-TOOL



QUICK RELEASE

FRONT WHEEL

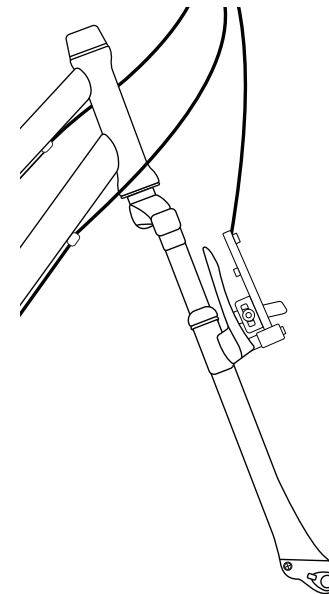
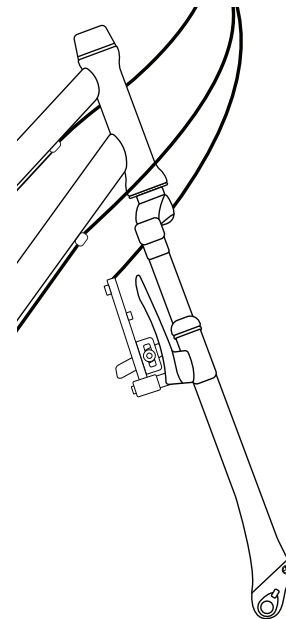


01



NEED HELP?

Use camera to scan
for video instructions



Need Help? Please click or call the team@sixthreezero.com or (310) 982-2877

02



NEED HELP?

Use camera to scan for video instructions

03



NEED HELP?

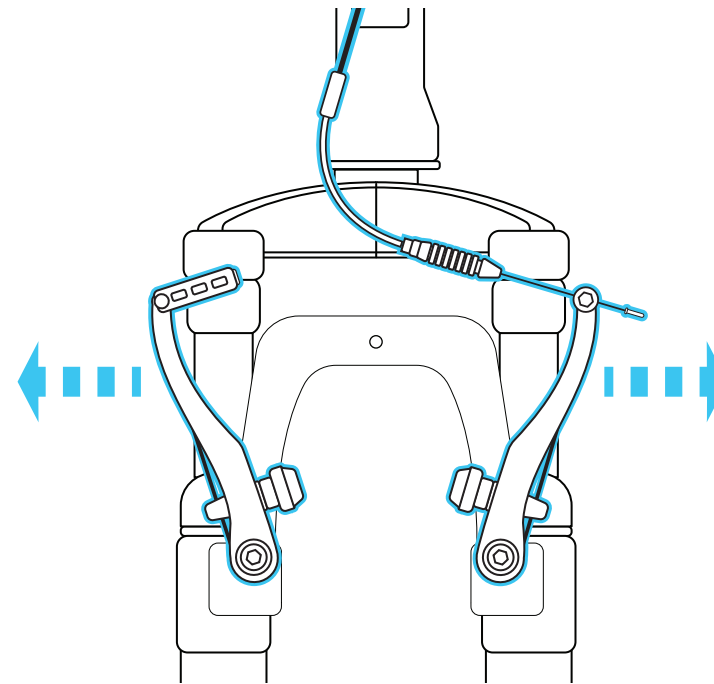
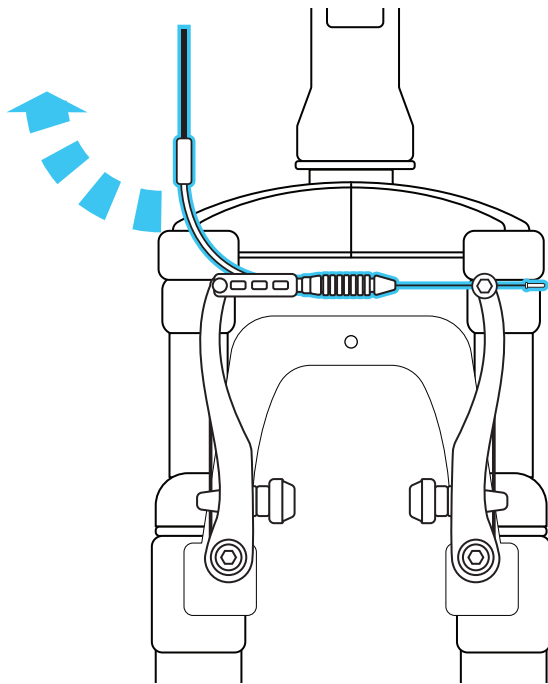
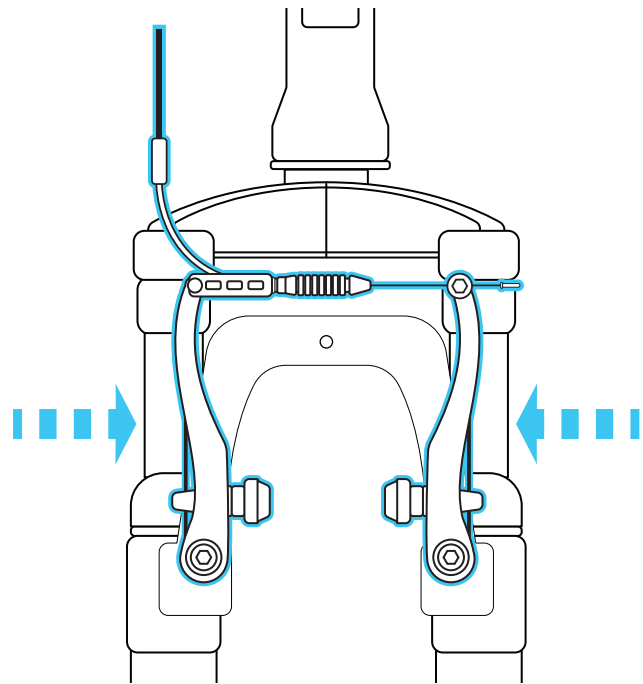
Use camera to scan for video instructions

04



NEED HELP?

Use camera to scan for video instructions



Need Help? Please click or call the team@sixthreezero.com or (310) 982-2877

05



NEED HELP?

Use camera to scan for video instructions

06



NEED HELP?

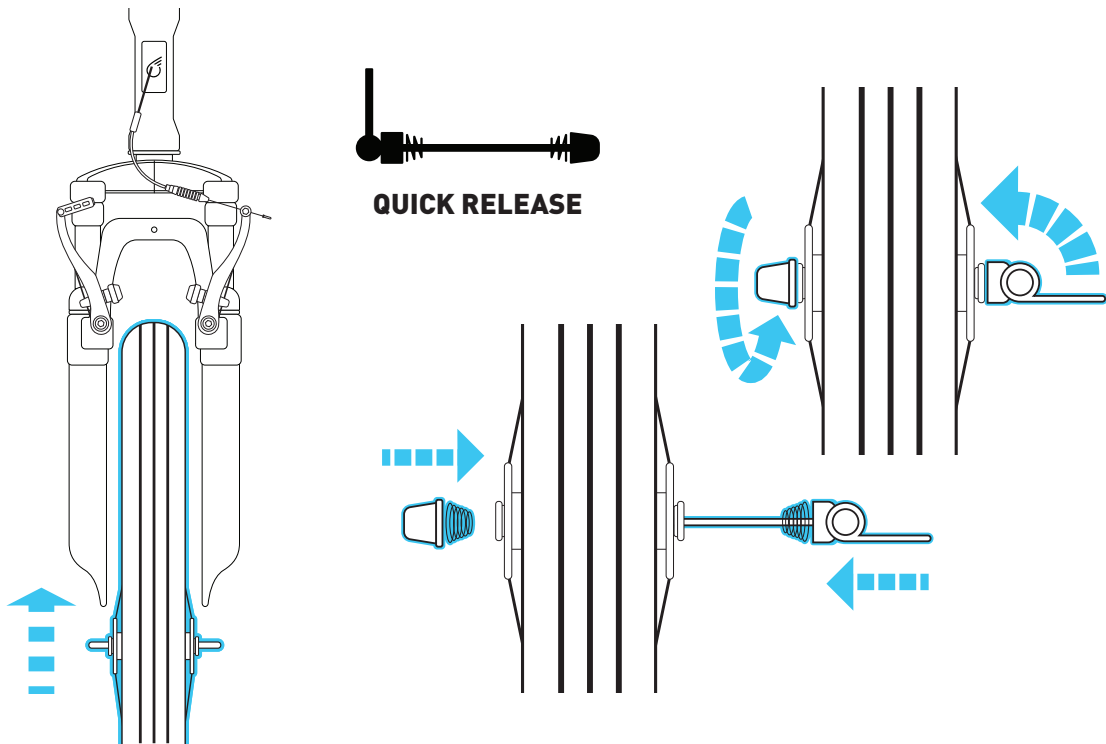
Use camera to scan for video instructions

07

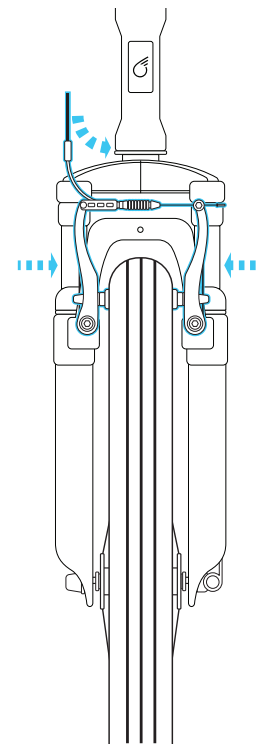


NEED HELP?

Use camera to scan for video instructions



Need Help? Please click or call the team@sixthreezero.com or (310) 982-2877



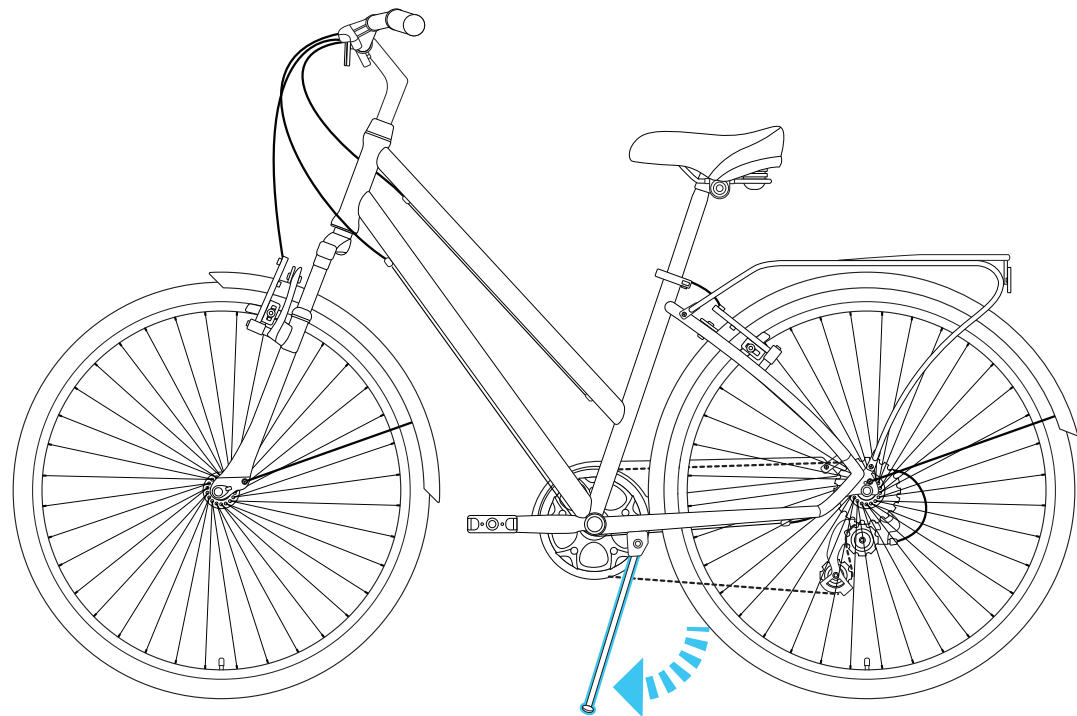
Need Help? Please click or call the team@sixthreezero.com or (310) 982-2877

08



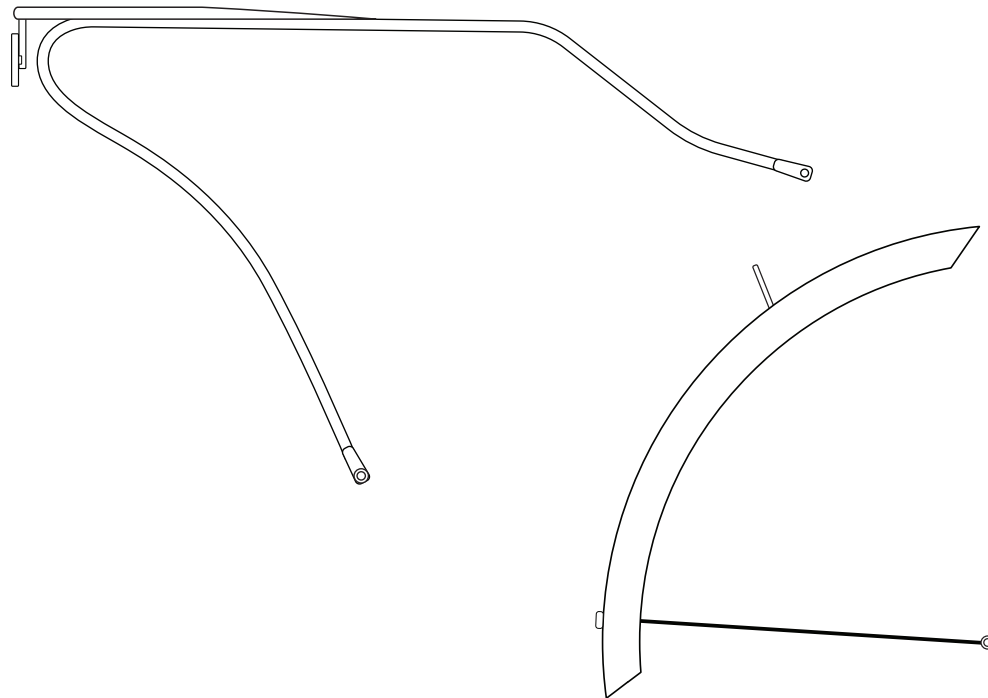
NEED HELP?

Use camera to scan
for video instructions



***Put kickstand down so bike will stand on its own.**

FENDERS & RACK



09



NEED HELP?
Scan for Front Fender
instructions

10



NEED HELP?
Scan for Rear Fender
instructions

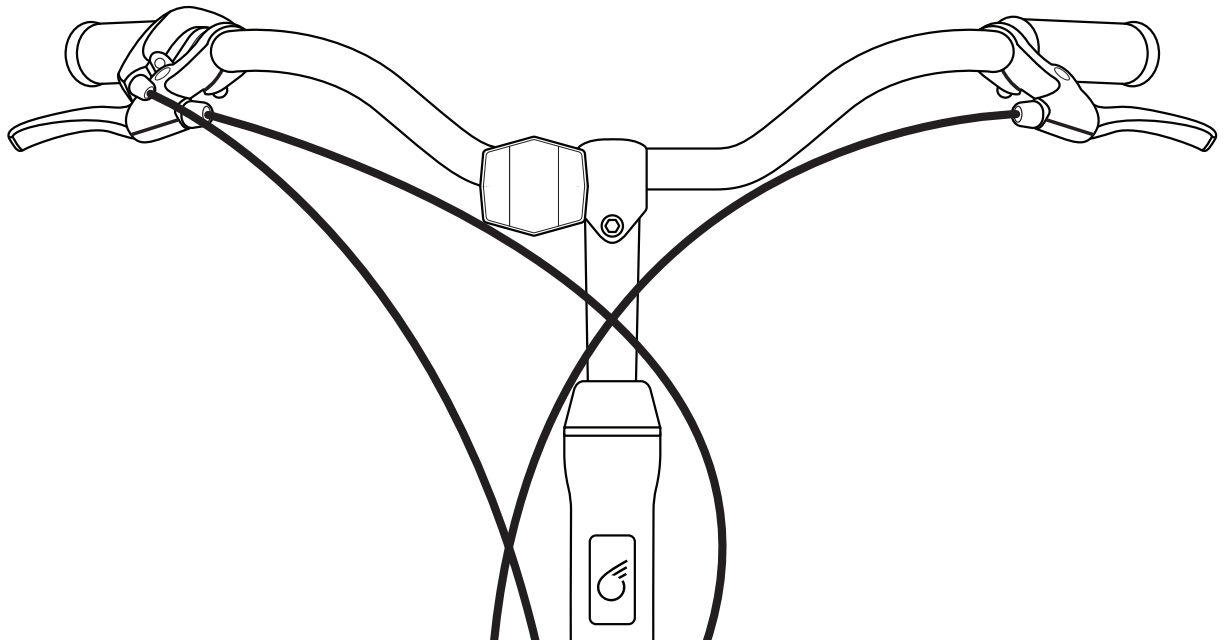
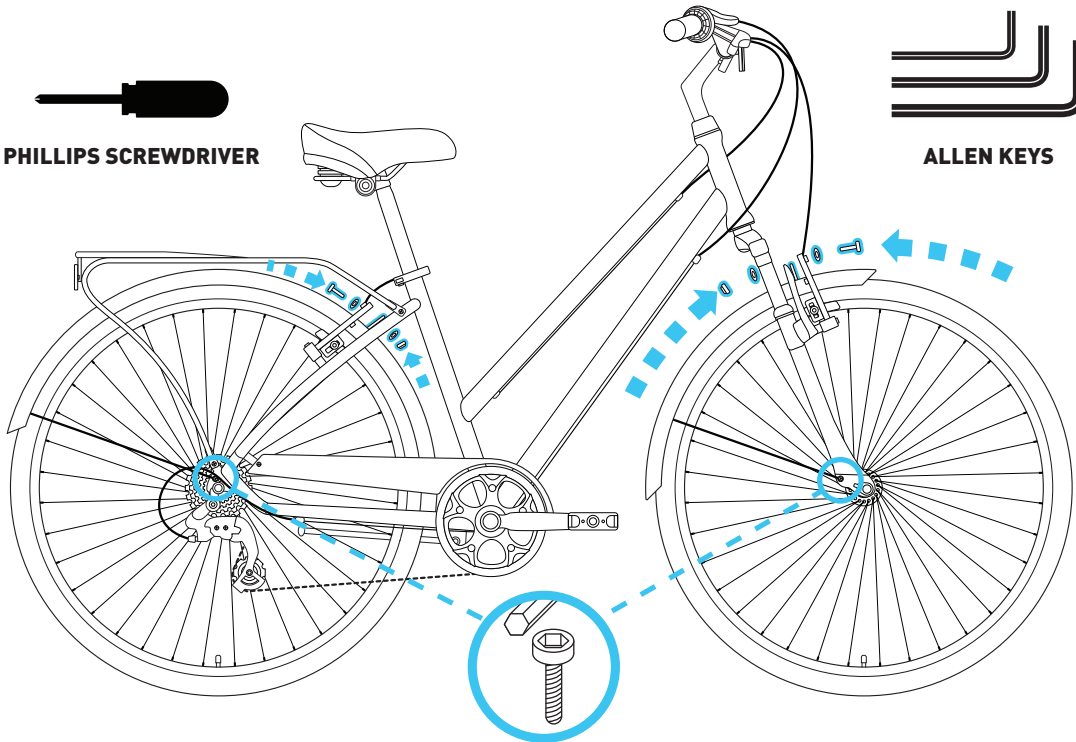
HANDLEBARS



PHILLIPS SCREWDRIVER



ALLEN KEYS



Need Help? Please click or call the team@sixthreezero.com or (310) 982-2877

11



NEED HELP?

Use camera to scan for video instructions

12



NEED HELP?

Use camera to scan for video instructions

13



NEED HELP?

Use camera to scan for video instructions

14

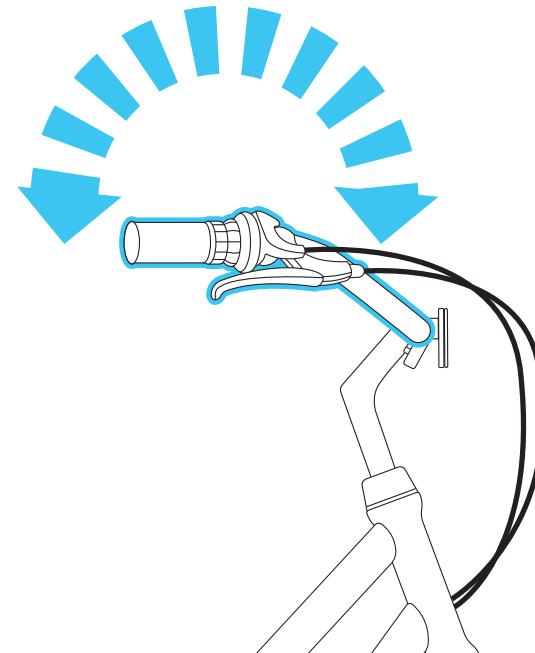
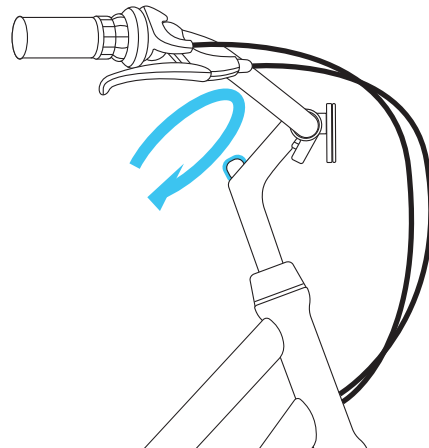


NEED HELP?

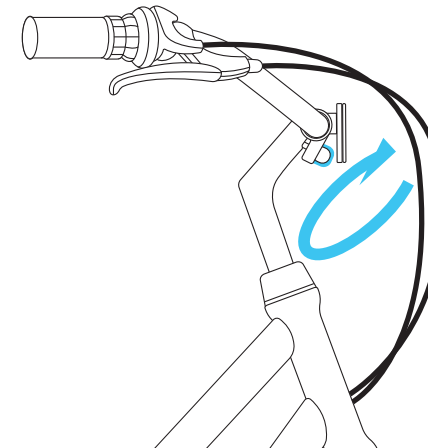
Use camera to scan for video instructions



ALLEN KEYS

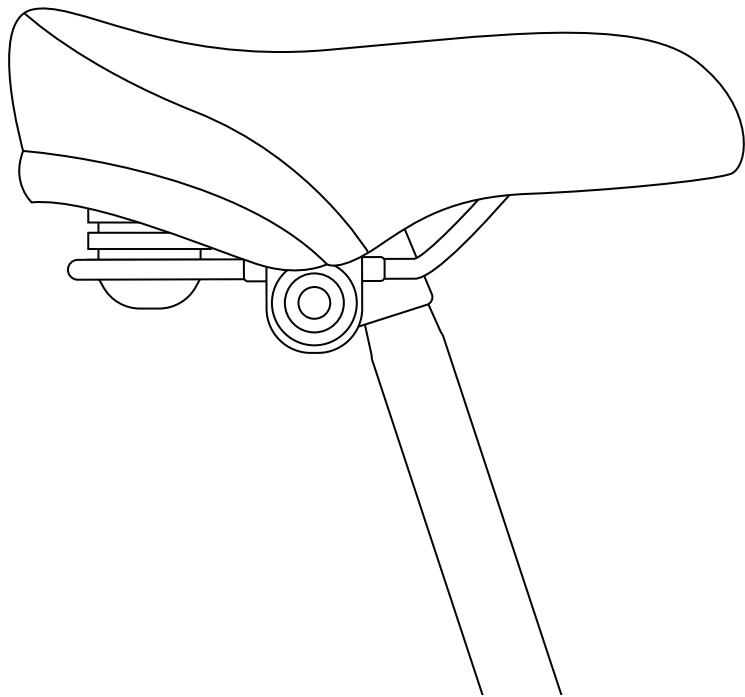


ALLEN KEYS



Need Help? Please click or call the team@sixthreezero.com or (310) 982-2877

SEAT



15



NEED HELP?

Use camera to scan for video instructions

16



NEED HELP?

Use camera to scan for video instructions

17



NEED HELP?

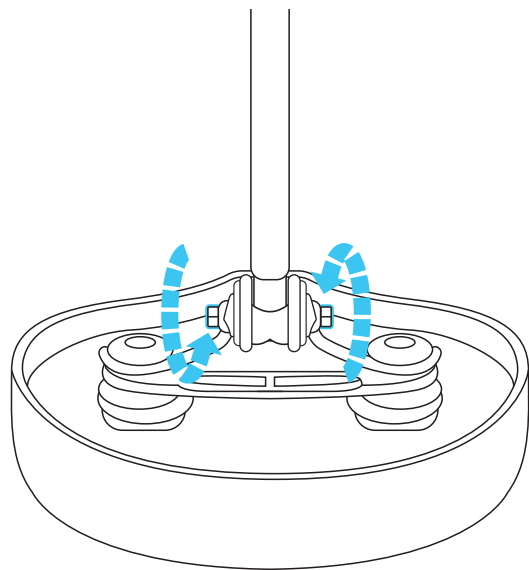
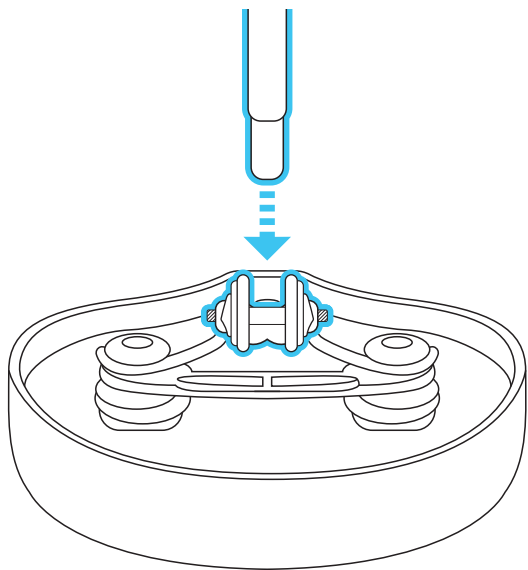
Use camera to scan for video instructions

18



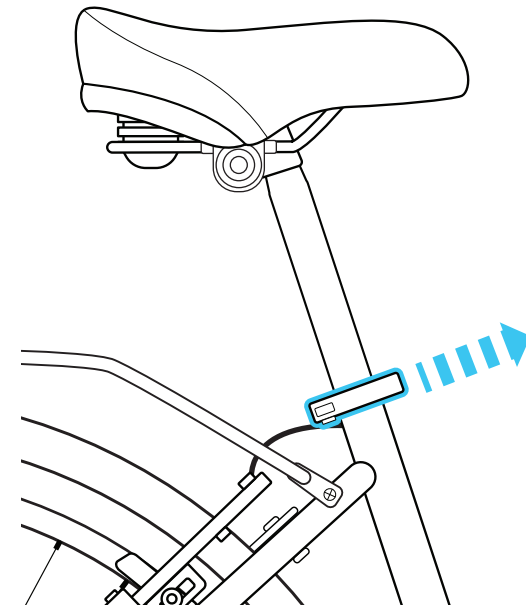
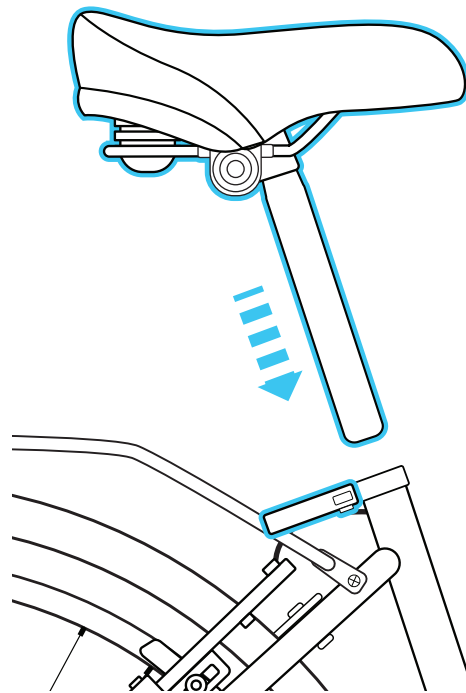
NEED HELP?

Use camera to scan for video instructions



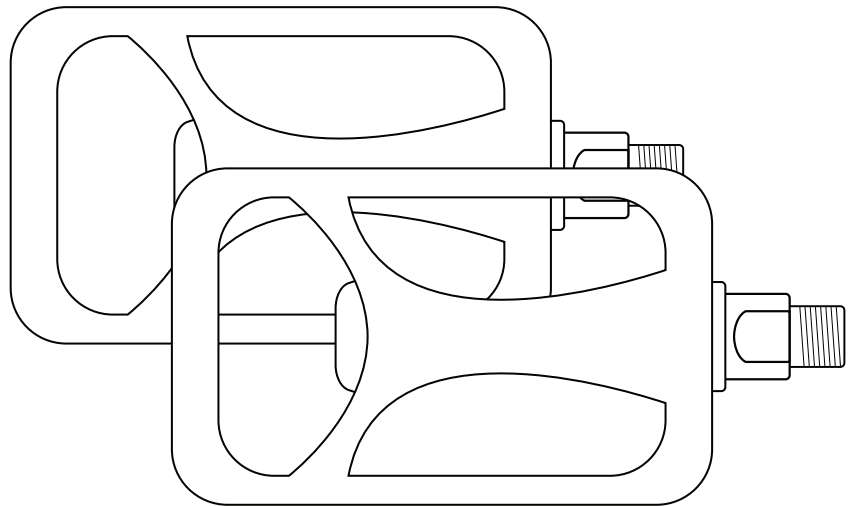
Caution: Do not drop seat post into bicycle frame.
Install seat onto seat post **before** installing into bicycle frame to prevent dropping seat post down into the frame.

Need Help? Please click or call the team@sixthreezero.com or (310) 982-2877



Need Help? Please click or call the team@sixthreezero.com or (310) 982-2877

PEDALS



19



NEED HELP?

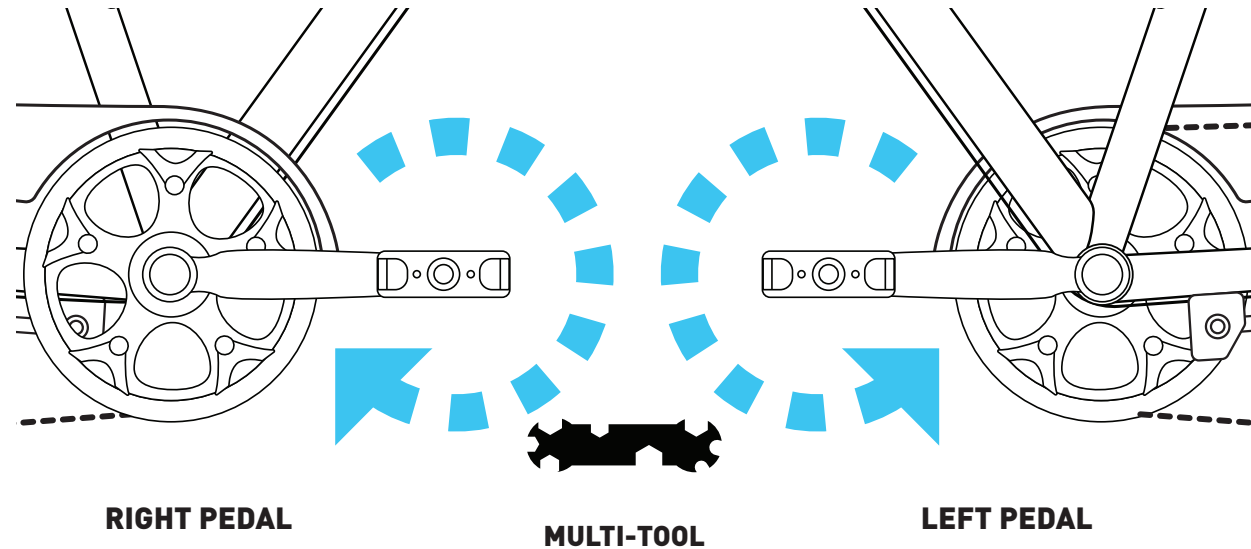
Use camera to scan
for video instructions

20



NEED HELP?

Use camera to scan
for video instructions



RIGHT PEDAL

MULTI-TOOL

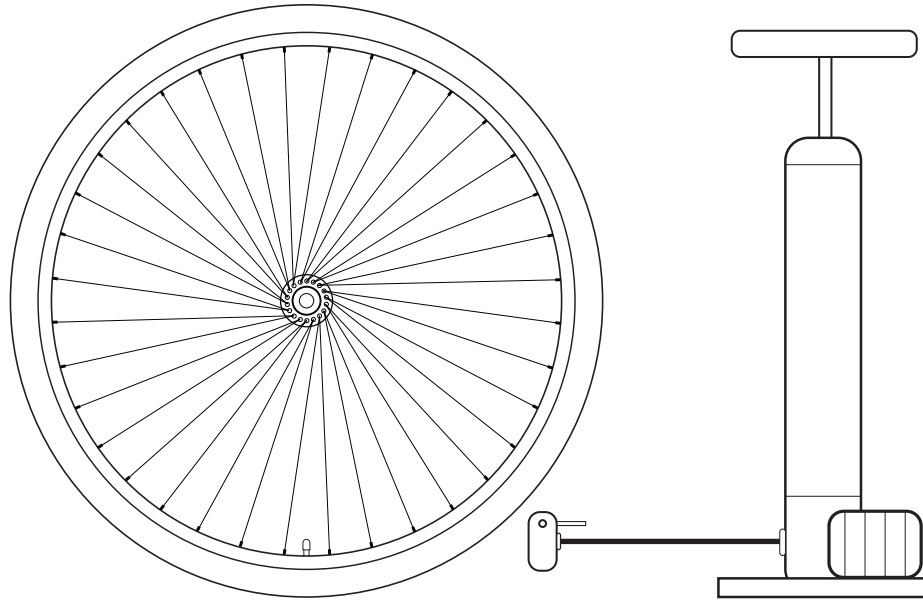
LEFT PEDAL

CAUTION:

*Left Pedal has left hand threads.
Turn counterclockwise to install.*

TIRES

Pump tires up to 50 psi



Need Help? Please click or call the team@sixthreezero.com or (310) 982-2877

TEST RIDE

Make sure your ride is smooth by testing it. If you experience any issues your bicycle may need brake or gear adjustments. Scan codes below for a quick tutorial.

Need Help? Please click or call the team@sixthreezero.com or (310) 982-2877

TUNING



BRAKE TUNING
Use camera to scan for video instructions

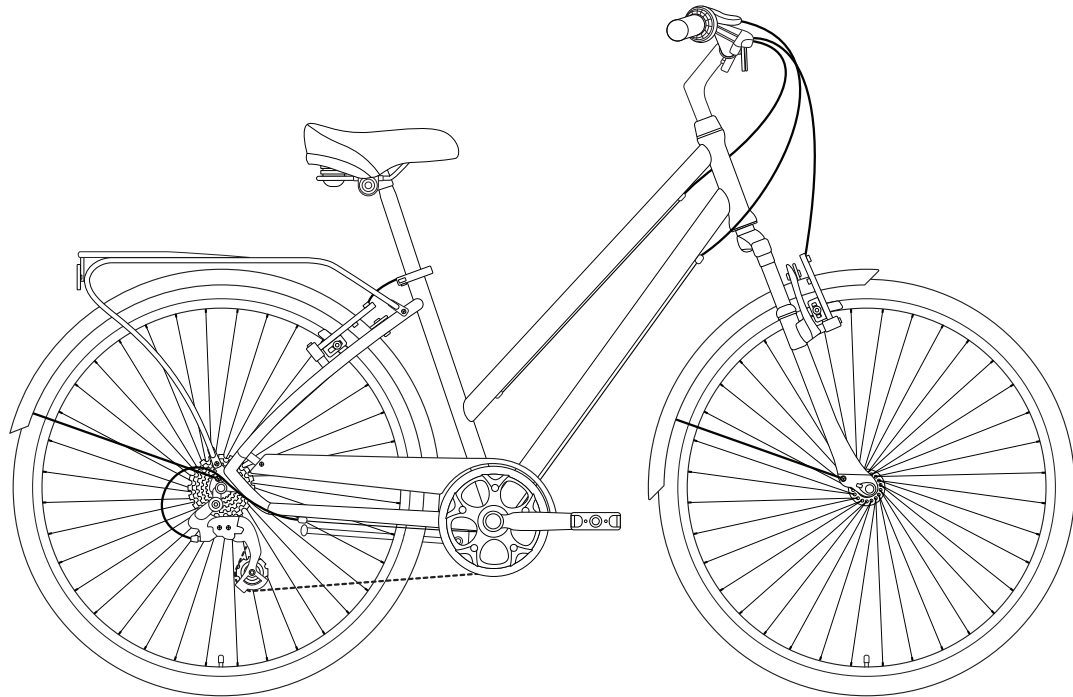


GEAR TUNING
Use camera to scan for video instructions



SEAT CLAMP RE-ASSEMBLY
Use camera to scan for video instructions

CONGRATULATIONS!



SURVEY

Tell us about your assembly experience! If you are having any trouble at all or not, and would like to leave feedback to help us improve our assembly experience, please go to our survey at:

goo.gl/6enZji

RECORD YOUR SIXTHREEZERO'S INFO

BICYCLE SERIAL # _____	DATE OF PURCHASE _____
BATTERY SERIAL # _____	DEALER'S NAME _____
MODEL _____	DEALER'S PHONE _____
COLOR _____	DEALER'S EMAIL _____

PLEASE REGISTER YOUR SIXTHREEZERO AT [SIXTHREEZERO.COM/REGISTER](https://sixthreezero.com/register)

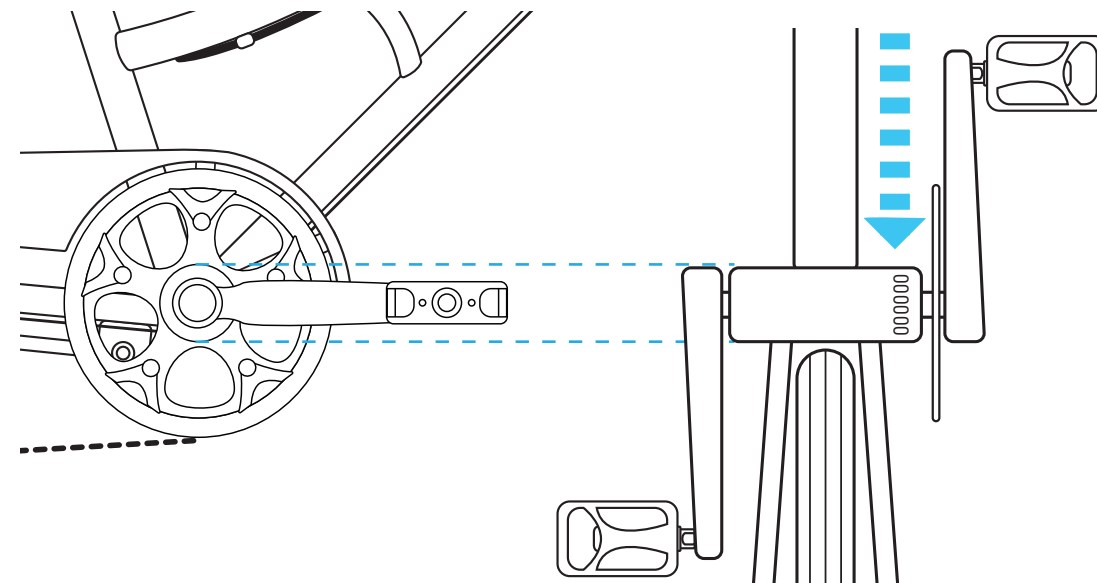
You must register your sixthreezero within 30 days of purchase for warranty to be valid

WE STRIVE FOR PERFECT, ALTHOUGH IT'S NOT ALWAYS POSSIBLE, WE NEVER LEAVE A RIDER BEHIND.

REGISTER



Most Sixthreezero bicycles have their serial number stamped into the bottom of the frame below the bottom bracket. You'll need to lift it up to see underneath, or use a smart phone to take a photo (with the flash) of the underside. The serial number is located on the frame behind the chainring. Contact us if you're having trouble finding the serial number.



Need Help? Please click or call the team@sixthreezero.com or (310) 982-2877



SIX**THREE**ZERO
LOS ANGELES, CA