

 *sixthreezero*

ASSEMBLY GUIDE



Around The Block 1-3-7-21 SPEED



OUR COMMITMENT

We want you to love your bike as much as we do.
If you run into any issues, no matter how small,
let us know and we'll take care of you.

SIXTHREEZERO
THETEAM@SIXTHREEZERO.COM
310.982.2877



REGISTER YOUR WHEELS

Register your bike so we can help you with any claims.

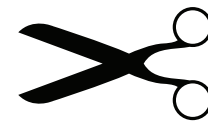
VISIT THE LINK BELOW

<http://www.sixthreezero.com/pages/register-your-bike>

Need Help? Please click or call the team@sixthreezero.com or (310) 982-2877

TOOLS YOU'LL NEED

Creating something wonderful with your own hands is basically the best feeling ever. We want you to have fun building your new bike, so there's only a few things you need to get started.



SCISSORS
(TO CUT ZIP TIE)



ALLEN KEYS



MULTI-TOOL



PHILLIPS SCREWDRIVER



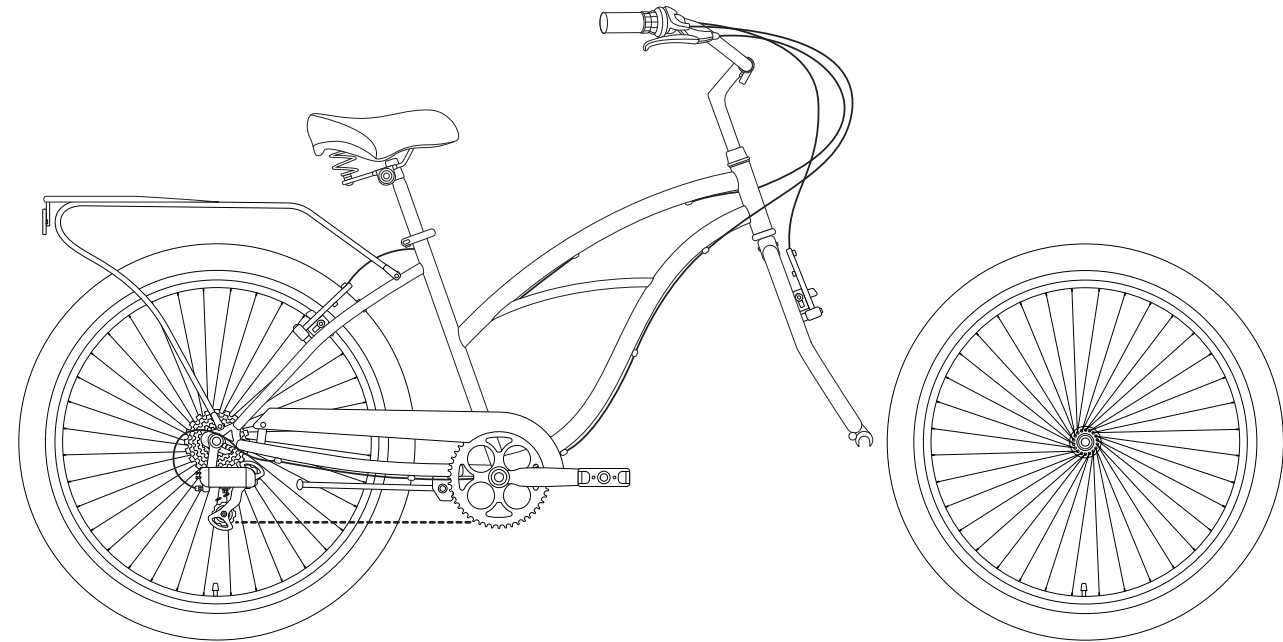
BICYCLE TIRE PUMP

WHAT'S IN EACH BOX?

Layout all the parts in front of you.
Make sure to **remove all packaging** before you get started.

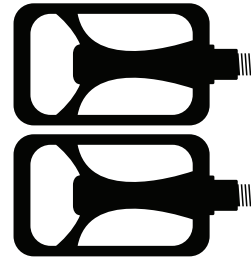
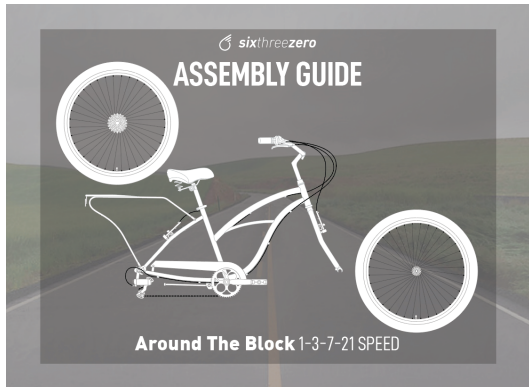
Need Help? Please click or call the team@sixthreezero.com or (310) 982-2877

BICYCLE BOX



HANDLE BAR / FRAME / REAR
WHEEL AND REAR RACK SET-UP

FRONT WHEEL
WITH AXLE NUTS



PEDALS

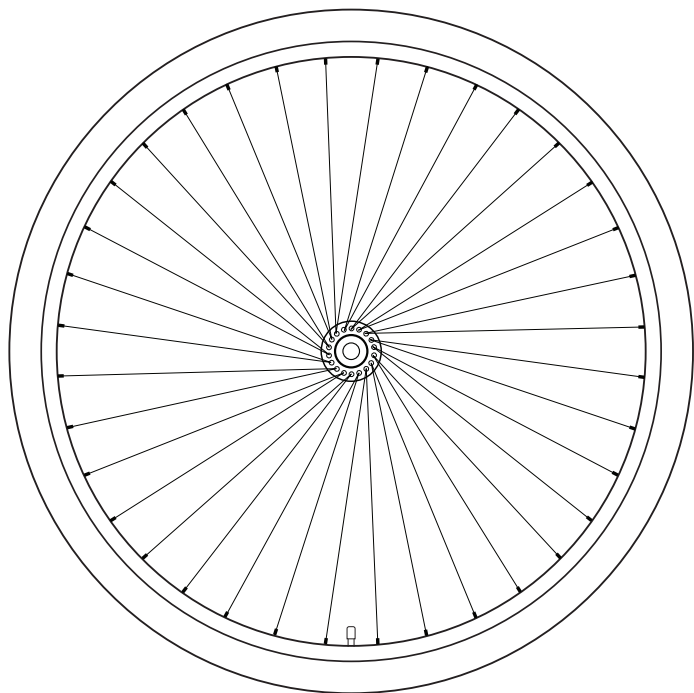


4,5 & 6mm ALLEN KEYS



15mm MULTI-TOOL

FRONT WHEEL

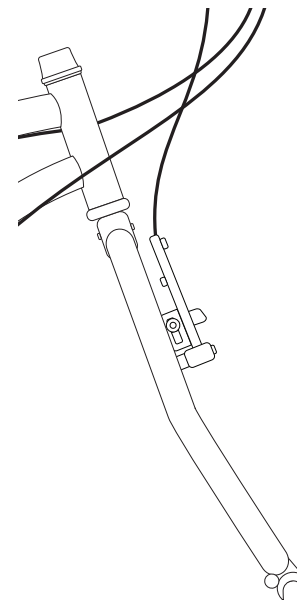
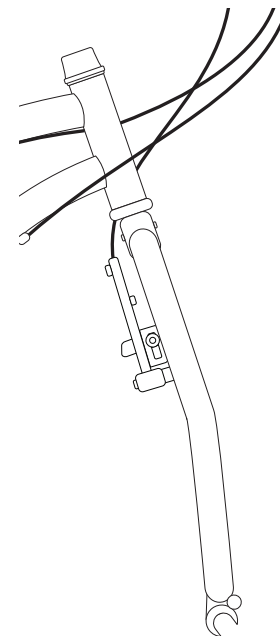


01



NEED HELP?

Use camera to scan
for video instructions



Need Help? Please click or call the team@sixthreezero.com or (310) 982-2877

02



NEED HELP?

Use camera to scan for video instructions

03



NEED HELP?

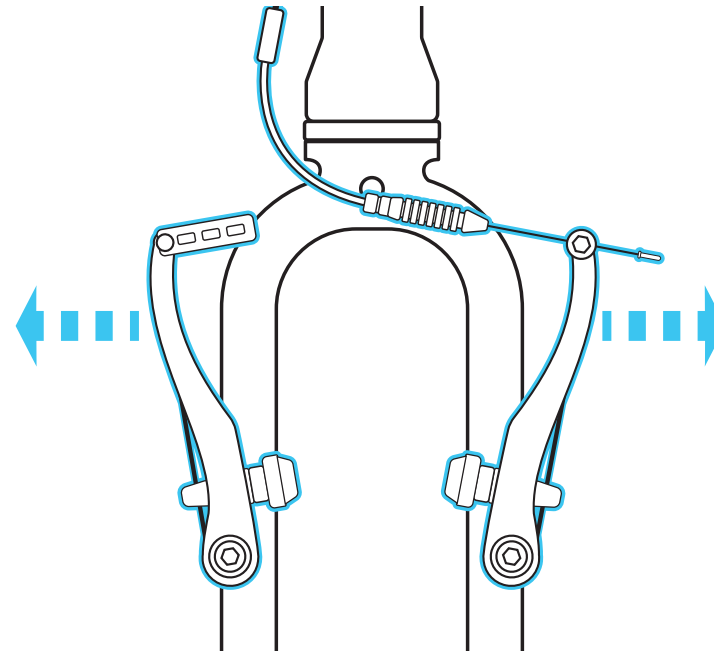
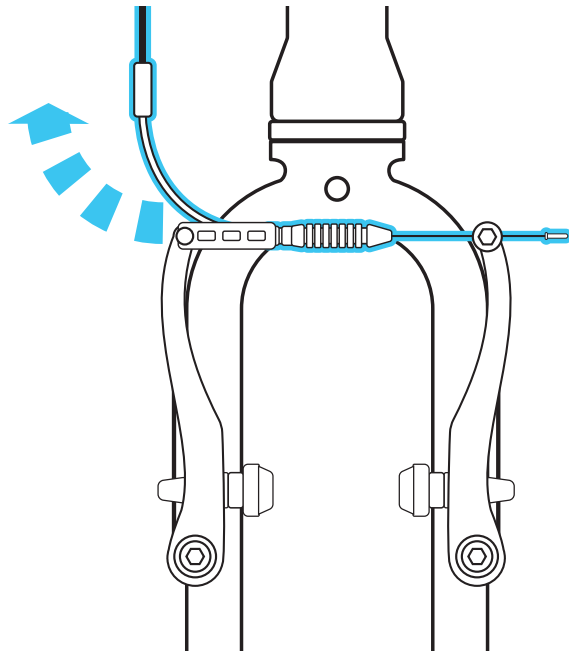
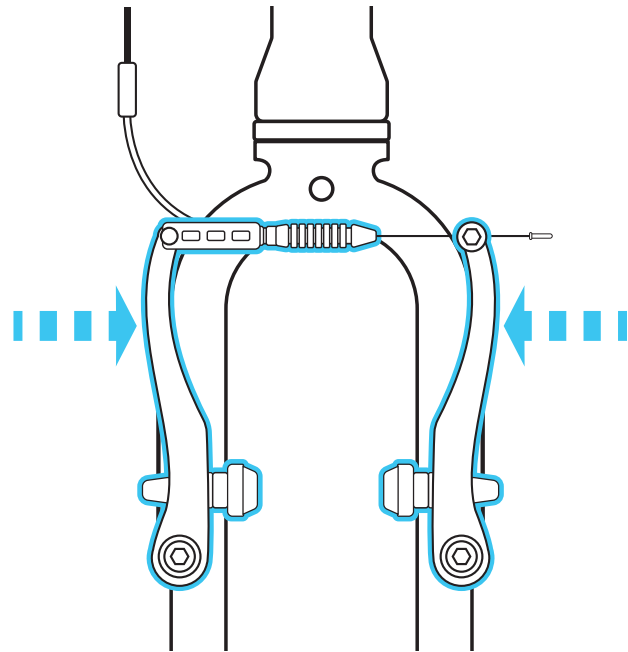
Use camera to scan for video instructions

04



NEED HELP?

Use camera to scan for video instructions



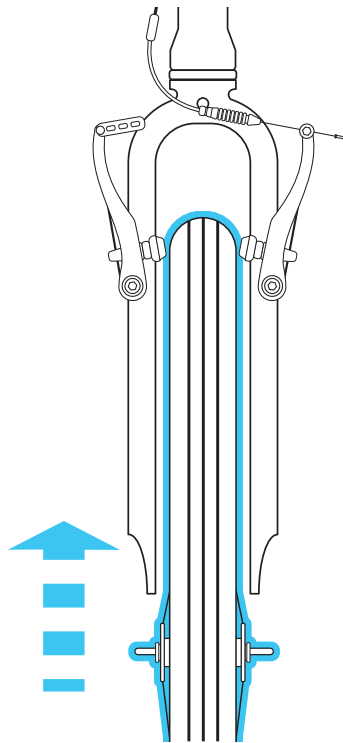
Need Help? Please click or call the team@sixthreezero.com or (310) 982-2877

05



NEED HELP?

Use camera to scan for video instructions

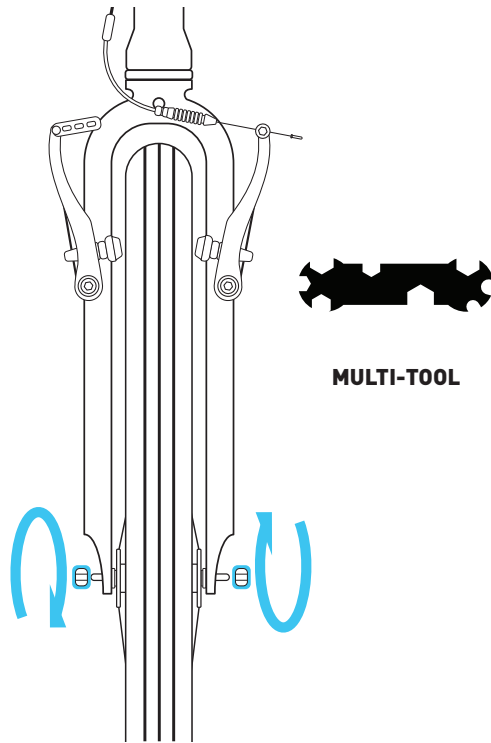


06



NEED HELP?

Use camera to scan for video instructions

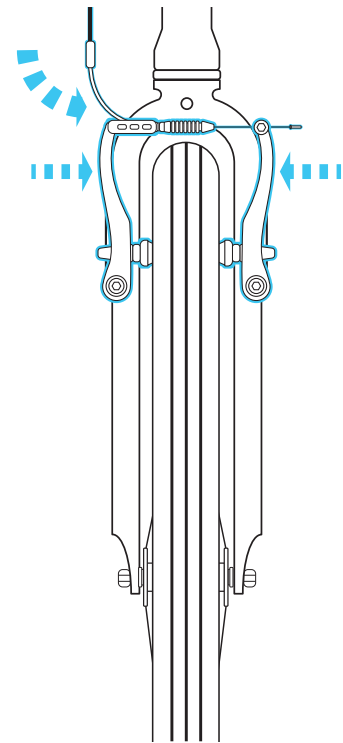


07



NEED HELP?

Use camera to scan for video instructions



Need Help? Please click or call the team@sixthreezero.com or (310) 982-2877

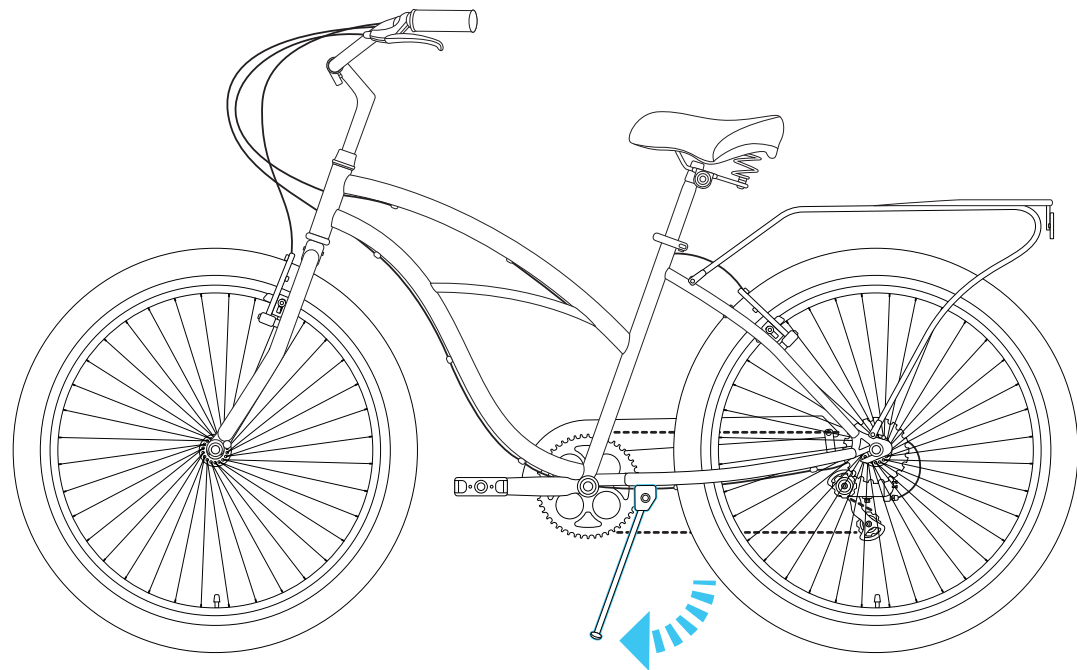
Need Help? Please click or call the team@sixthreezero.com or (310) 982-2877

08



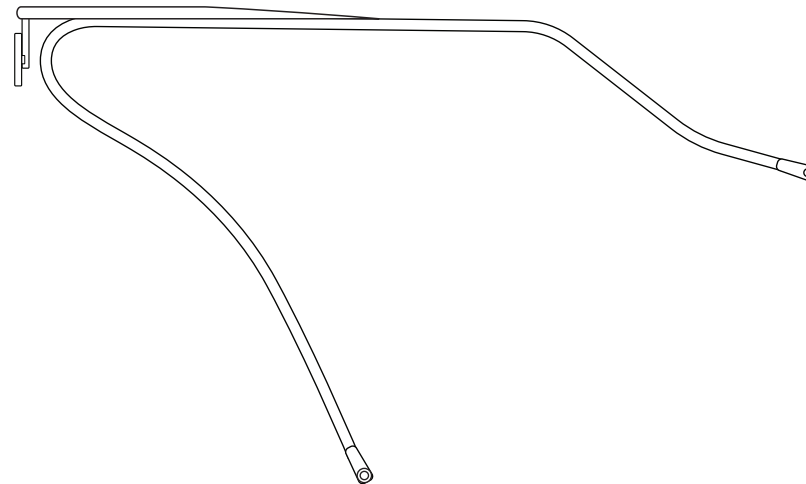
NEED HELP?

Use camera to scan
for video instructions



***Put kickstand down so bike will stand on its own.**

REAR RACK



09



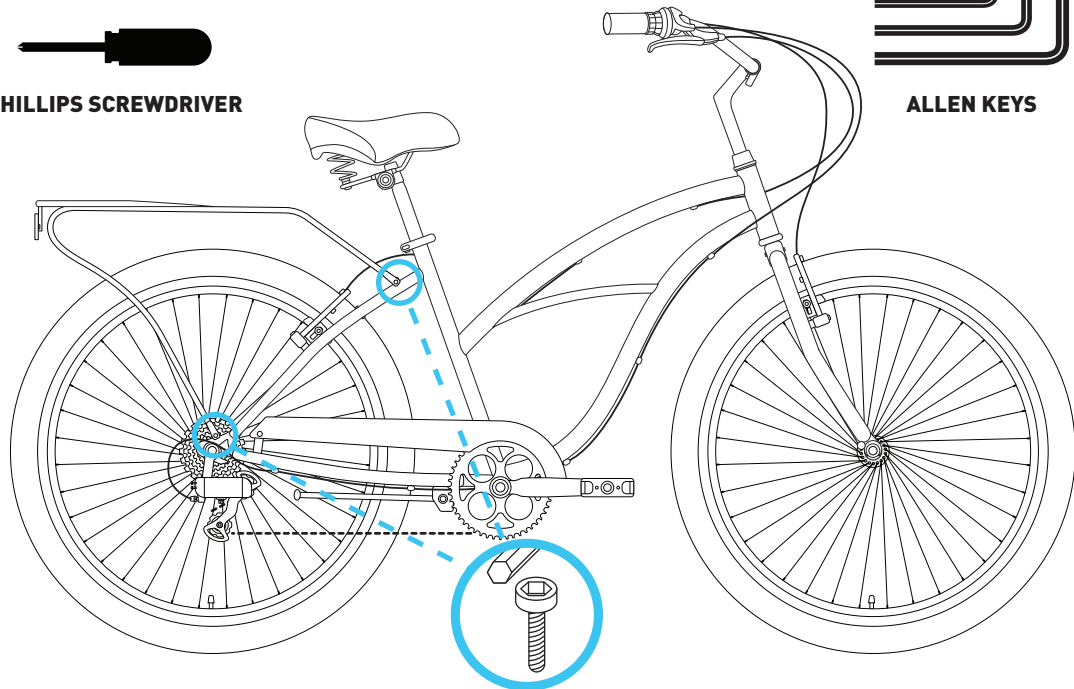
NEED HELP?
Scan for Rear Rack
instructions



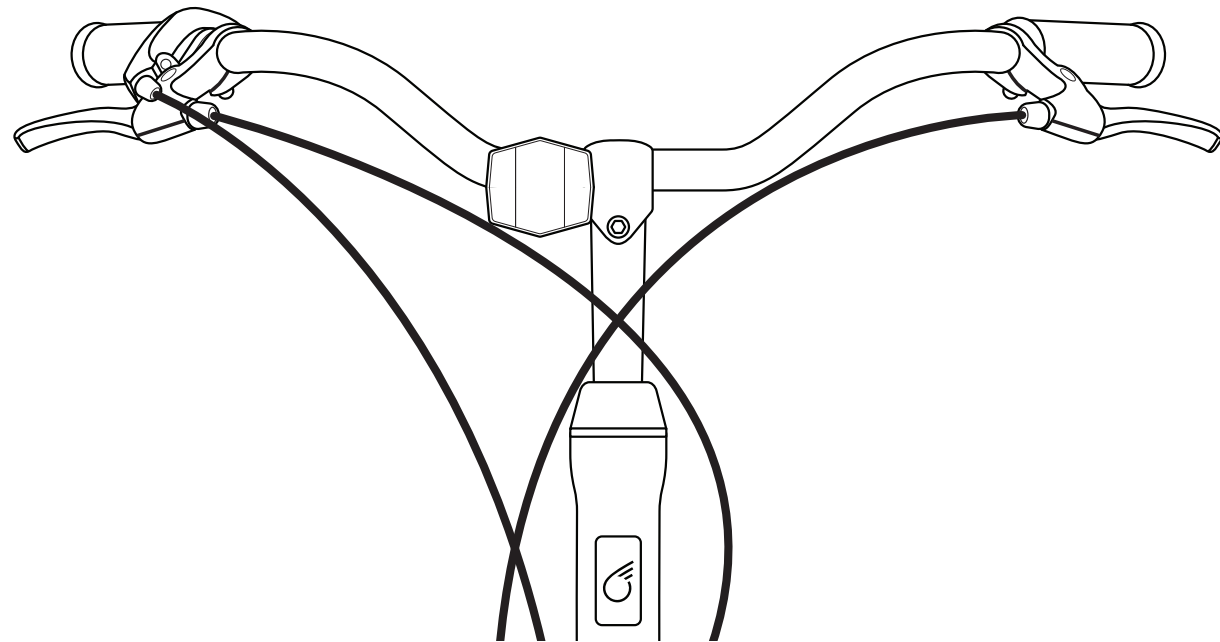
PHILLIPS SCREWDRIVER



ALLEN KEYS



HANDLEBARS



Need Help? Please click or call the team@sixthreezero.com or (310) 982-2877

10



NEED HELP?
Use camera to scan
for video instructions

11



NEED HELP?
Use camera to scan
for video instructions

12

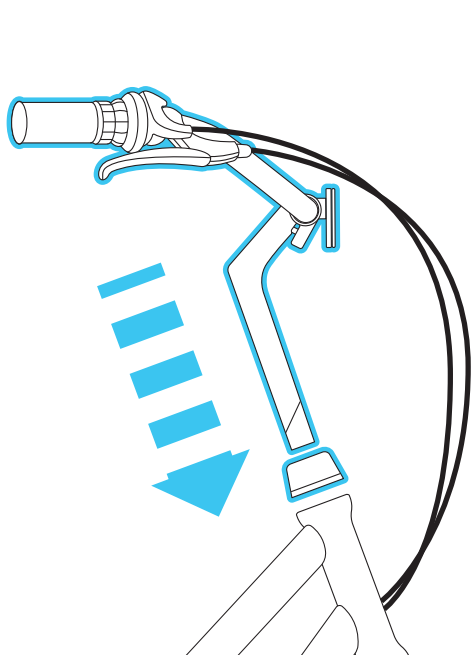


NEED HELP?
Use camera to scan
for video instructions

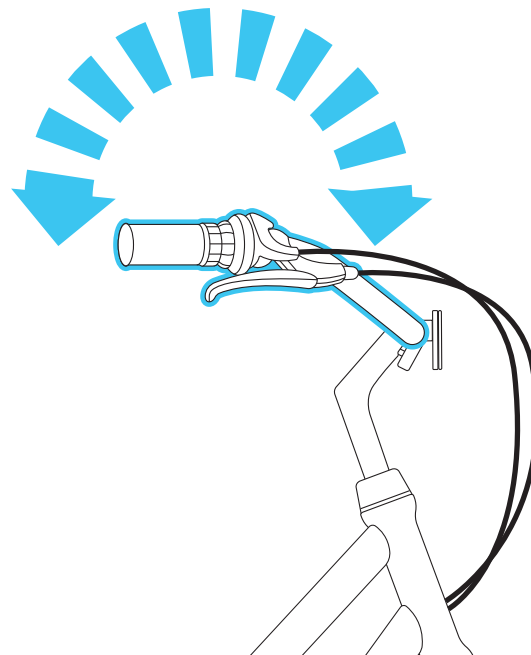
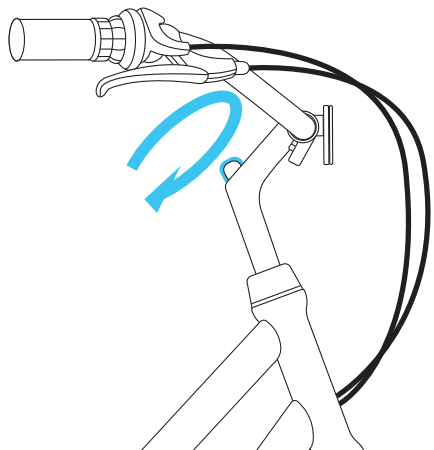
13



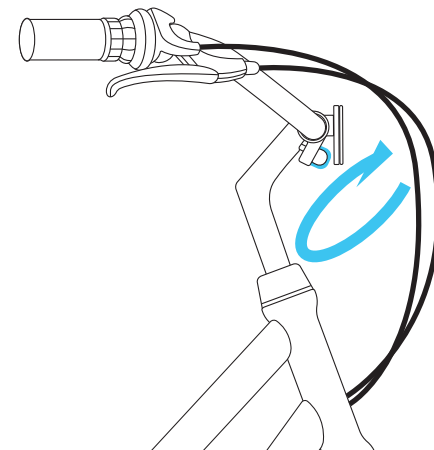
NEED HELP?
Use camera to scan
for video instructions



ALLEN KEYS

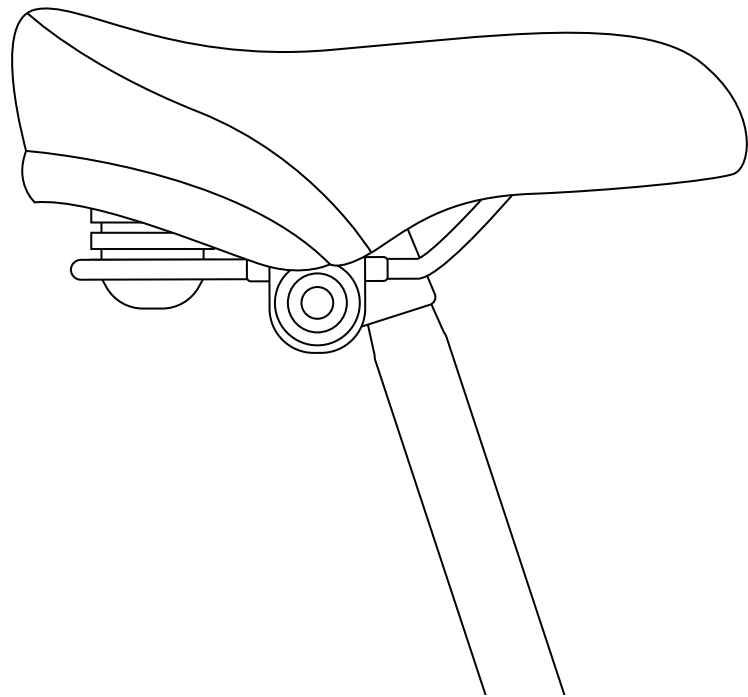


ALLEN KEYS



Need Help? Please click or call the team@sixthreezero.com or (310) 982-2877

SEAT



14



NEED HELP?

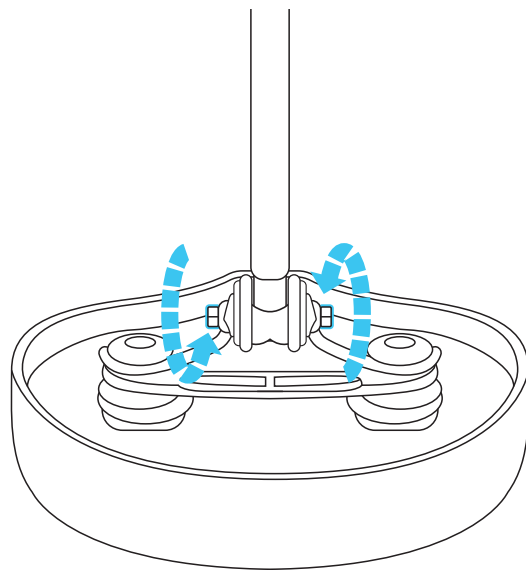
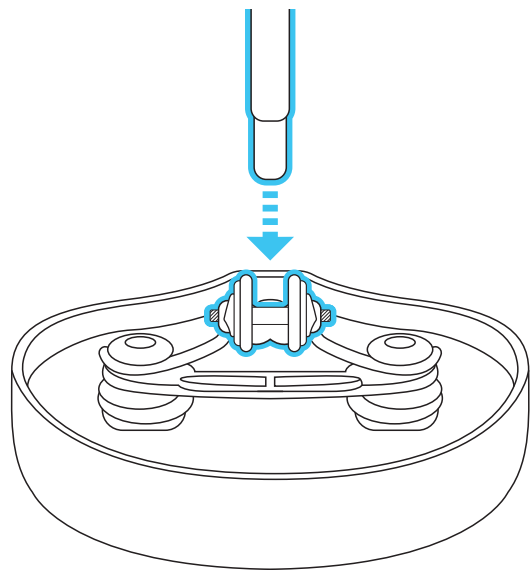
Use camera to scan for video instructions

15



NEED HELP?

Use camera to scan for video instructions



Caution: Do not drop seat post into bicycle frame. Install seat onto seat post **before** installing into bicycle frame to prevent dropping seat post down into the frame.

Need Help? Please click or call the team@sixthreezero.com or (310) 982-2877

16



NEED HELP?

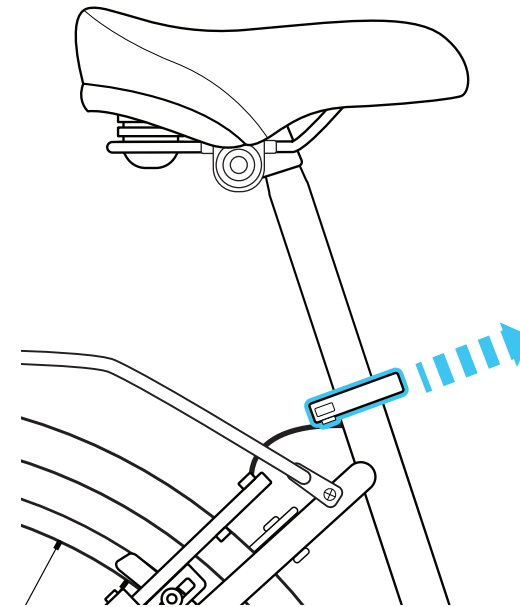
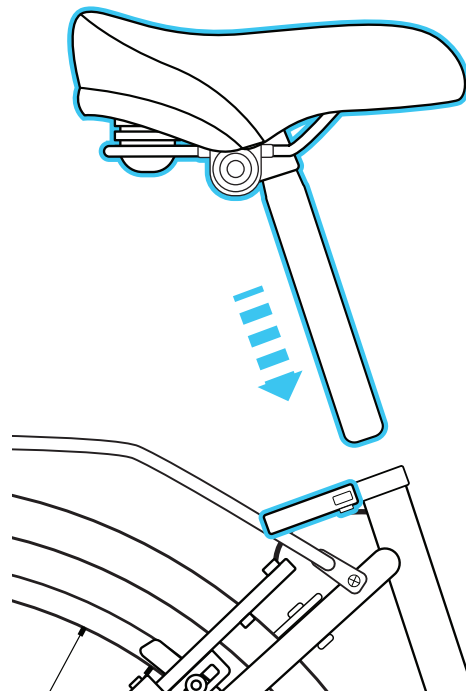
Use camera to scan for video instructions

17



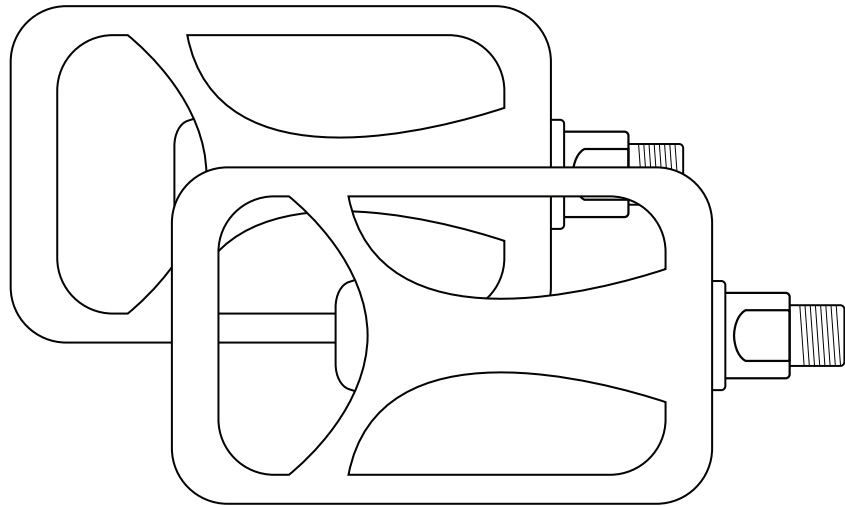
NEED HELP?

Use camera to scan for video instructions



Need Help? Please click or call the team@sixthreezero.com or (310) 982-2877

PEDALS



18



NEED HELP?

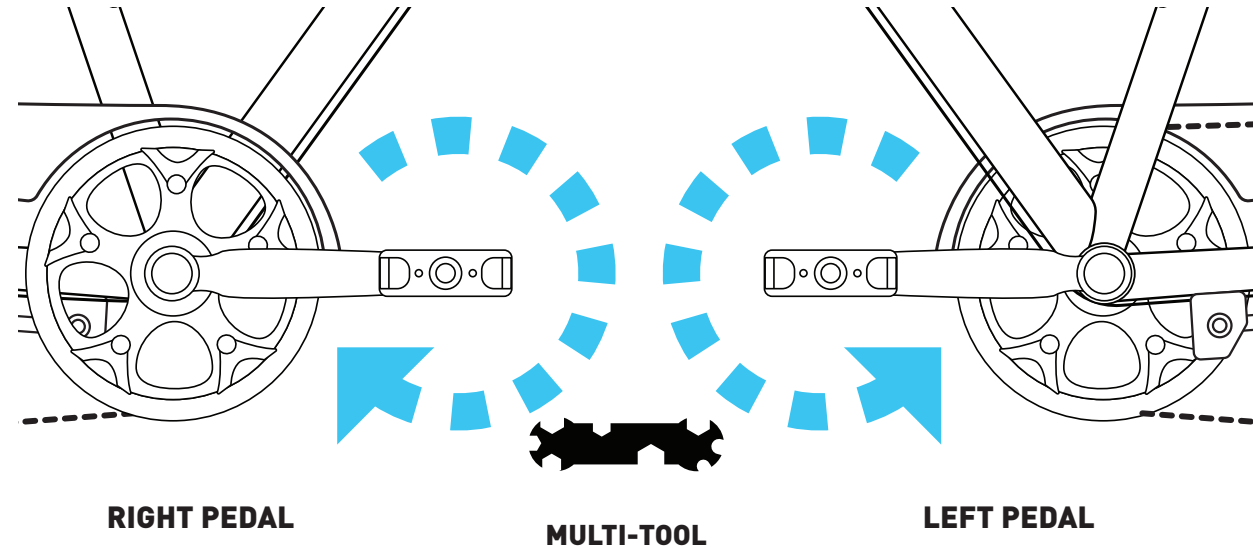
Use camera to scan
for video instructions

19



NEED HELP?

Use camera to scan
for video instructions



RIGHT PEDAL

MULTI-TOOL

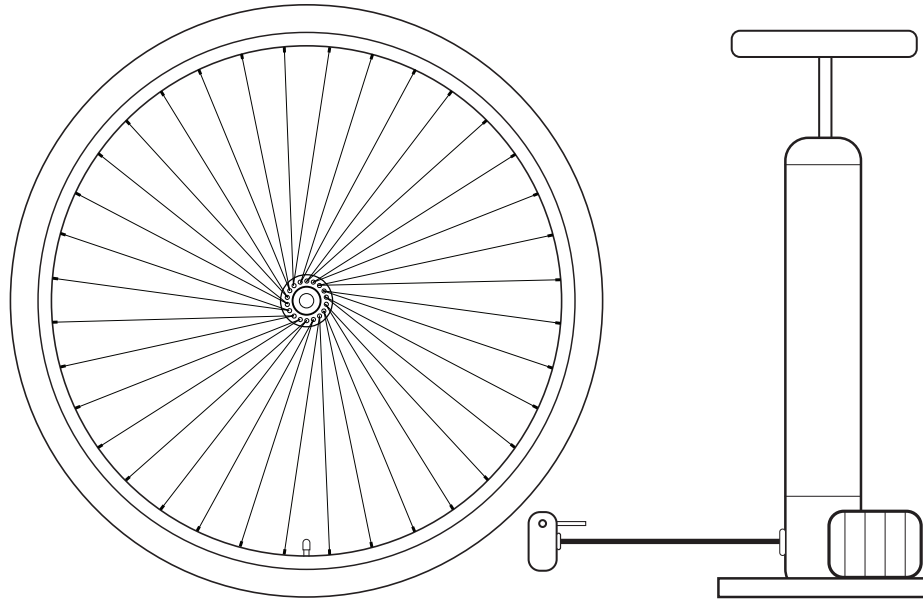
LEFT PEDAL

CAUTION:

*Left Pedal has left hand threads.
Turn counterclockwise to install.*

TIRES

Tire pressure PSI is found on the tire sidewall.



Need Help? Please click or call the team@sixthreezero.com or (310) 982-2877

TEST RIDE

Make sure your ride is smooth by testing it. If you experience any issues your bicycle may need brake or gear adjustments. Scan codes below for a quick tutorial.

Need Help? Please click or call the team@sixthreezero.com or (310) 982-2877

TUNING



BRAKE TUNING
Use camera to scan for video instructions

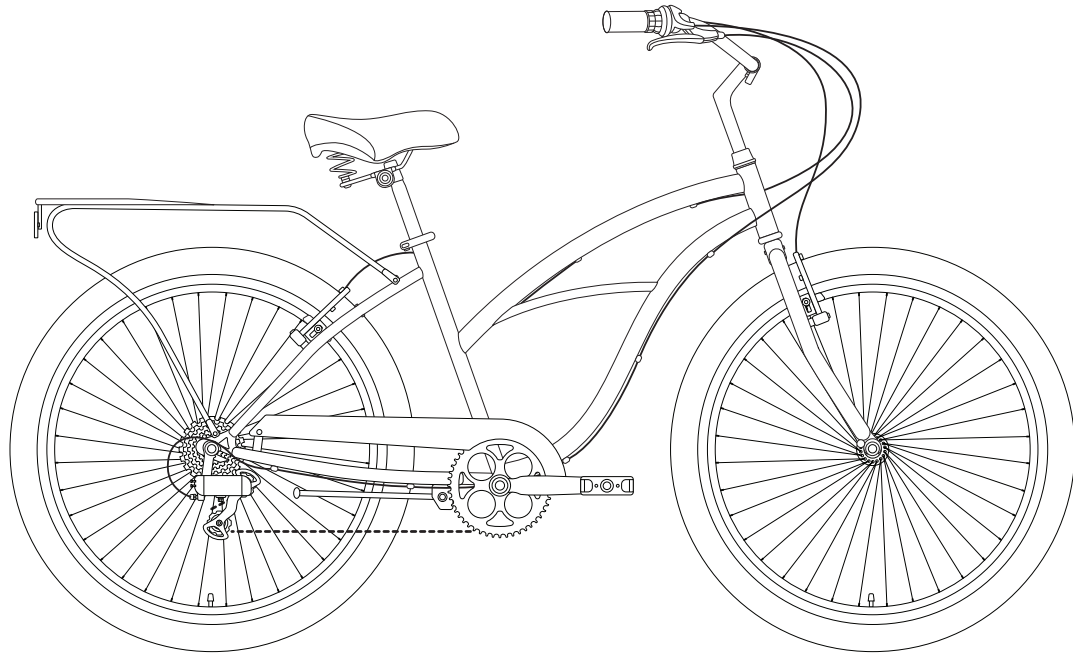


GEAR TUNING
Use camera to scan for video instructions



SEAT CLAMP RE-ASSEMBLY
Use camera to scan for video instructions

CONGRATULATIONS!



SURVEY

Tell us about your assembly experience! If you are having any trouble at all or not, and would like to leave feedback to help us improve our assembly experience, please go to our survey at:

goo.gl/6enZji

RECORD YOUR SIXTHREEZERO'S INFO

BICYCLE SERIAL # _____	DATE OF PURCHASE _____
BATTERY SERIAL # _____	DEALER'S NAME _____
MODEL _____	DEALER'S PHONE _____
COLOR _____	DEALER'S EMAIL _____

PLEASE REGISTER YOUR SIXTHREEZERO AT [SIXTHREEZERO.COM/REGISTER](https://sixthreezero.com/register)

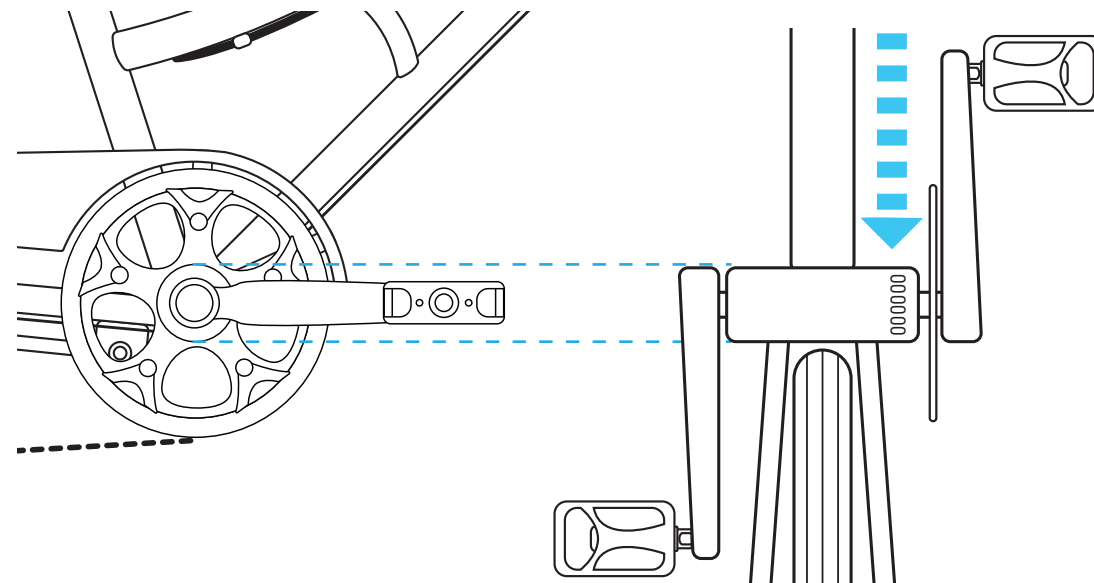
You must register your sixthreezero within 30 days of purchase for warranty to be valid

WE STRIVE FOR PERFECT, ALTHOUGH IT'S NOT ALWAYS POSSIBLE, WE NEVER LEAVE A RIDER BEHIND.

REGISTER



Most Sixthreezero bicycles have their serial number stamped into the bottom of the frame below the bottom bracket. You'll need to lift it up to see underneath, or use a smart phone to take a photo (with the flash) of the underside. The serial number is located on the frame behind the chainring. Contact us if you're having trouble finding the serial number.



Need Help? Please click or call the team@sixthreezero.com or (310) 982-2877



SIX**THREE**ZERO
LOS ANGELES, CA