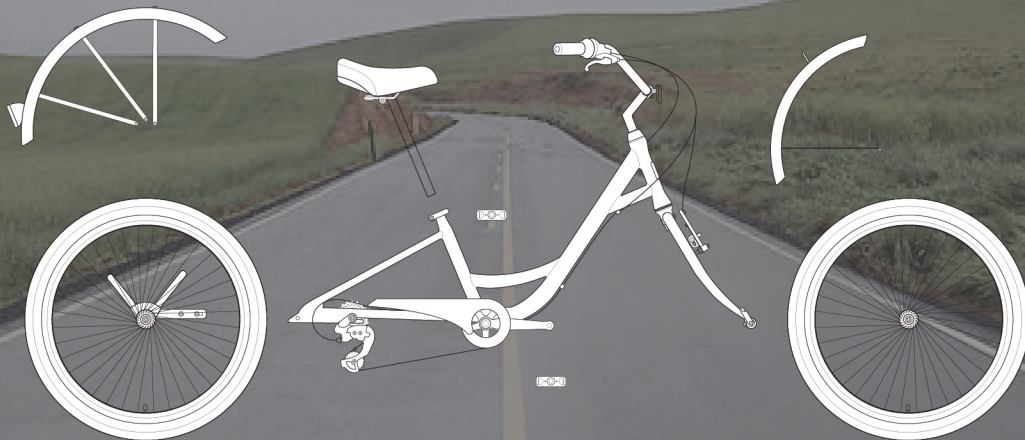




SIXTHREEZERO

ASSEMBLY GUIDE





OUR COMMITMENT

We want you to love your bike as much as we do.
If you run into any issues, no matter how small,
let us know and we'll take care of you.

SIXTHREEZERO
THETEAM@SIXTHREEZERO.COM
310.982.2877

REGISTER YOUR WHEELS

Take advantage of our lifetime warranty.
If something breaks, we'll replace it, no questions asked.

VISIT THE LINK BELOW

<http://www.sixthreezero.com/pages/register-your-bike>

Need Help? Please click or call theteam@sixthreezero.com or (310) 982-2877

TOOLS YOU'LL NEED

Creating something wonderful with your own hands is basically the best feeling ever. We want you to have fun building your new bike, so there's only a few things you need to get started.

Need Help? Please click or call theteam@sixthreezero.com or (310) 982-2877



SCISSORS
(TO CUT ZIP TIES)



MULTI-TOOL



ALLEN KEYS



**PHILLIPS
SCREWDRIVER**



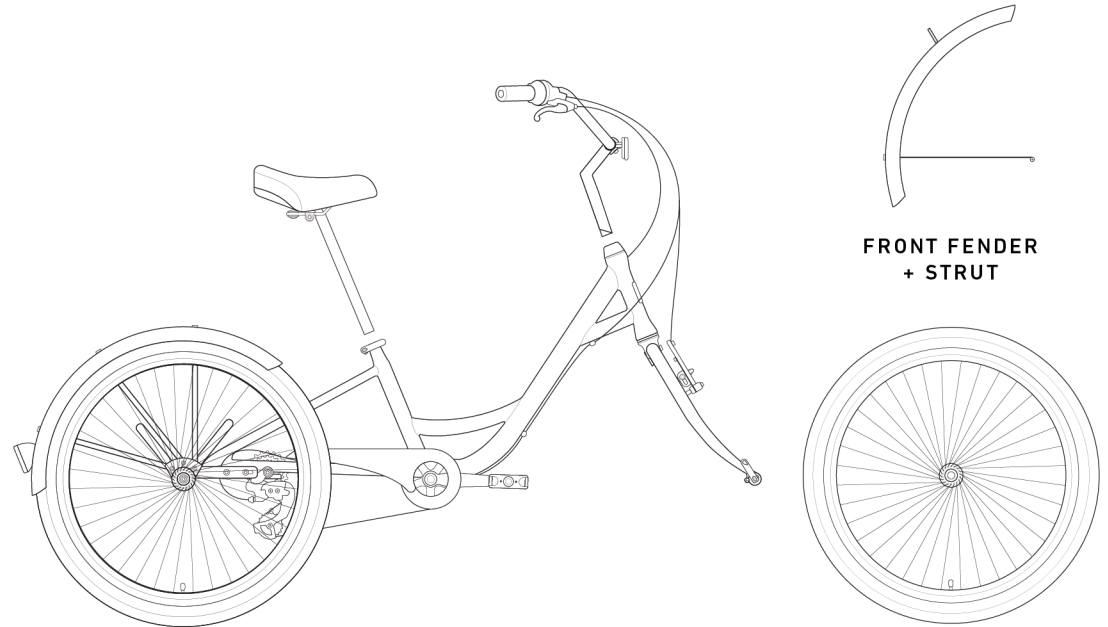
**BICYCLE
TIRE PUMP**

WHAT'S IN EACH BOX?

Lay out all the parts in front of you.
Make sure to **remove all packaging** before you get started.

Need Help? Please click or call theteam@sixthreezero.com or (310) 982-2877

BICYCLE BOX 1



HANDLE BAR / FRAME / REAR
WHEEL AND REAR RACK SET-UP

FRONT FENDER
+ STRUT

QUICK RELEASE
FRONT WHEEL

BOX 2



**EXPERIENCE
BOOKLET**



**ASSEMBLY
GUIDE**



MULTI-TOOL



**4, 5, AND 6MM
ALLEN KEYS**

BOX 3



PEDALS

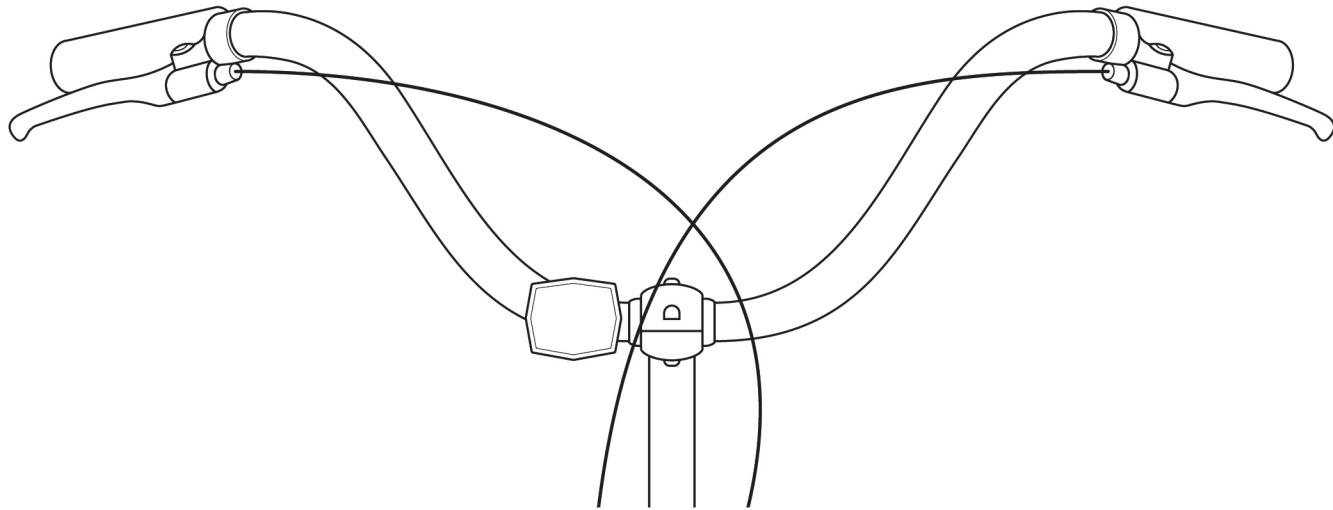


LOCK NUT CAP

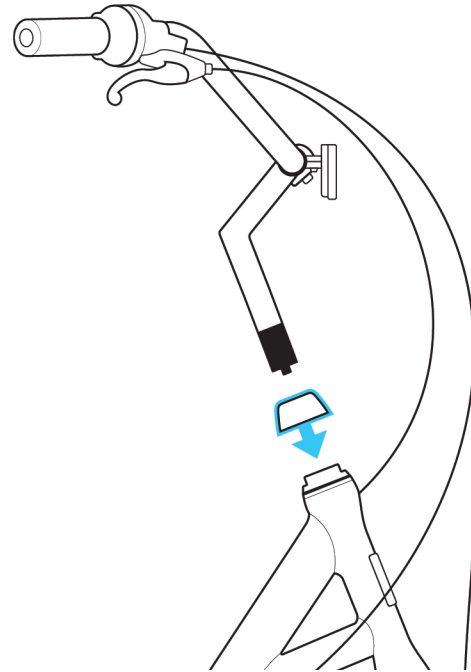


**QUICK RELEASE
SKEWER**

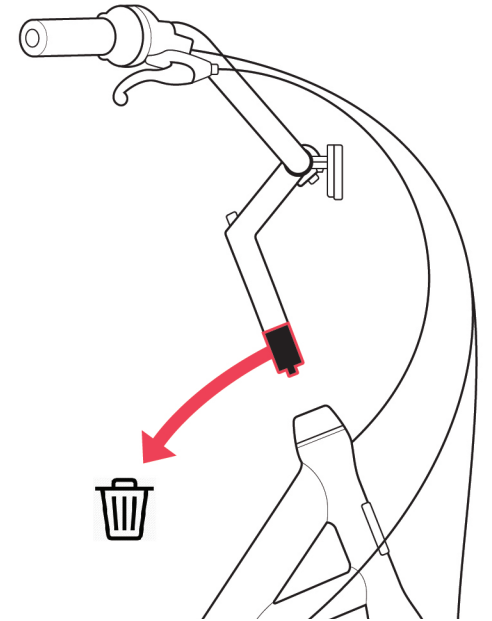
HANDLEBARS



01

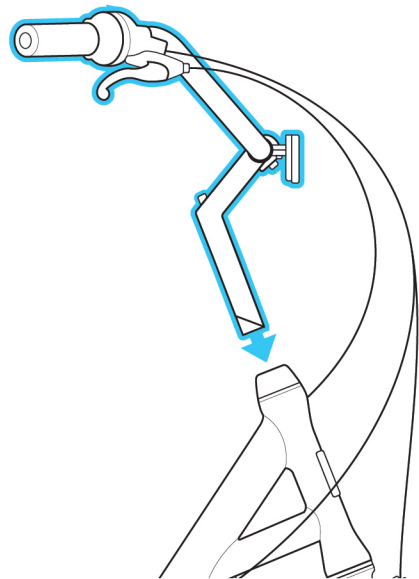


02



Need Help? Please click or call theteam@sixthreezero.com or (310) 982-2877

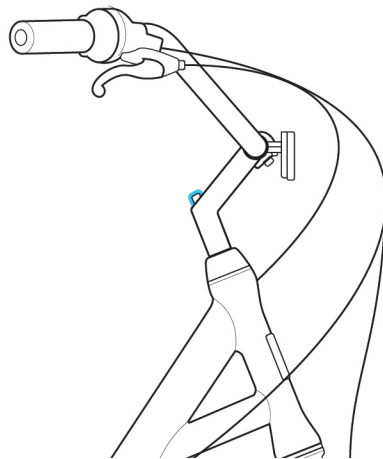
03



04



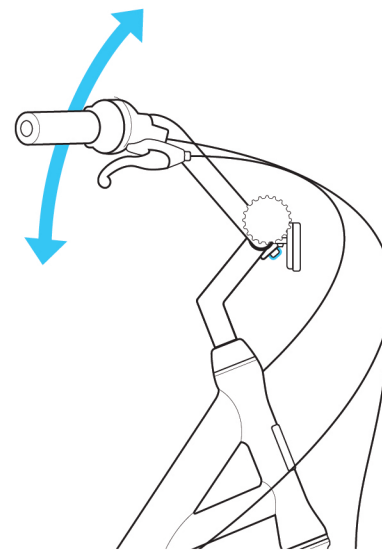
6MM ALLEN KEY



05



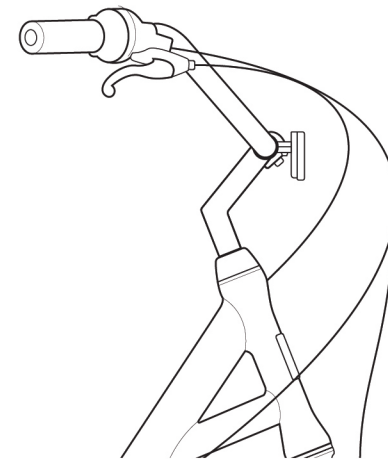
6MM ALLEN KEY



06



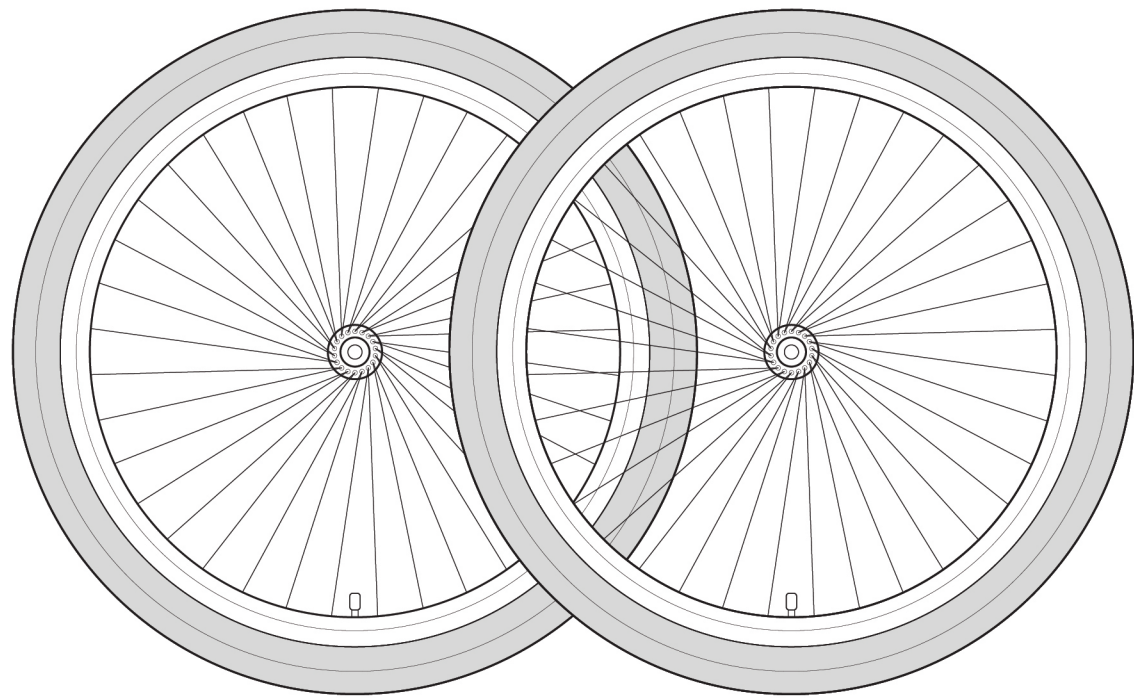
NEED HELP?
Use camera to scan
for 8 second video



Need Help? Please click or call theteam@sixthreezero.com or (310) 982-2877

Need Help? Please click or call theteam@sixthreezero.com or (310) 982-2877

REAR WHEELS



07



15MM MULTI-TOOL

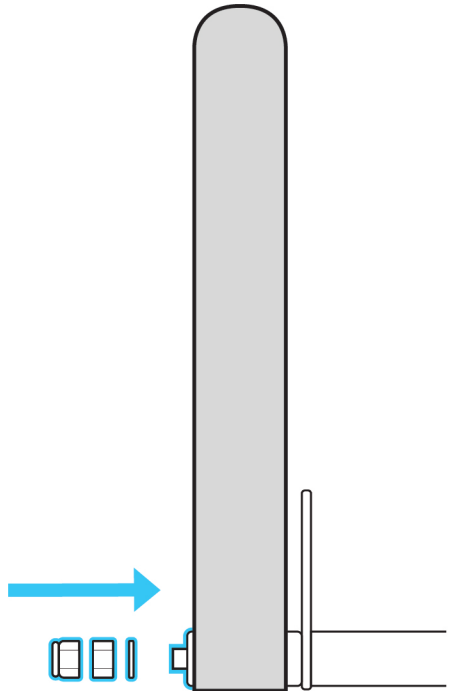
08



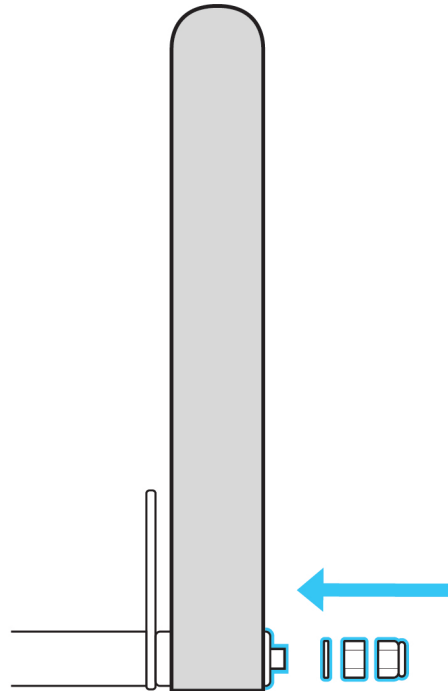
Need Help? Please click or call theteam@sixthreezero.com or (310) 982-2877

09


15MM MULTI-TOOL



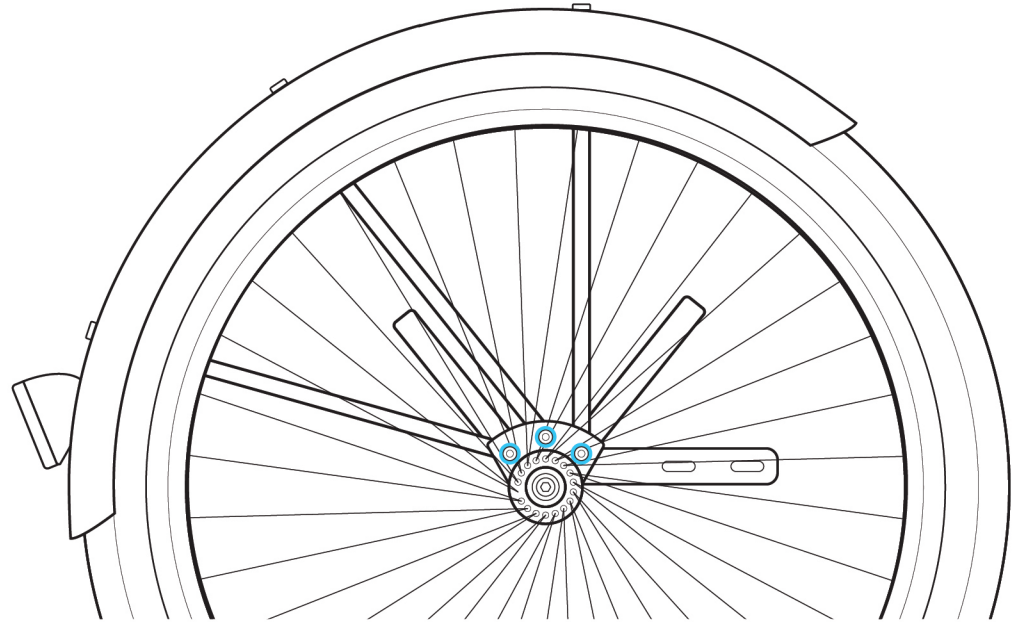
10



Need Help? Please click or call theteam@sixthreezero.com or (310) 982-2877

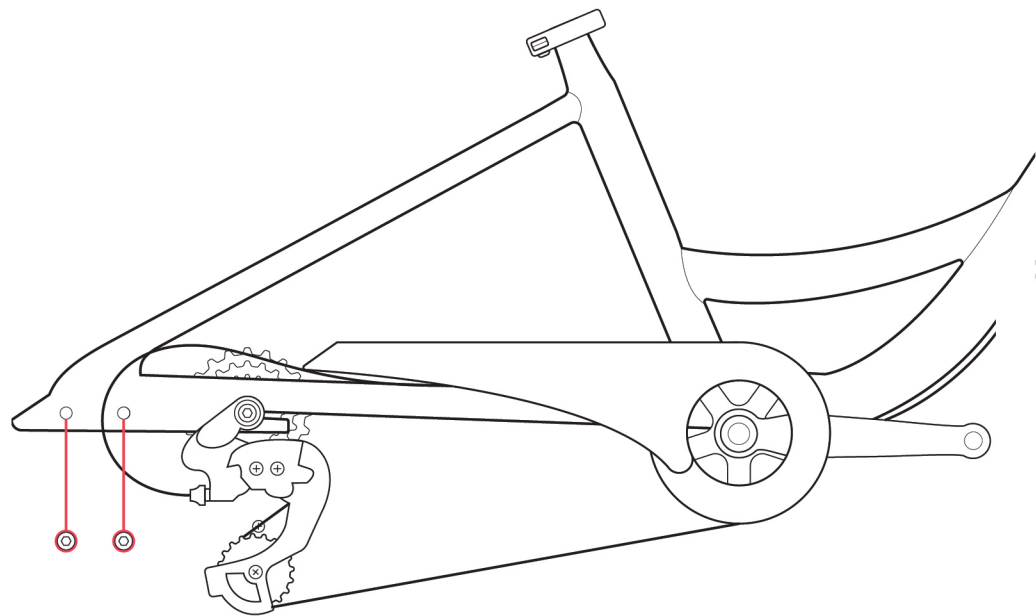
11


15MM MULTI-TOOL



Need Help? Please click or call theteam@sixthreezero.com or (310) 982-2877

12



Need Help? Please click or call theteam@sixthreezero.com or (310) 982-2877

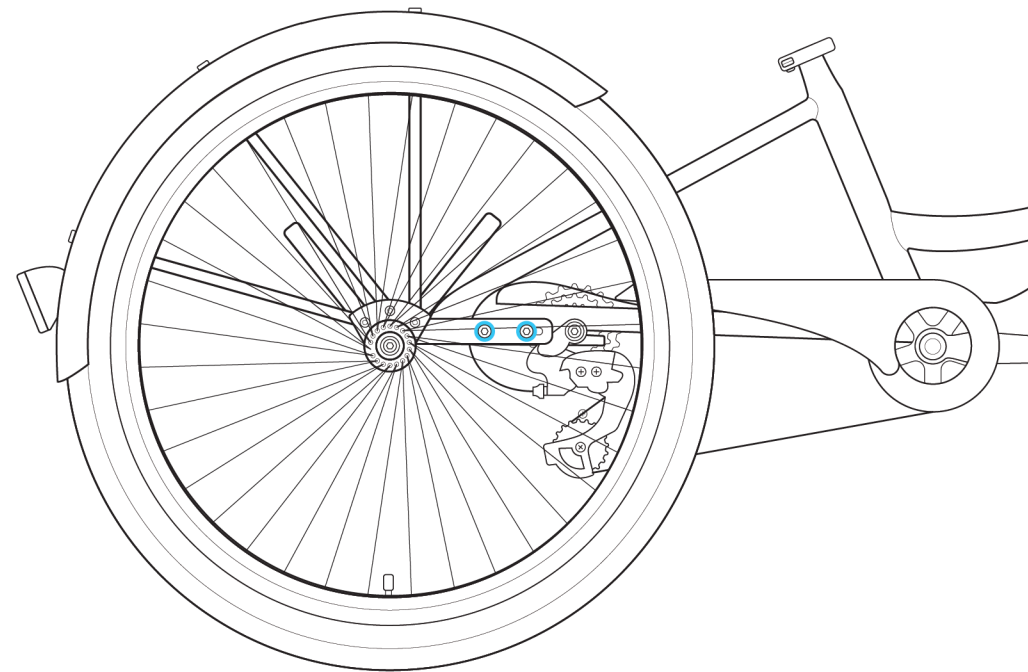
13



15MM MULTI-TOOL

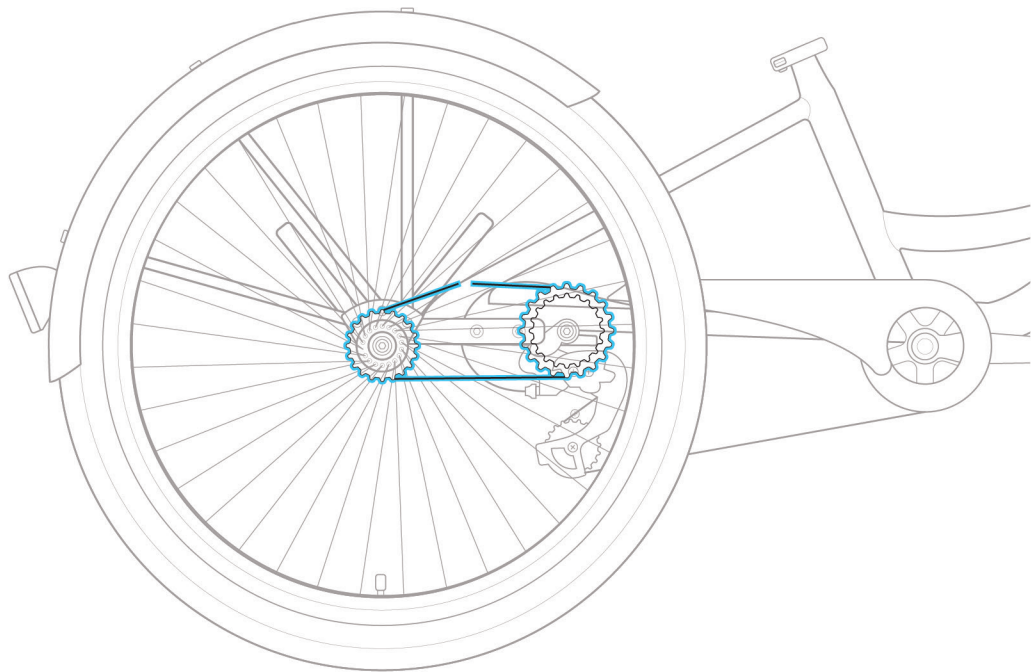
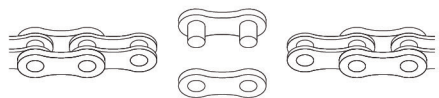


NEED HELP?
Use camera to scan
for instructional video



Need Help? Please click or call theteam@sixthreezero.com or (310) 982-2877

14



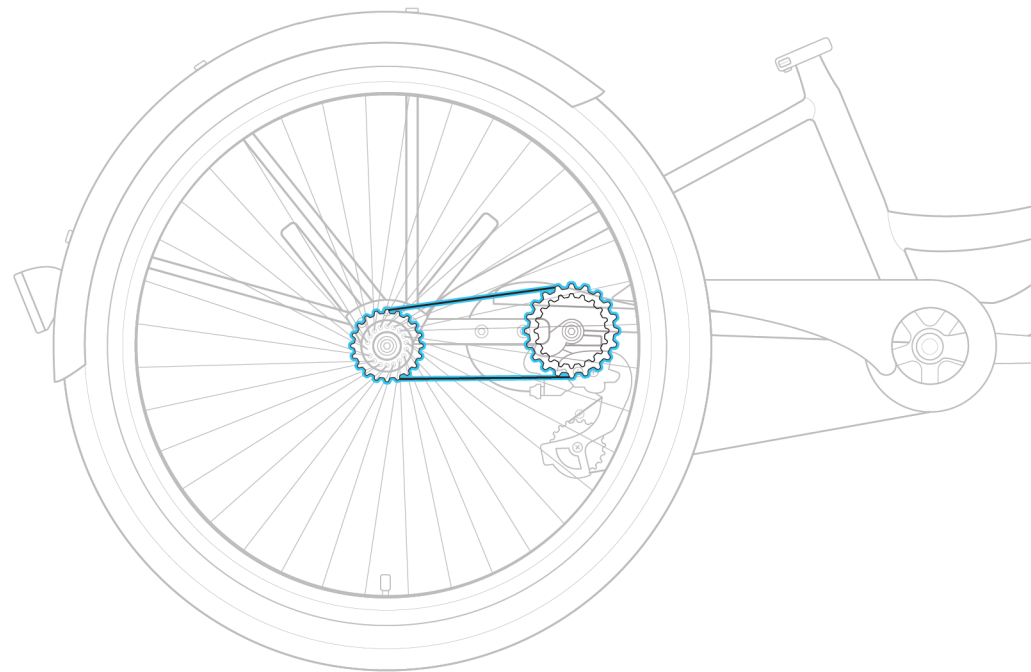
Need Help? Please click or call theteam@sixthreezero.com or (310) 982-2877

15



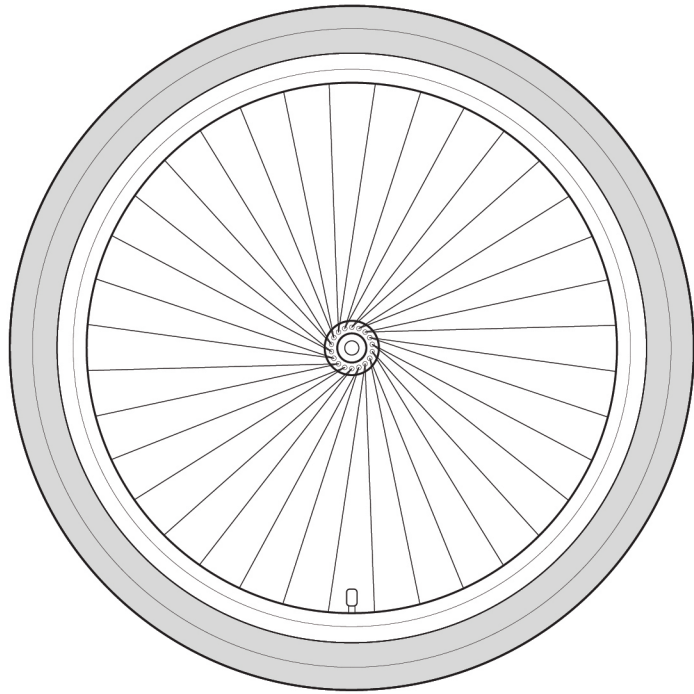
NEED HELP?

Use camera to scan
for instructional video

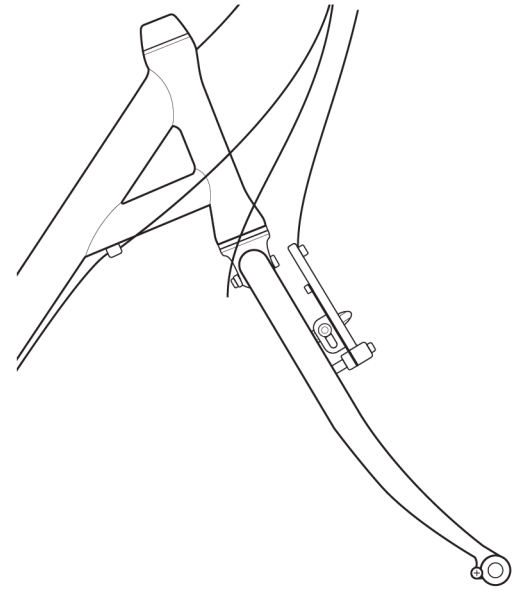
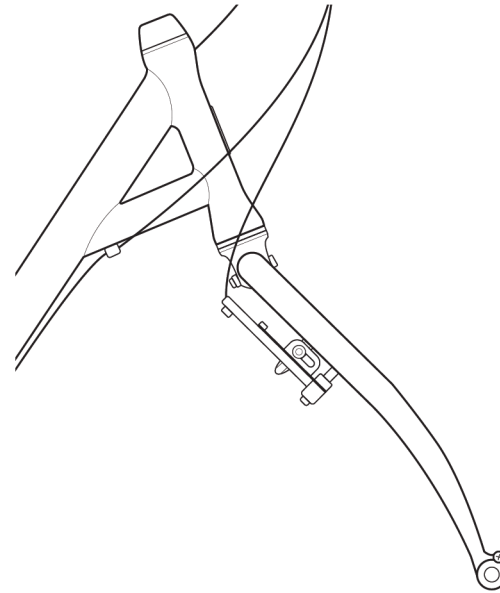


Need Help? Please click or call theteam@sixthreezero.com or (310) 982-2877

FRONT WHEEL



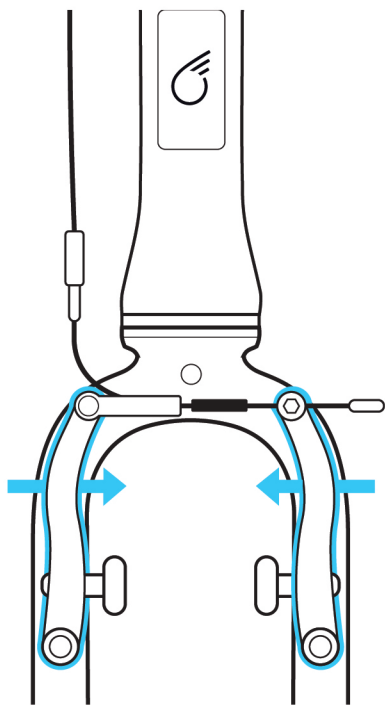
16



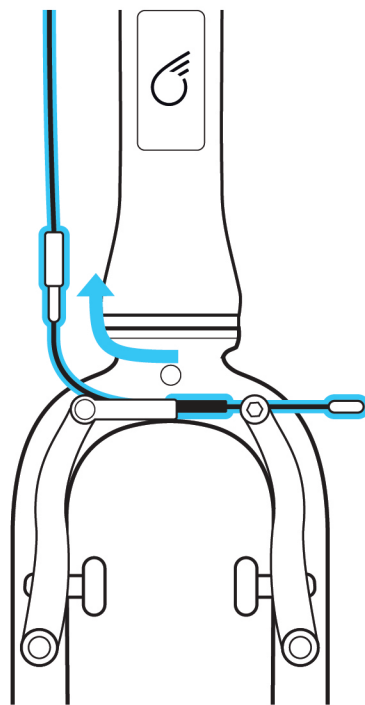
17



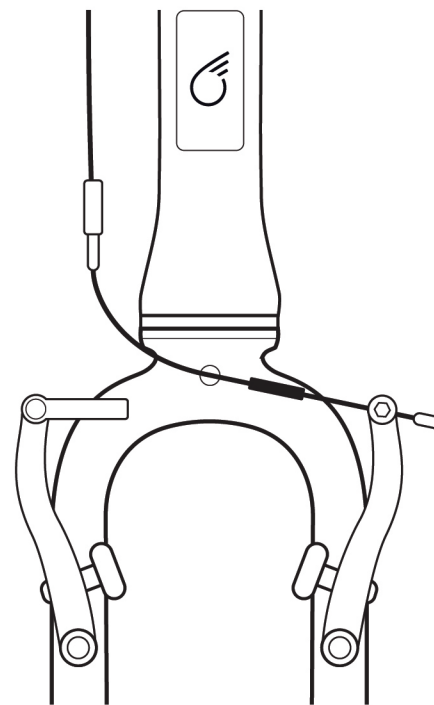
NEED HELP?
Use camera to scan
for 5 second video



18



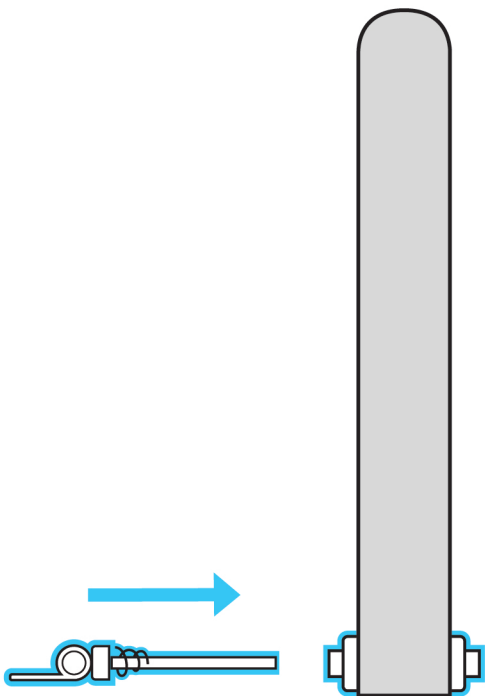
19



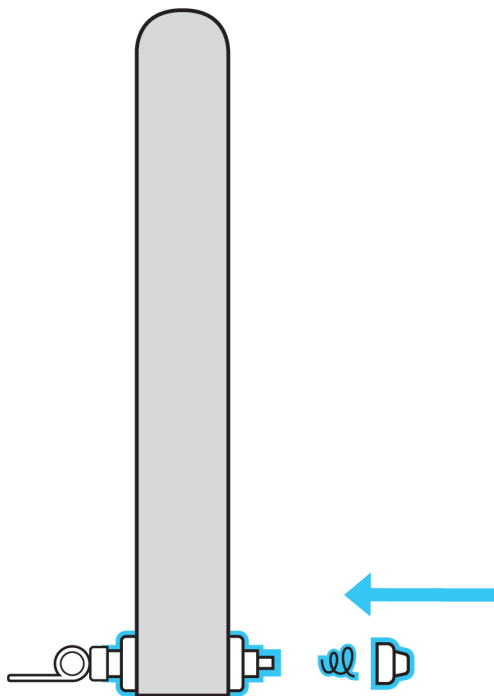
Need Help? Please click or call theteam@sixthreezero.com or (310) 982-2877

Need Help? Please click or call theteam@sixthreezero.com or (310) 982-2877

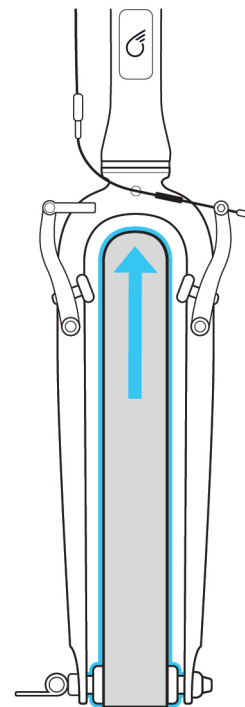
20



21



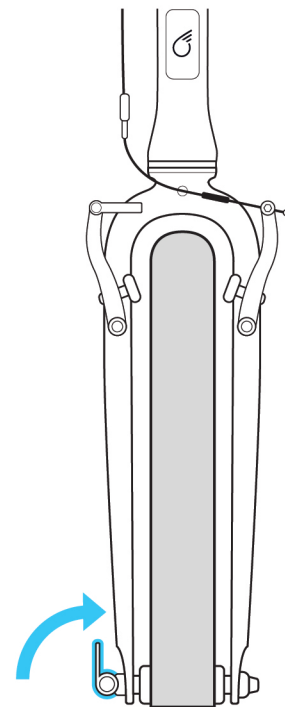
22



23



NEED HELP?
Use camera to scan
for 21second video



Need Help? Please click or call theteam@sixthreezero.com or (310) 982-2877

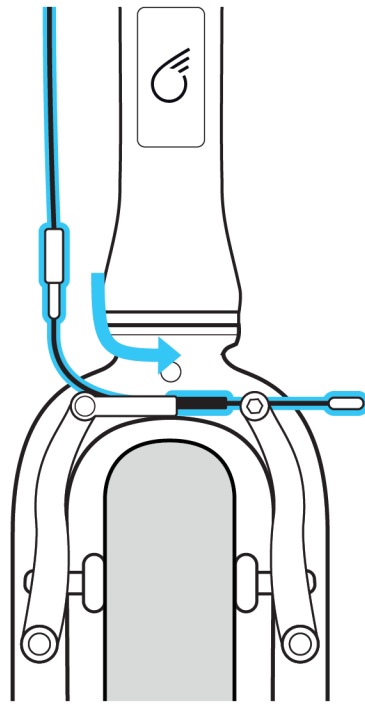
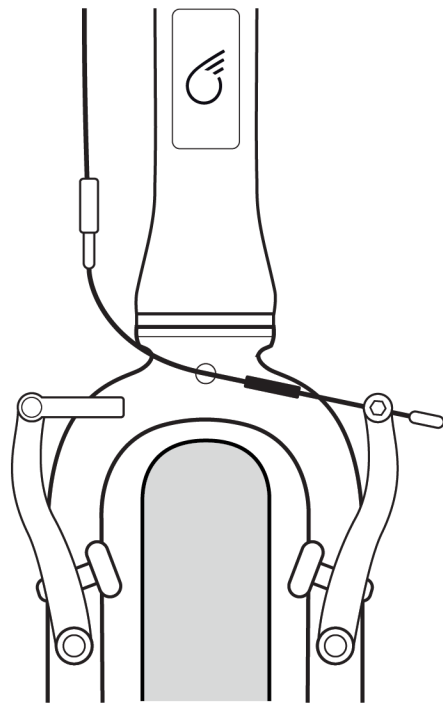
Need Help? Please click or call theteam@sixthreezero.com or (310) 982-2877

24

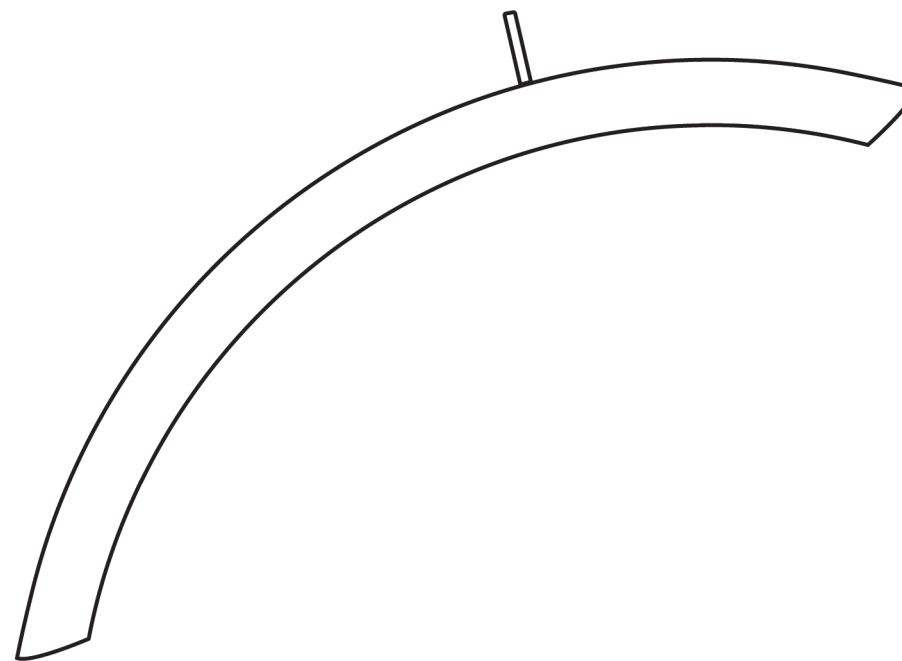


NEED HELP?
Use camera to scan
for instructional video

25



FENDERS



Need Help? Please click or call theteam@sixthreezero.com or (310) 982-2877

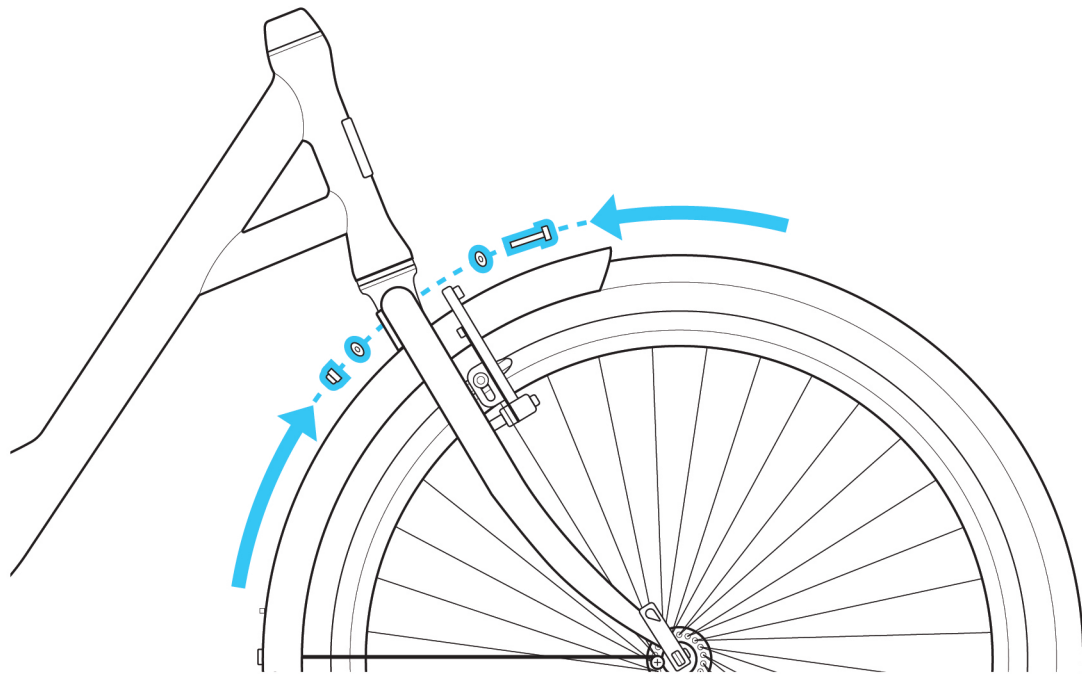
26



PHILLIPS SCREWDRIVER



4MM ALLEN KEY

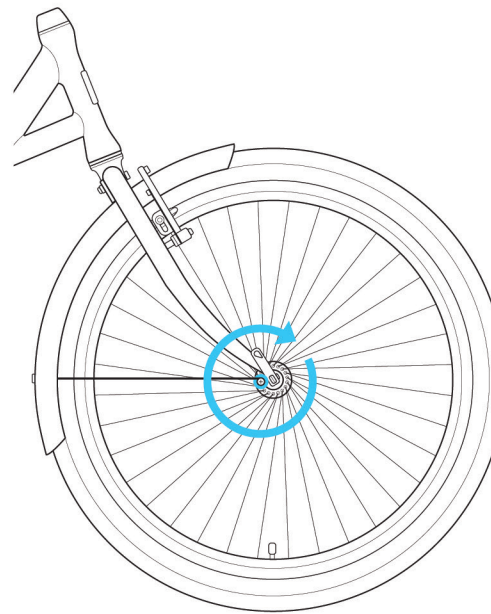


Need Help? Please click or call theteam@sixthreezero.com or (310) 982-2877

27

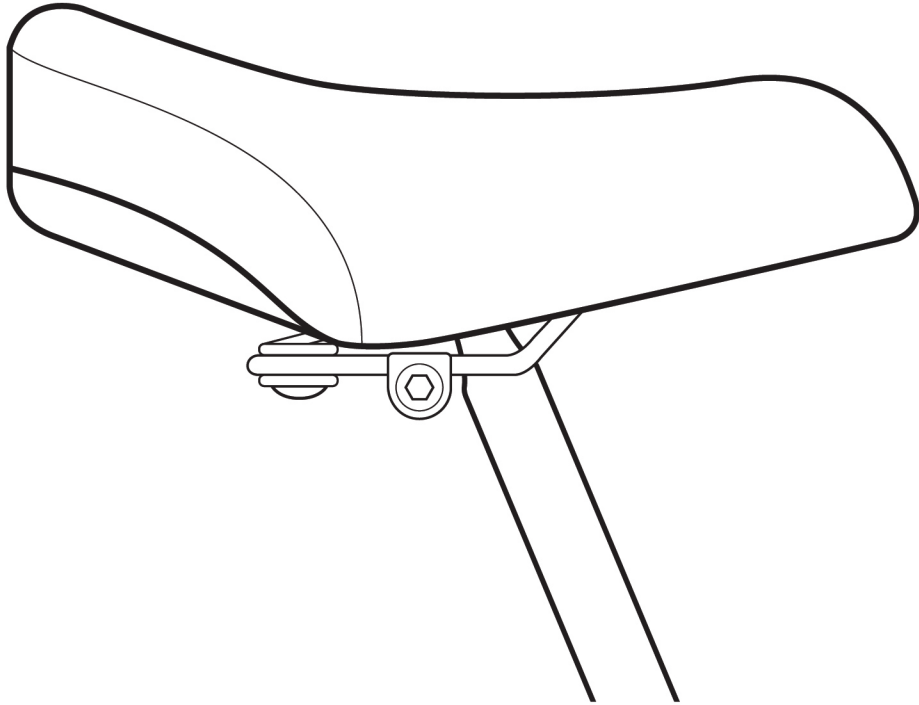


4MM ALLEN KEY

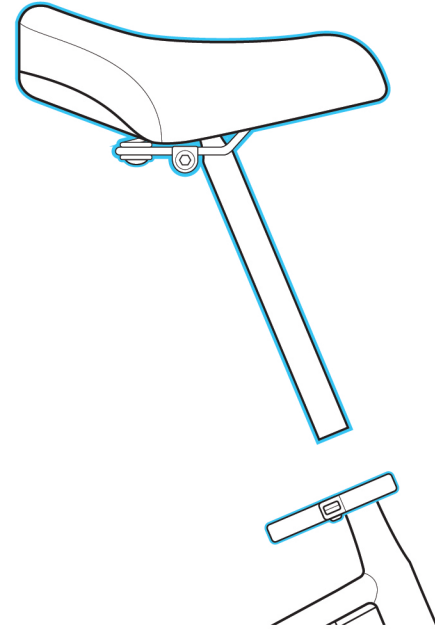


Need Help? Please click or call theteam@sixthreezero.com or (310) 982-2877

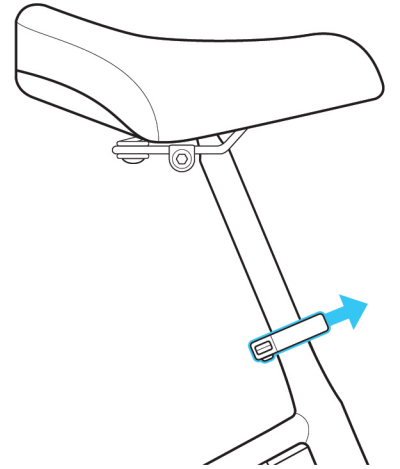
SEAT



28



29

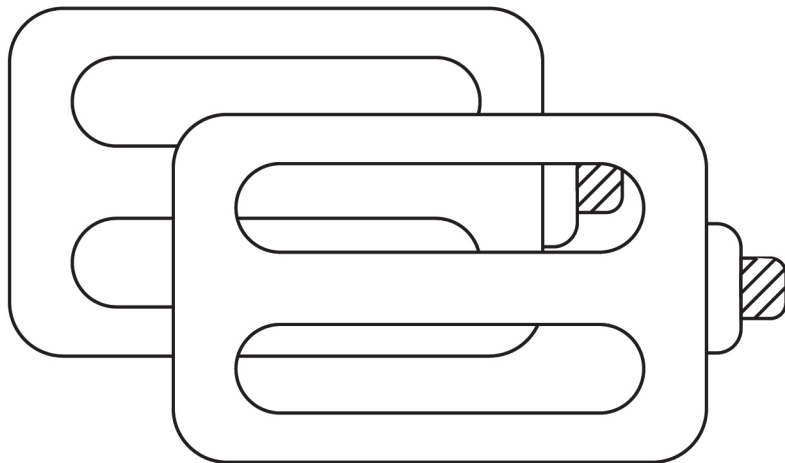


PEDALS



NEED HELP?

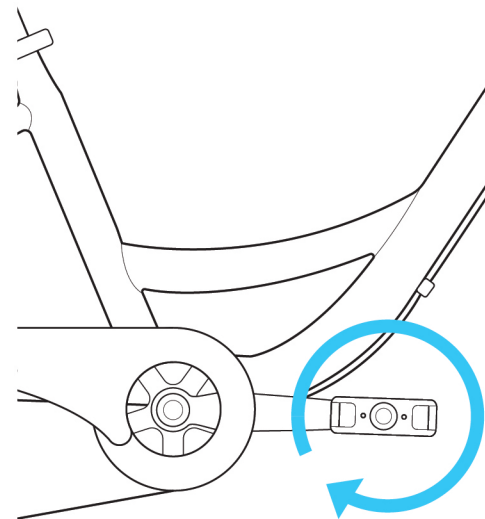
Use camera to scan
for 6 second video



30



15MM MULTI-TOOL

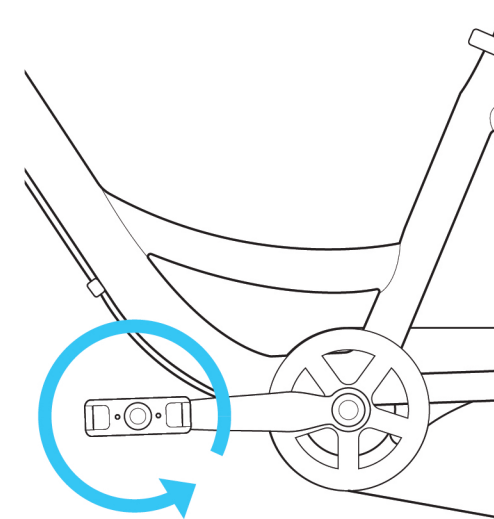


RIGHT

31

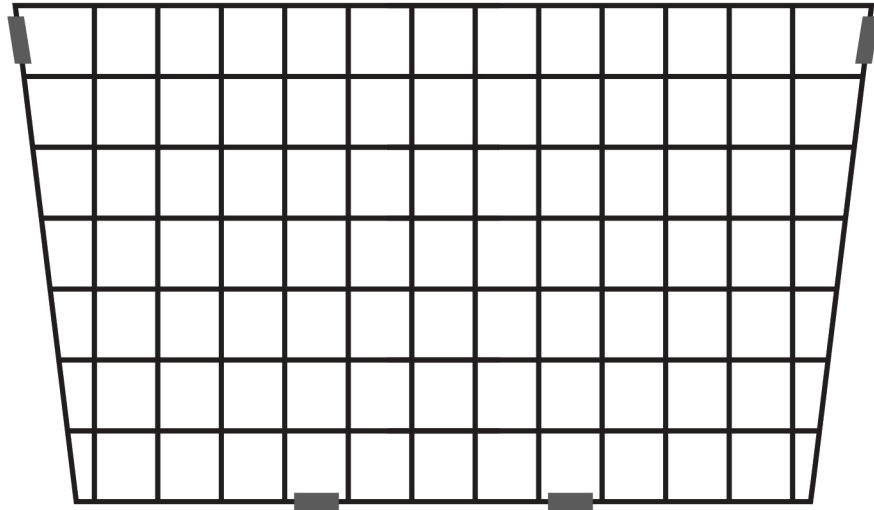


15MM MULTI-TOOL

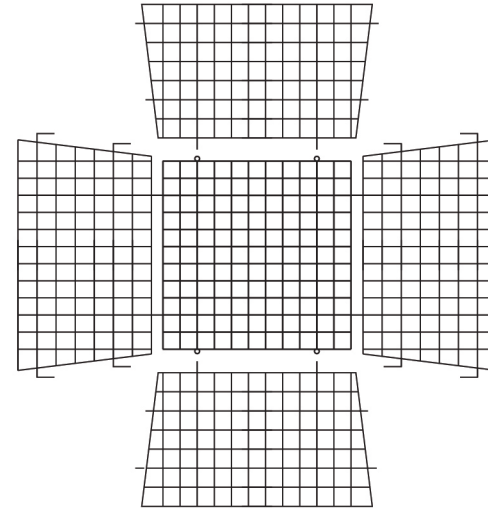


LEFT

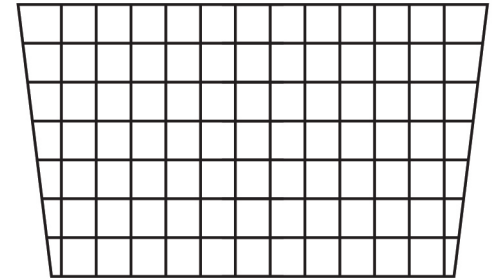
BASKET



32



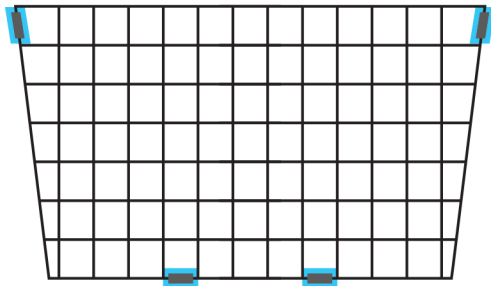
33



34



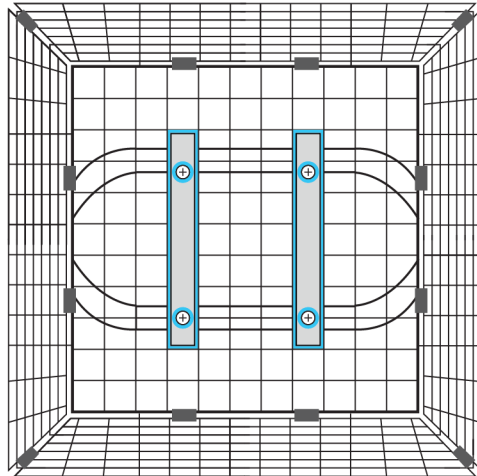
NEED HELP?
Use camera to scan
for instructional video



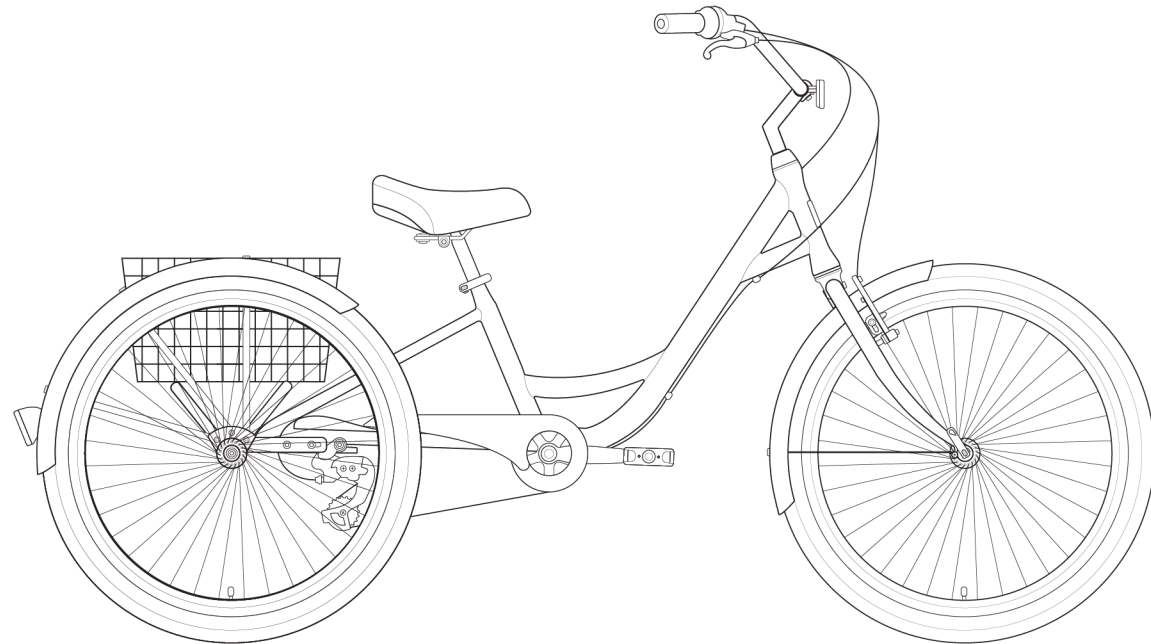
35



PHILLIPS SCREWDRIVER



CONGRATULATIONS!



TIRES

Inflate tires to 65 PSI



**BICYCLE
TIRE PUMP**

TEST RIDE

Make sure your ride is smooth by testing it. If you experience any issues your bicycle may need brake or gear adjustments. Scan codes below for a quick tutorial.

TUNING



BRAKE TUNING

Use camera to scan for video instructions



GEAR TUNING

Use camera to scan for video instructions

RECORD YOUR SIXTHREEZERO'S INFO

BICYCLE SERIAL # _____	DATE OF PURCHASE _____
BATTERY SERIAL # _____	DEALER'S NAME _____
MODEL _____	DEALER'S PHONE _____
COLOR _____	DEALER'S EMAIL _____

PLEASE REGISTER YOUR SIXTHREEZERO AT [SIXTHREEZERO.COM/REGISTER](https://sixthreezero.com/register)

You must register your sixthreezero within 30 days of purchase for warranty to be valid

WE STRIVE FOR PERFECT, ALTHOUGH IT'S NOT ALWAYS POSSIBLE, WE NEVER LEAVE A RIDER BEHIND.

REGISTER

Most Sixthreezero bicycles have their serial number stamped into the bottom of the frame below the bottom bracket. You'll need to lift it up to see underneath, or use a smart phone to take a photo (with the flash) of the underside. The serial number is located on the frame behind the chainring. Contact us if you're having trouble finding the serial number.



HAVING TROUBLE? CALL 310.982.2877 OR EMAIL [THETEAM@SIXTHREEZERO.COM](mailto:theteam@sixthreezero.com).



SIX**THREE**ZERO
LOS ANGELES, CA

THETEAM@SIXTHREEZERO.COM
310.982.2877