

 *sixthreezero*

# ASSEMBLY GUIDE



**Body** Ease Dedicated



# OUR COMMITMENT

We want you to love your bike as much as we do.  
If you run into any issues, no matter how small,  
let us know and we'll take care of you.

SIXTHREEZERO  
THETEAM@SIXTHREEZERO.COM  
310.982.2877



# REGISTER YOUR WHEELS

Take advantage of our lifetime warranty.  
If something breaks, we'll replace it, no questions asked.

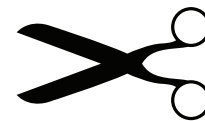
**VISIT THE LINK BELOW**

**<http://www.sixthreezero.com/pages/register-your-bike>**

# TOOLS YOU'LL NEED

Creating something wonderful with your own hands is basically the best feeling ever. We want you to have fun building your new bike, so there's only a few things you need to get started.

Need Help? Please click or call the [team@sixthreezero.com](mailto:team@sixthreezero.com) or (310) 982-2877



**SCISSORS**  
(TO CUT ZIP TIE)



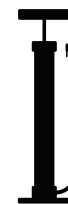
**ALLEN KEYS**



**15mm MULTI-TOOL**



**PHILLIPS SCREWDRIVER**



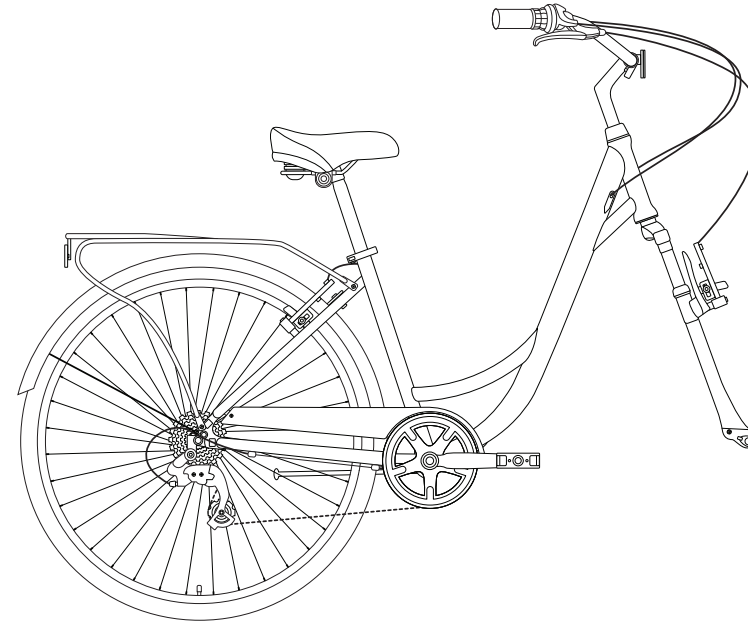
**BICYCLE TIRE PUMP**

# WHAT'S IN EACH BOX?

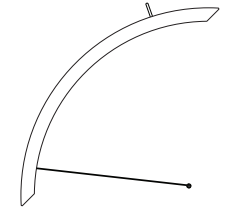
Layout all the parts in front of you.  
Make sure to **remove all packaging** before you get started.

Need Help? Please click or call the [team@sixthreezero.com](mailto:team@sixthreezero.com) or (310) 982-2877

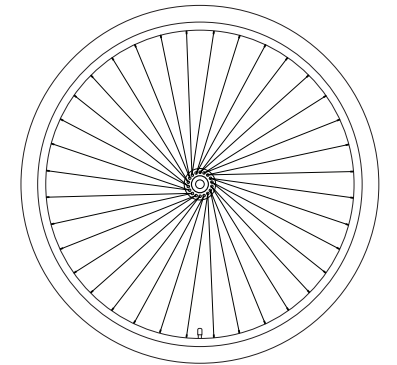
## BICYCLE BOX



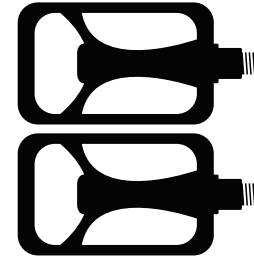
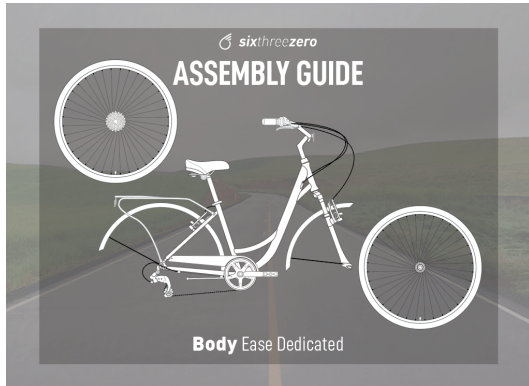
HANDLE BAR / FRAME / REAR  
WHEEL AND REAR RACK SET-UP



FRONT FENDER + STRUT



FRONT WHEEL  
WITH AXLE NUTS



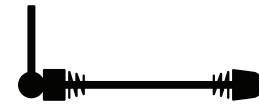
**PEDALS**



**4,5 & 6mm ALLEN KEYS**

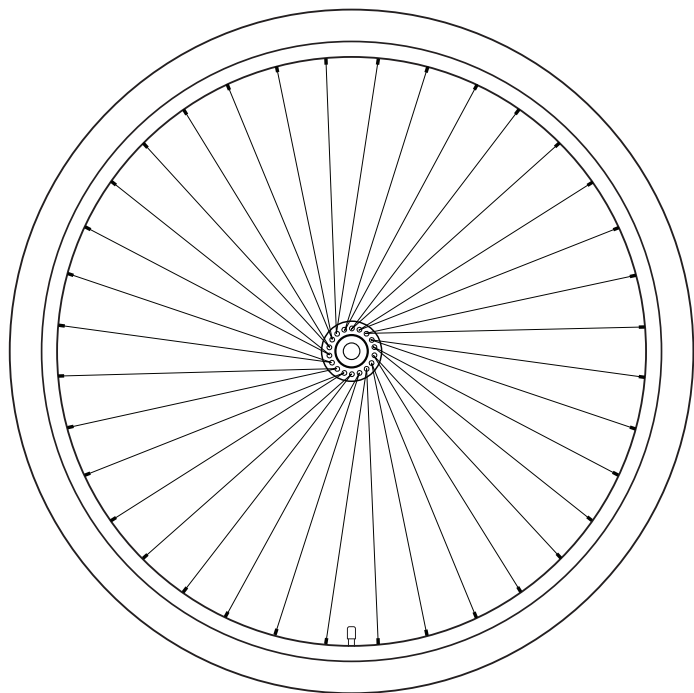


**15mm MULTI-TOOL**



**QUICK RELEASE**

# FRONT WHEEL

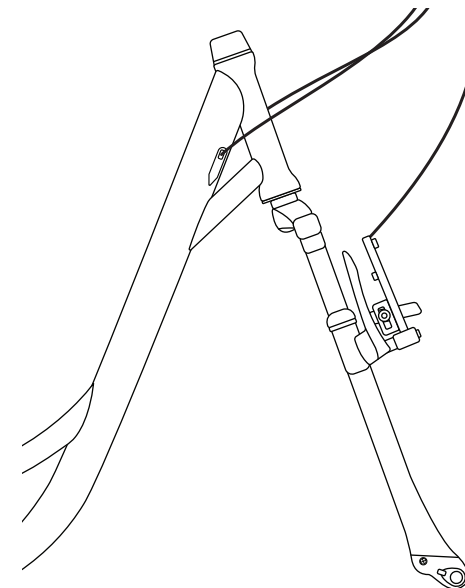
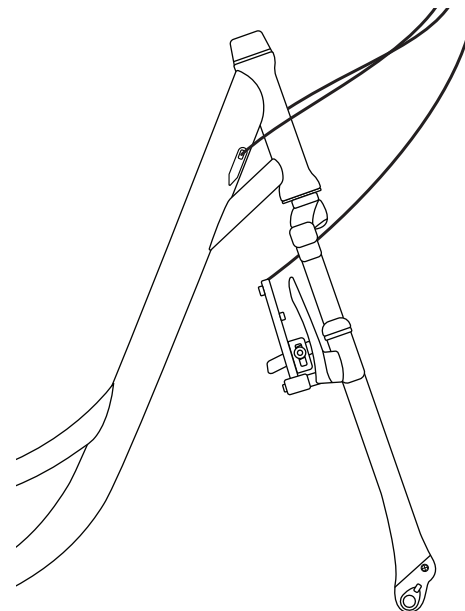


**01**



**NEED HELP?**

Use camera to scan  
for video instructions



Need Help? Please click or call the team@sixthreezero.com or (310) 982-2877

# 02



**NEED HELP?**

Use camera to scan for video instructions

# 03



**NEED HELP?**

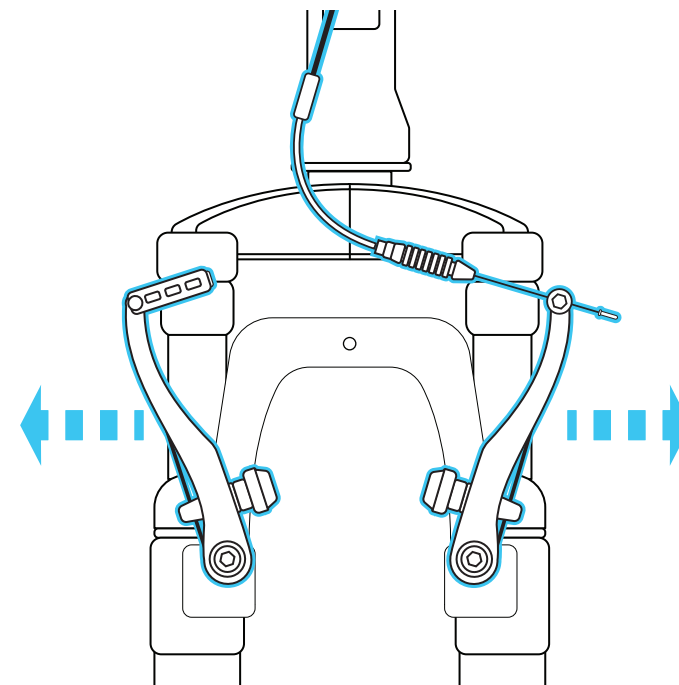
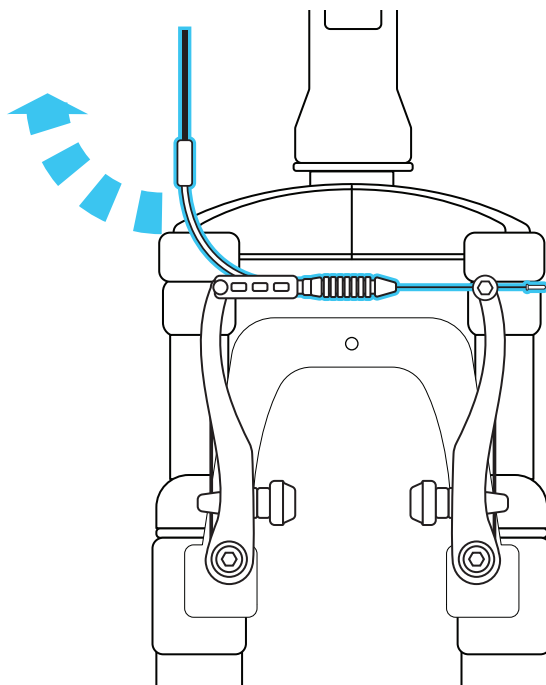
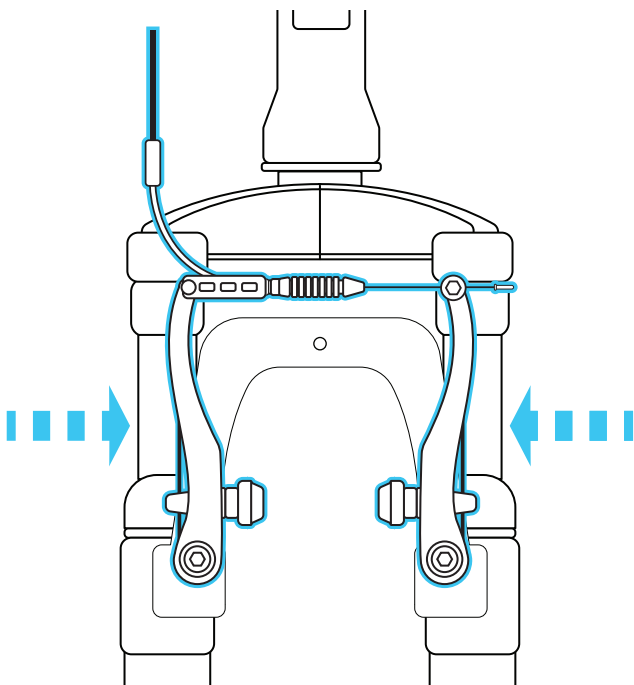
Use camera to scan for video instructions

# 04



**NEED HELP?**

Use camera to scan for video instructions



Need Help? Please click or call the [team@sixthreezero.com](mailto:team@sixthreezero.com) or (310) 982-2877

Need Help? Please click or call the [team@sixthreezero.com](mailto:team@sixthreezero.com) or (310) 982-2877



# 05



## NEED HELP?

Use camera to scan for video instructions

# 06



## NEED HELP?

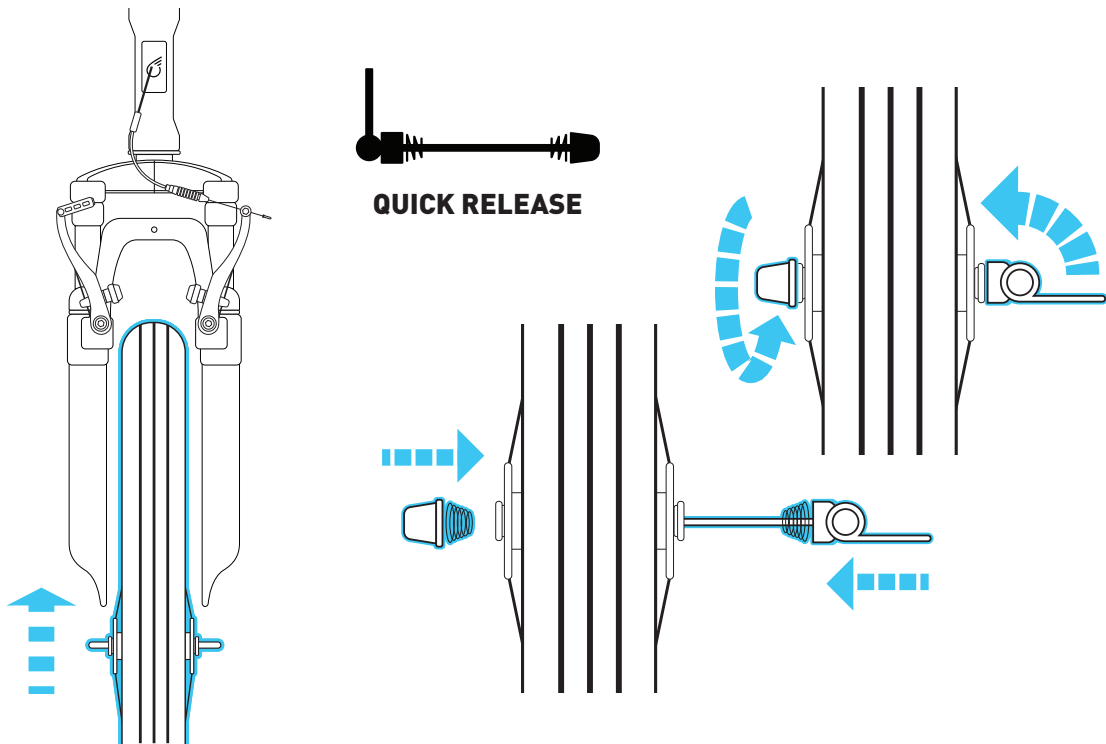
Use camera to scan for video instructions

# 07

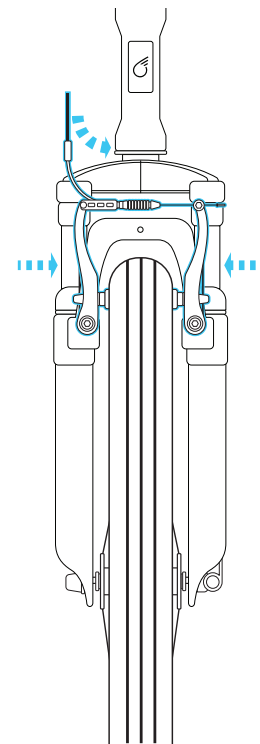


## NEED HELP?

Use camera to scan for video instructions



Need Help? Please click or call the [team@sixthreezero.com](mailto:team@sixthreezero.com) or (310) 982-2877



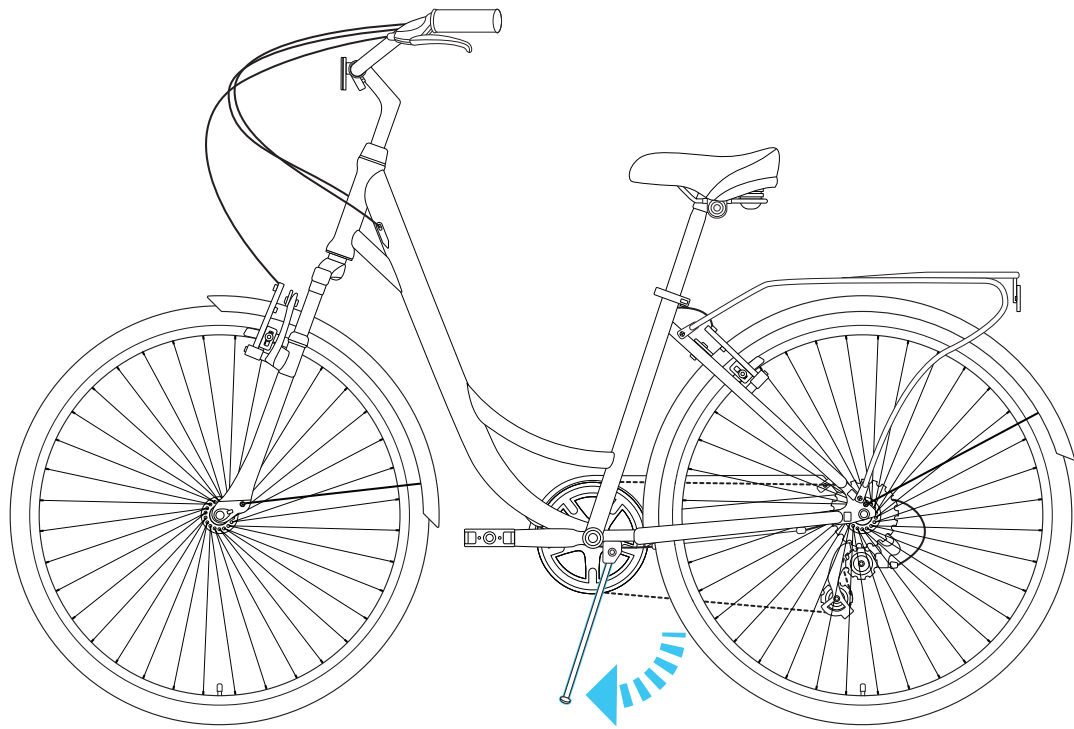
Need Help? Please click or call the [team@sixthreezero.com](mailto:team@sixthreezero.com) or (310) 982-2877

# 08



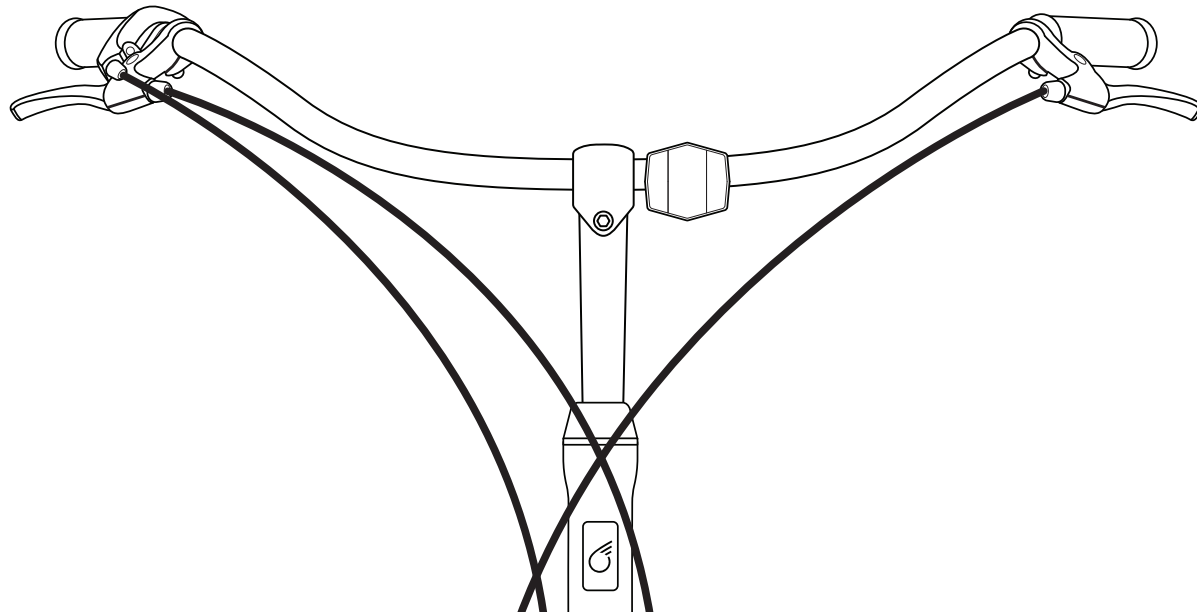
**NEED HELP?**

Use camera to scan  
for video instructions

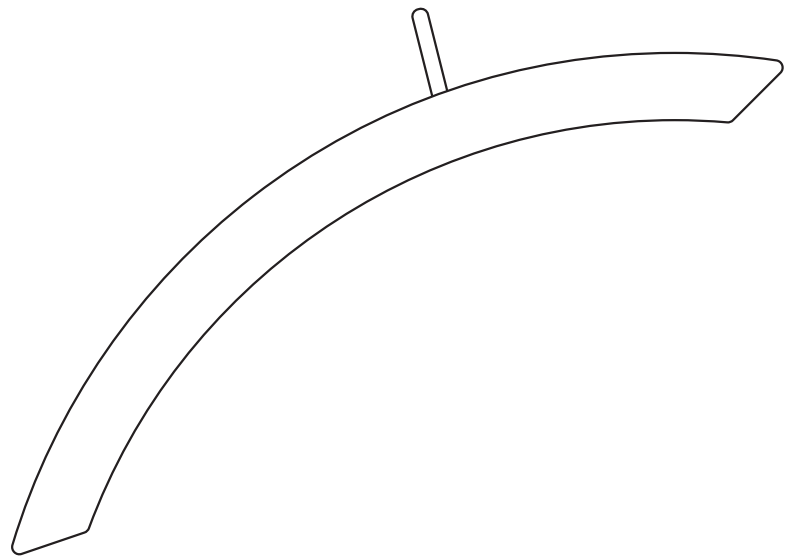


***\*Put kickstand down so bike will stand on its own.***

# HANDLEBARS



# FENDERS



*\*Please skip these steps if your model does not come with fenders*

## 09



### NEED HELP?

Scan for Front Fender instructions

## 10



### NEED HELP?

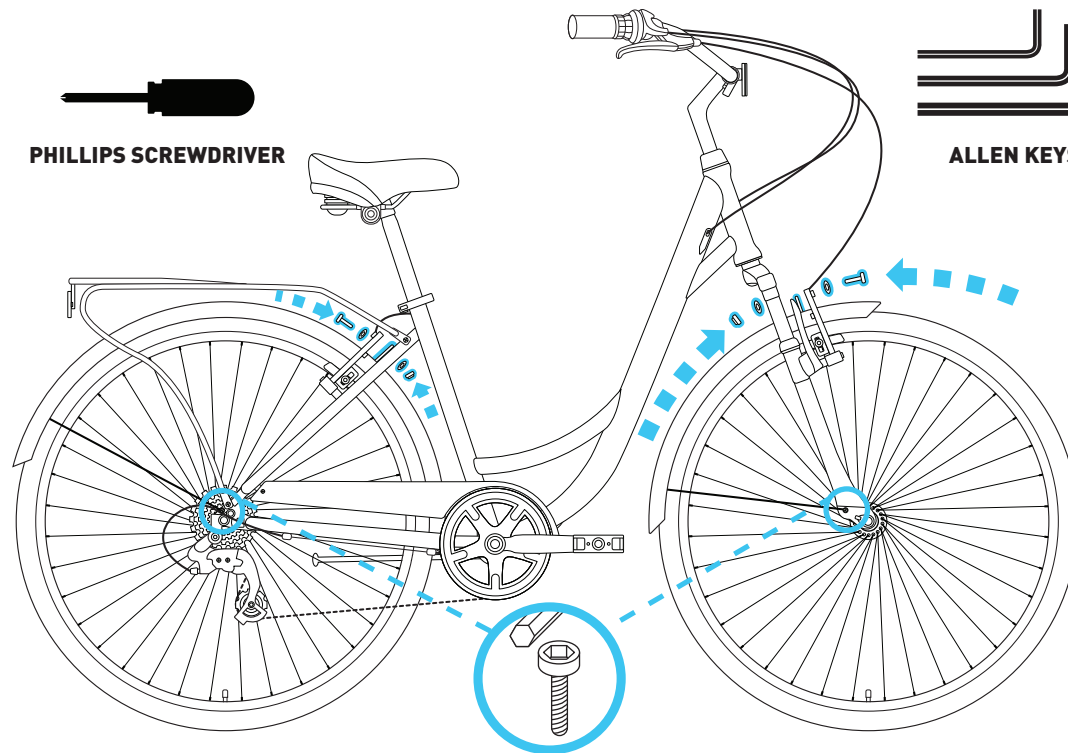
Scan for Rear Fender instructions



PHILLIPS SCREWDRIVER



ALLEN KEYS



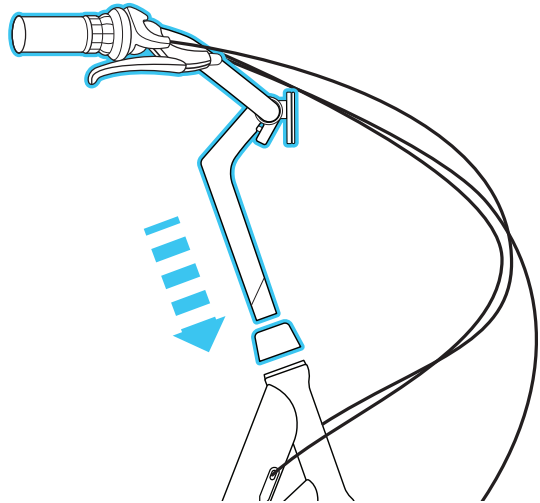
Need Help? Please click or call the team@sixthreezero.com or (310) 982-2877

# 11



**NEED HELP?**

Use camera to scan for video instructions

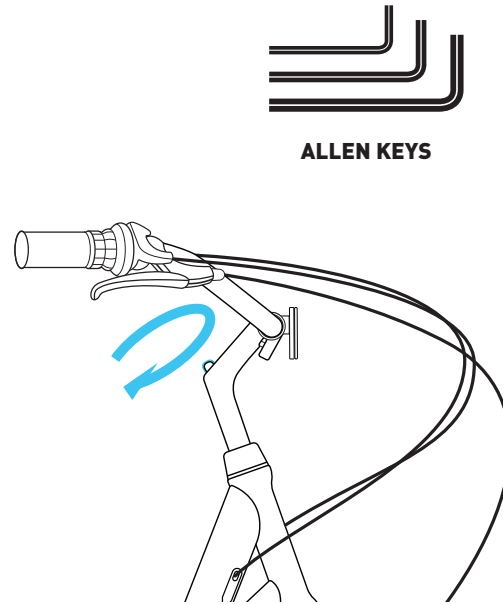


# 12



**NEED HELP?**

Use camera to scan for video instructions



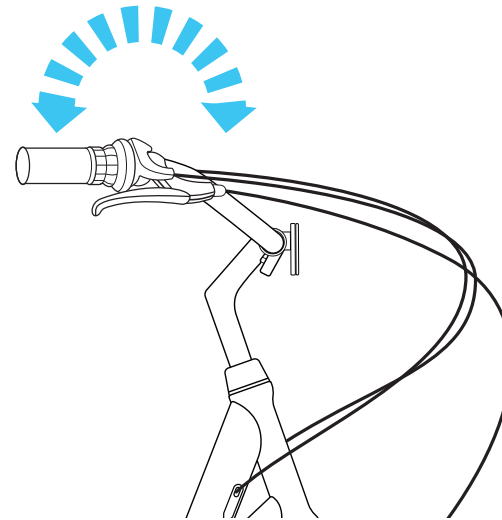
**ALLEN KEYS**

# 13



**NEED HELP?**

Use camera to scan for video instructions



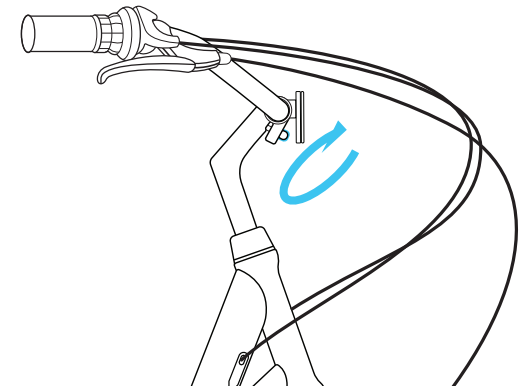
**ALLEN KEYS**

# 14

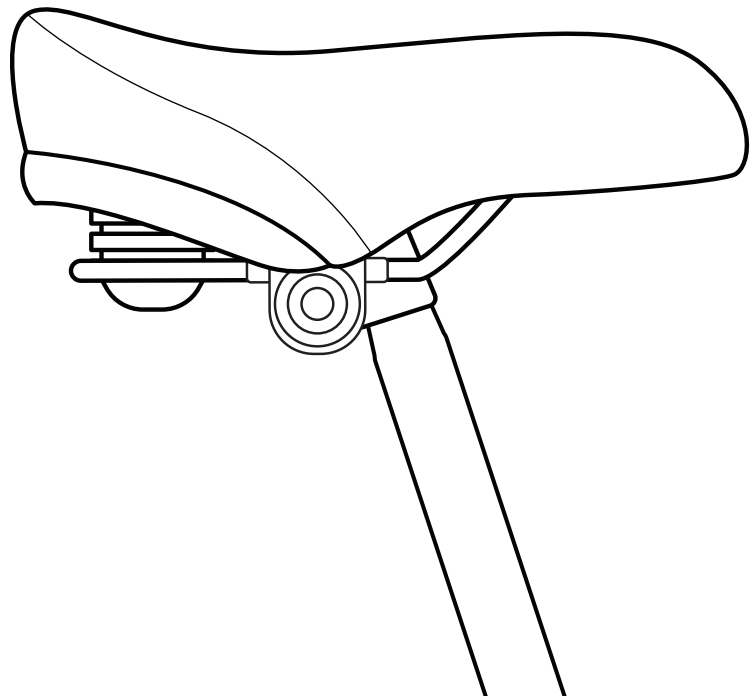


**NEED HELP?**

Use camera to scan for video instructions



**SEAT**



# 15



## NEED HELP?

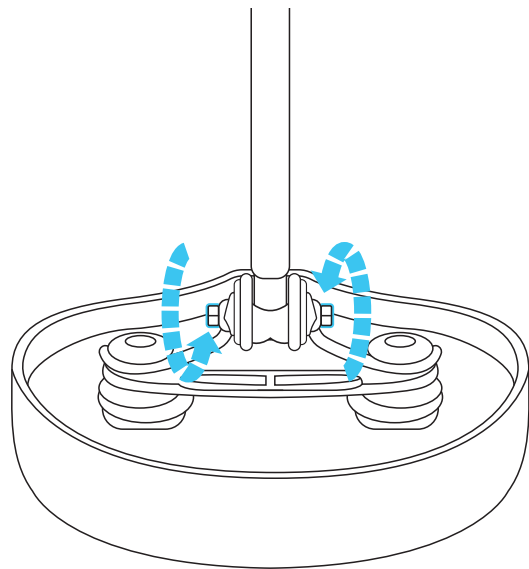
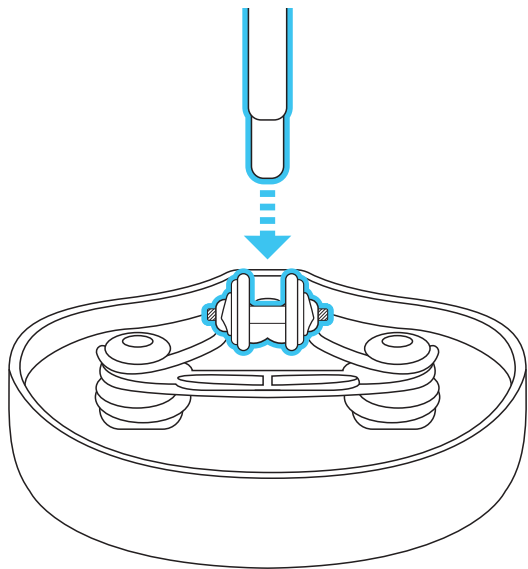
Use camera to scan for video instructions

# 16



## NEED HELP?

Use camera to scan for video instructions



**Caution:** Do not drop seat post into bicycle frame. Install seat onto seat post **before** installing into bicycle frame to prevent dropping seat post down into the frame. Seat nuts must be tightened **EVENLY** and very **TIGHTLY** or seat may swivel.

**Need Help? Please click or call the team@sixthreezero.com or (310) 982-2877**

# 17



## NEED HELP?

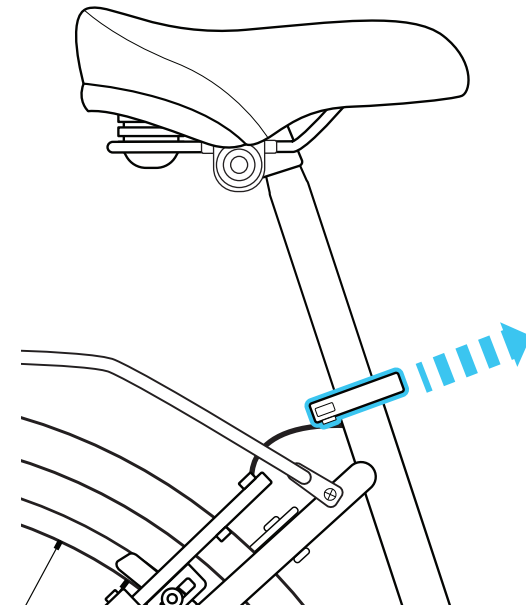
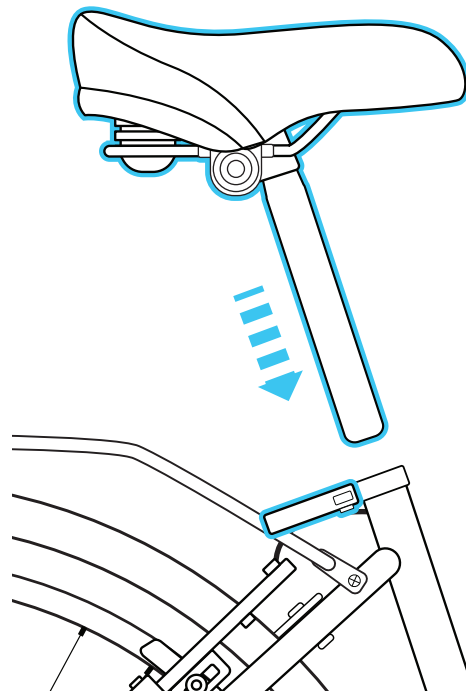
Use camera to scan for video instructions

# 18



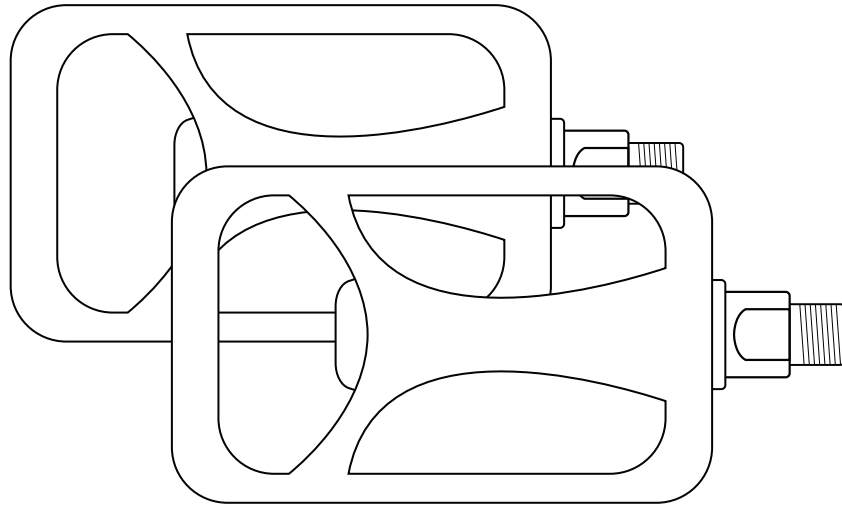
## NEED HELP?

Use camera to scan for video instructions



**Need Help? Please click or call the team@sixthreezero.com or (310) 982-2877**

# PEDALS



**19**



**NEED HELP?**

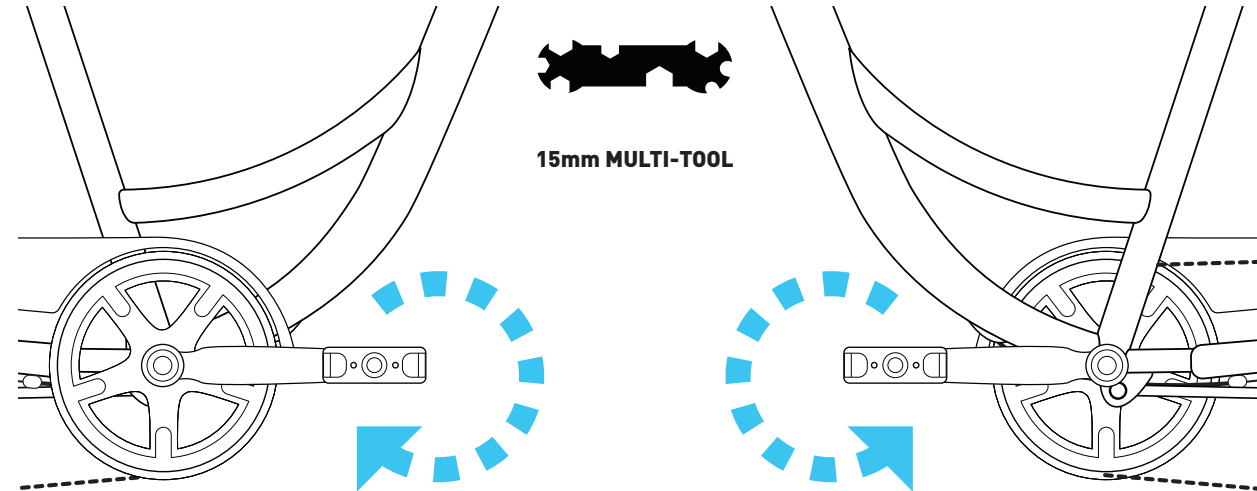
Use camera to scan  
for video instructions

**20**



**NEED HELP?**

Use camera to scan  
for video instructions



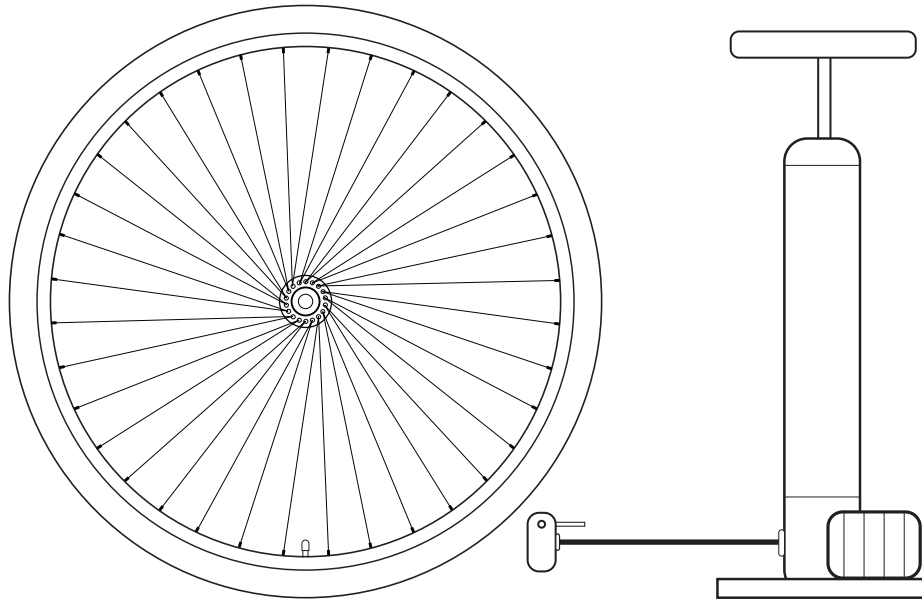
15mm MULTI-TOOL

**CAUTION:**

**Left Pedal has left hand threads.  
Turn counterclockwise to install.**

# TIRES

Tire pressure PSI is written on tire sidewall



Need Help? Please click or call the [team@sixthreezero.com](mailto:team@sixthreezero.com) or (310) 982-2877

# TEST RIDE

Make sure your ride is smooth by testing it. If you experience any issues your bicycle may need brake or gear adjustments. Scan codes below for a quick tutorial.

Need Help? Please click or call the [team@sixthreezero.com](mailto:team@sixthreezero.com) or (310) 982-2877

# TUNING



**BRAKE TUNING**  
Use camera to scan for video instructions



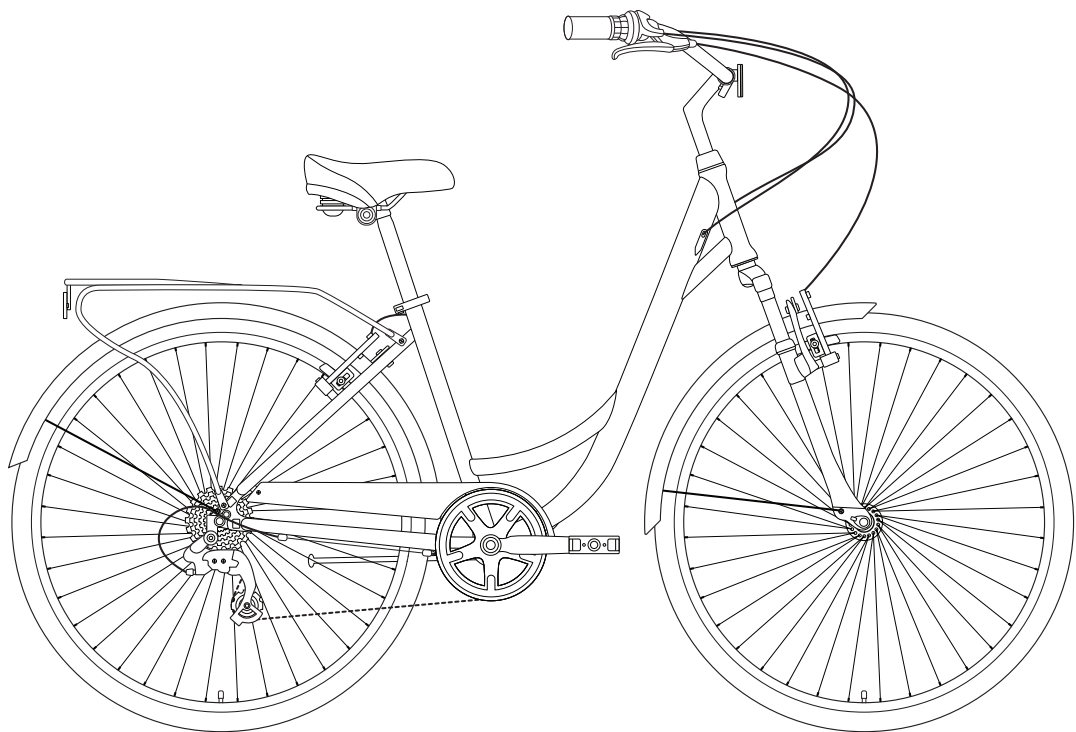
**GEAR TUNING**  
Use camera to scan for video instructions



**SEAT CLAMP RE-ASSEMBLY**  
Use camera to scan for video instructions



# CONGRATULATIONS!



## SURVEY

Tell us about your assembly experience! If you are having any trouble at all or not, and would like to leave feedback to help us improve our assembly experience, please go to our survey at:

[goo.gl/6enZji](https://goo.gl/6enZji)

# RECORD YOUR SIXTHREEZERO'S INFO

BICYCLE SERIAL # _____	DATE OF PURCHASE _____
BATTERY SERIAL # _____	DEALER'S NAME _____
MODEL _____	DEALER'S PHONE _____
COLOR _____	DEALER'S EMAIL _____

PLEASE REGISTER YOUR SIXTHREEZERO AT [SIXTHREEZERO.COM/REGISTER](https://sixthreezero.com/register)

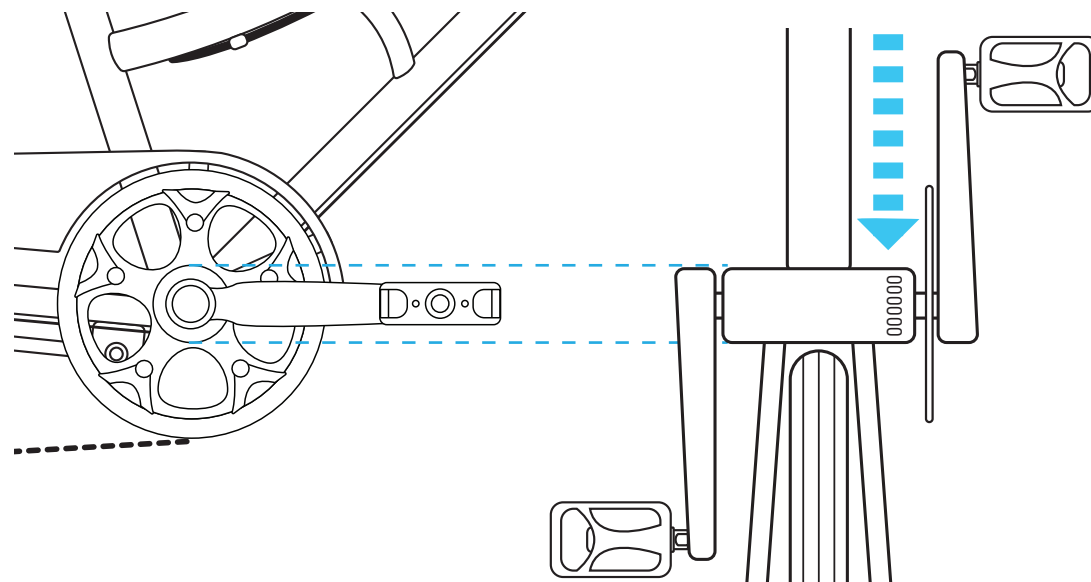
You must register your sixthreezero within 30 days of purchase for warranty to be valid

WE STRIVE FOR PERFECT, ALTHOUGH IT'S NOT ALWAYS POSSIBLE. WE NEVER LEAVE A RIDER BEHIND.

## REGISTER



Most Sixthreezero bicycles have their serial number stamped into the bottom of the frame below the bottom bracket. You'll need to lift it up to see underneath, or use a smart phone to take a photo (with the flash) of the underside. The serial number is located on the frame behind the chainring. Contact us if you're having trouble finding the serial number.



HAVING TROUBLE? CALL 310.982.2877 OR EMAIL [THETEAM@SIXTHREEZERO.COM](mailto:theteam@sixthreezero.com).



SIX**THREE**ZERO  
LOS ANGELES, CA

THETEAM@SIXTHREEZERO.COM  
310.982.2877