

 *sixthreezero*

ASSEMBLY GUIDE



Body Ease Consistent



OUR COMMITMENT

We want you to love your bike as much as we do.
If you run into any issues, no matter how small,
let us know and we'll take care of you.

SIXTHREEZERO
THETEAM@SIXTHREEZERO.COM
310.982.2877



REGISTER YOUR WHEELS

Take advantage of our lifetime warranty.
If something breaks, we'll replace it, no questions asked.

VISIT THE LINK BELOW

<http://www.sixthreezero.com/pages/register-your-bike>

TOOLS YOU'LL NEED

Creating something wonderful with your own hands is basically the best feeling ever. We want you to have fun building your new bike, so there's only a few things you need to get started.

Need Help? Please click or call the team@sixthreezero.com or (310) 982-2877



SCISSORS
(TO CUT ZIP TIES)



15MM MULTI-TOOL



ALLEN KEYS



**PHILLIPS
SCREWDRIVER**



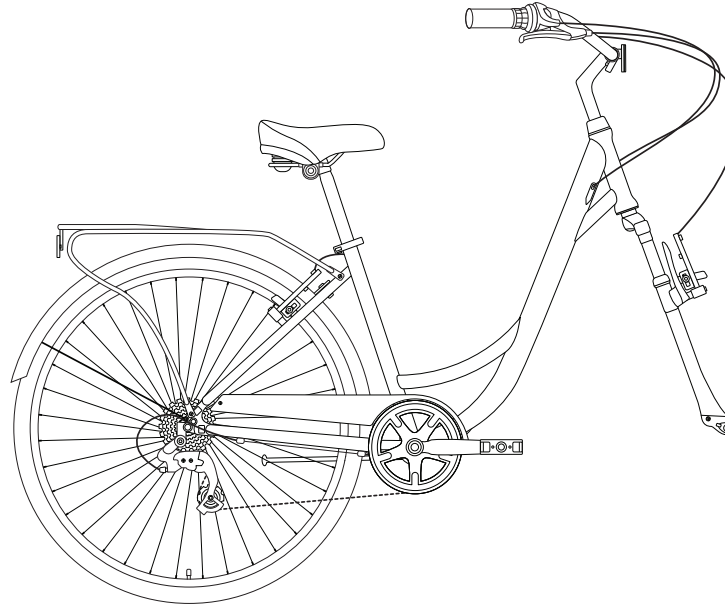
**BICYCLE
TIRE PUMP**

WHAT'S IN EACH BOX?

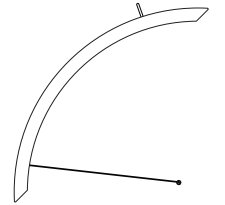
Layout all the parts in front of you.
Make sure to **remove all packaging** before you get started.

Need Help? Please click or call the team@sixthreezero.com or (310) 982-2877

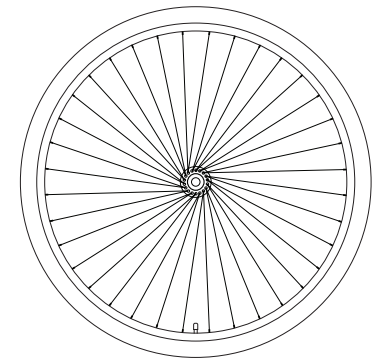
BICYCLE BOX



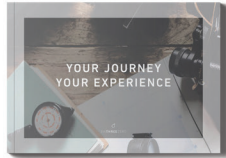
HANDLE BAR / FRAME / REAR
WHEEL AND REAR RACK SET-UP



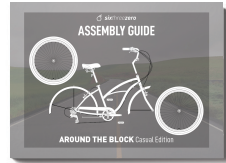
FRONT FENDER + STRUT



FRONT WHEEL
WITH BOLT ON



**EXPERIENCE
BOOKLET**



**ASSEMBLY
GUIDE**



PEDALS

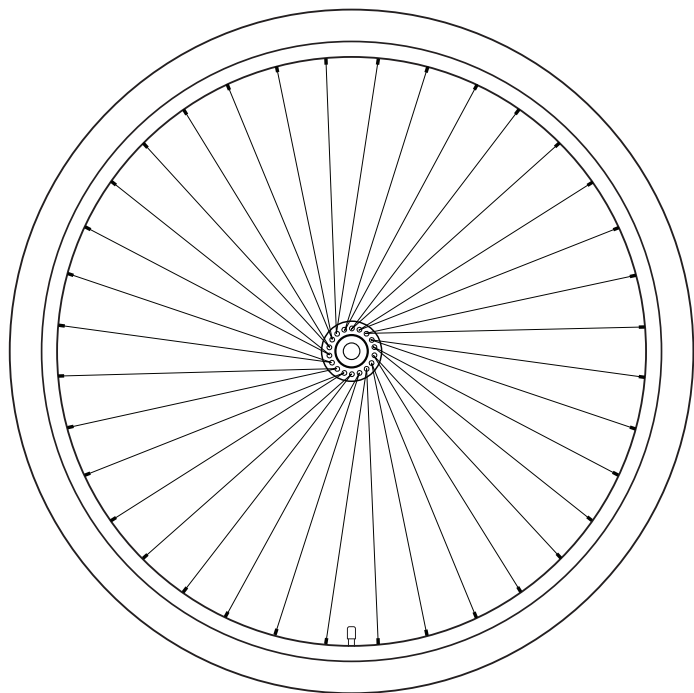


MULTI-TOOL



**4, 5, AND 6MM
ALLEN KEYS**

FRONT WHEEL

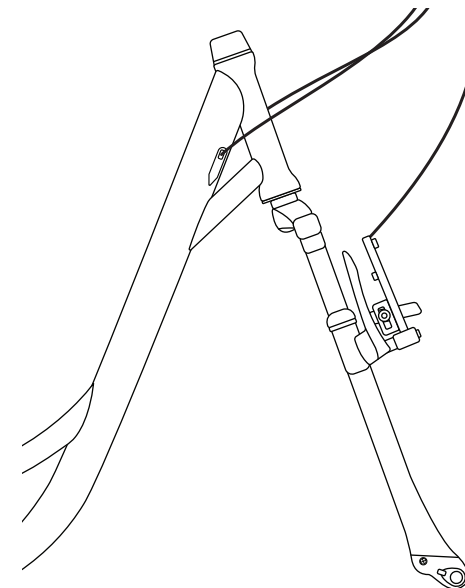
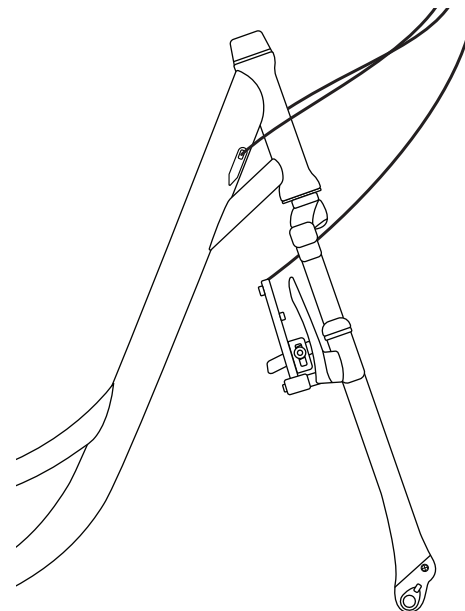


01



NEED HELP?

Use camera to scan
for video instructions



Need Help? Please click or call the team@sixthreezero.com or (310) 982-2877

02



NEED HELP?

Use camera to scan for video instructions

03



NEED HELP?

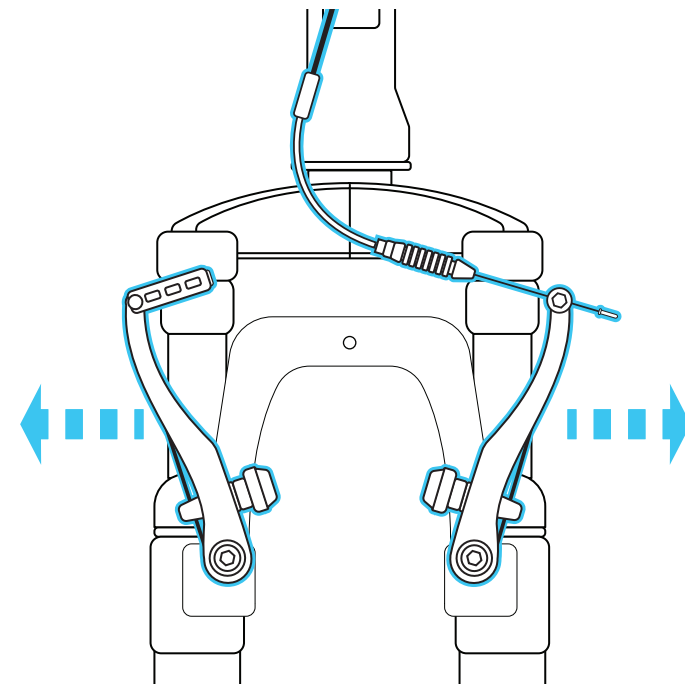
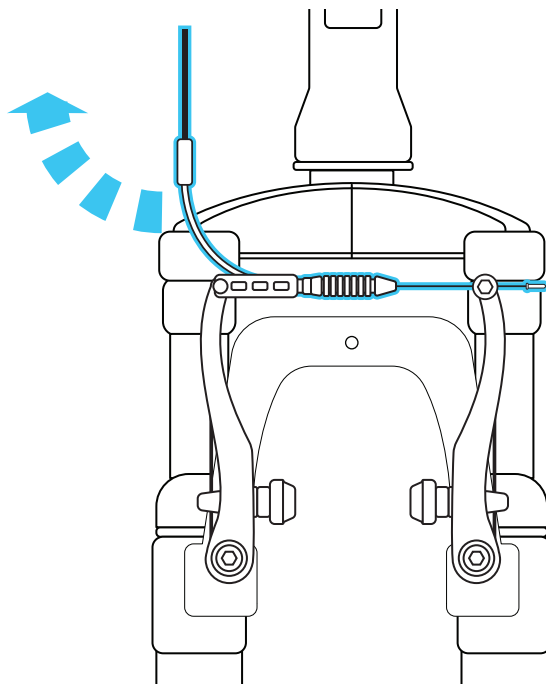
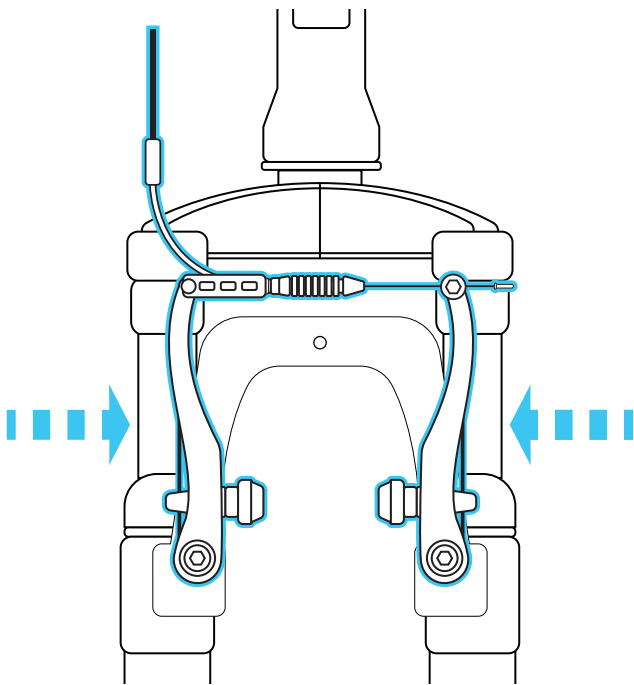
Use camera to scan for video instructions

04



NEED HELP?

Use camera to scan for video instructions



Need Help? Please click or call the team@sixthreezero.com or (310) 982-2877

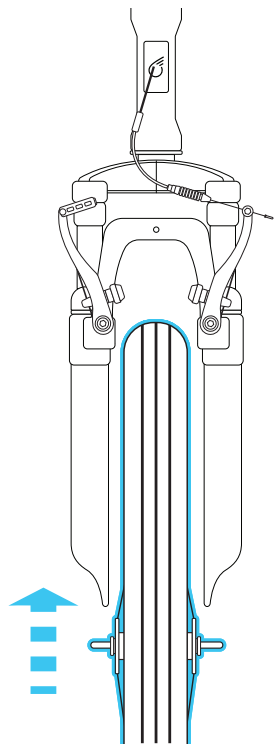
Need Help? Please click or call the team@sixthreezero.com or (310) 982-2877

05



NEED HELP?

Use camera to scan for video instructions



06

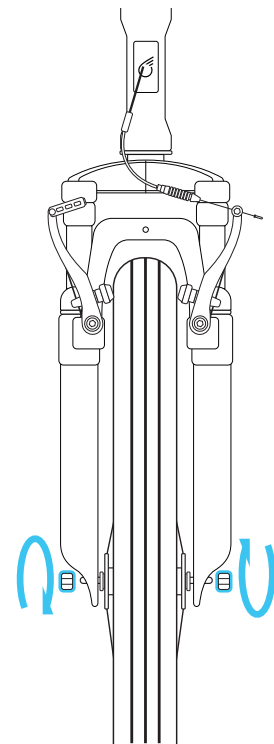


NEED HELP?

Use camera to scan for video instructions



15MM MULTI-TOOL



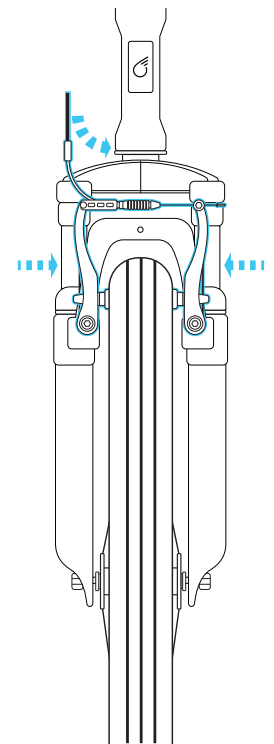
Need Help? Please click or call the team@sixthreezero.com or (310) 982-2877

07



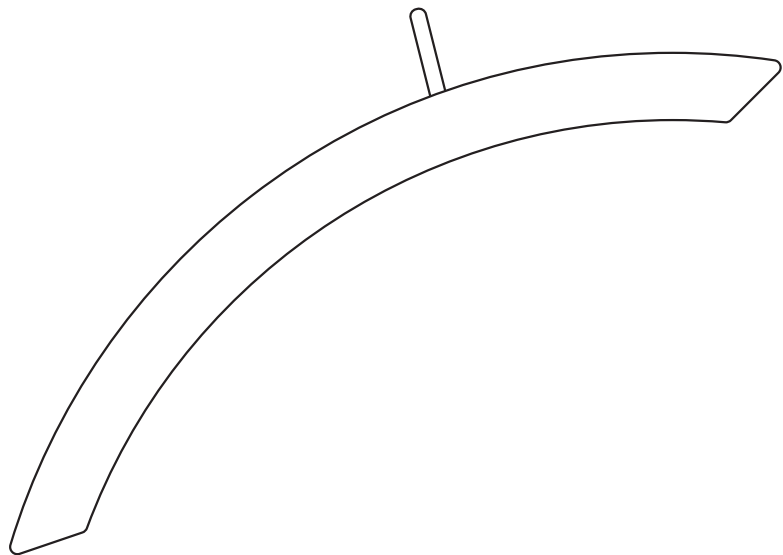
NEED HELP?

Use camera to scan for video instructions



Need Help? Please click or call the team@sixthreezero.com or (310) 982-2877

FENDERS



08



NEED HELP?

Scan for Front Fender instructions

09



NEED HELP?

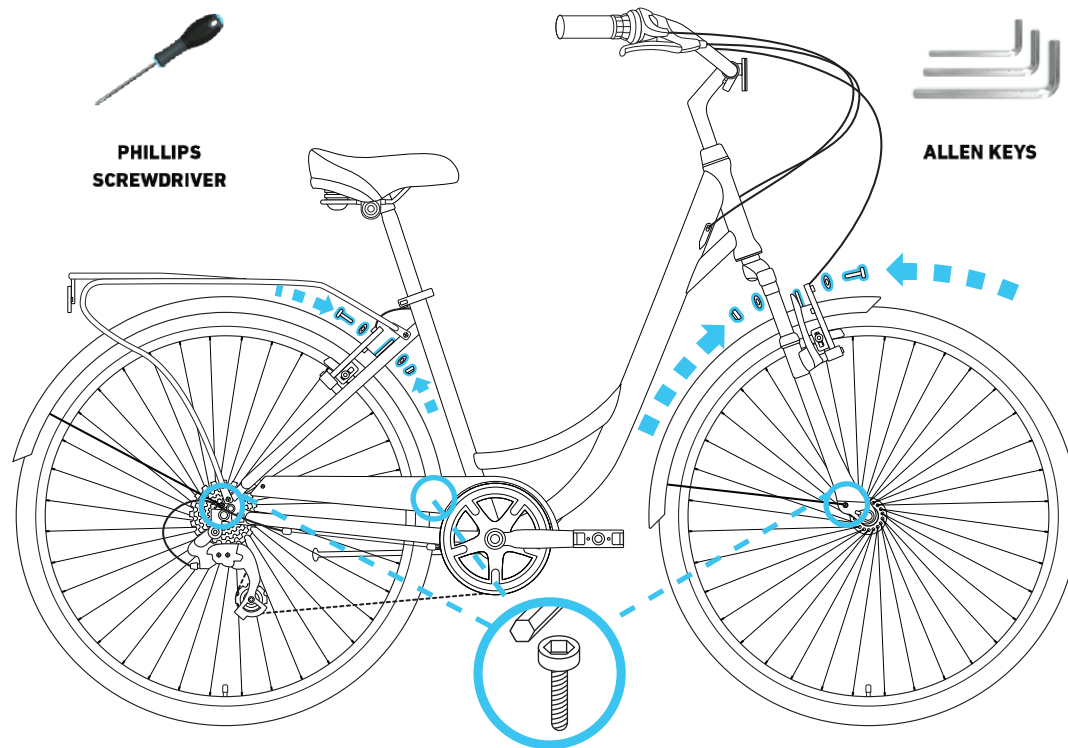
Scan for Rear Fender instructions



**PHILLIPS
SCREWDRIVER**



ALLEN KEYS



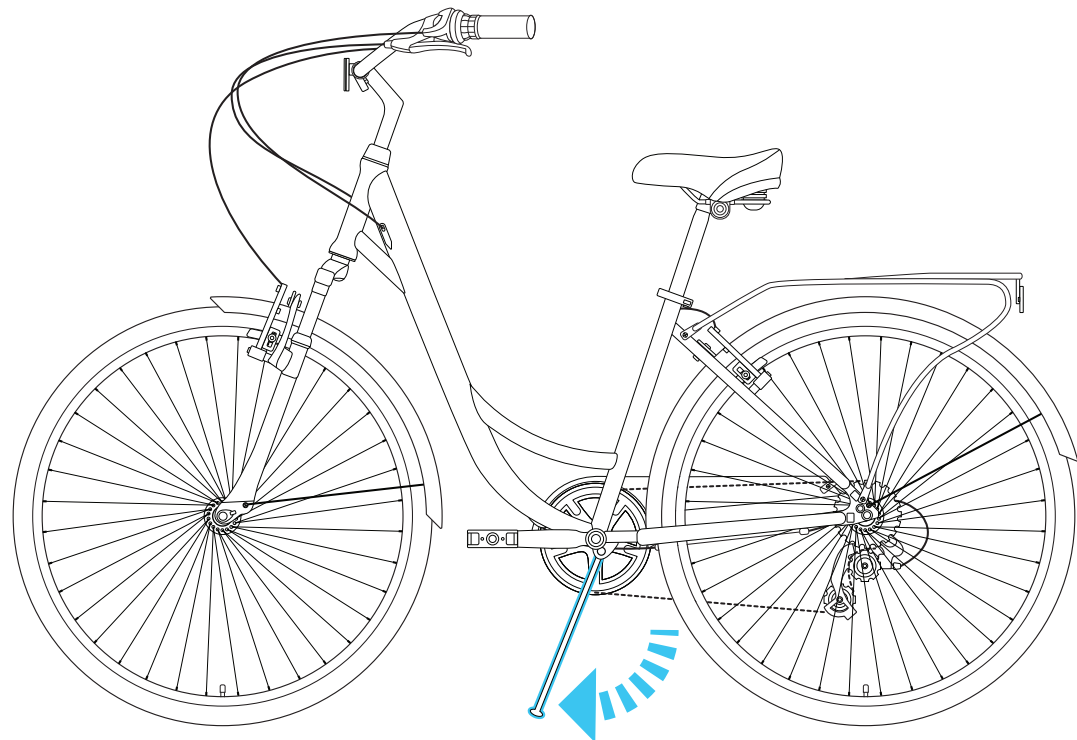
Need Help? Please click or call the team@sixthreezero.com or (310) 982-2877

10



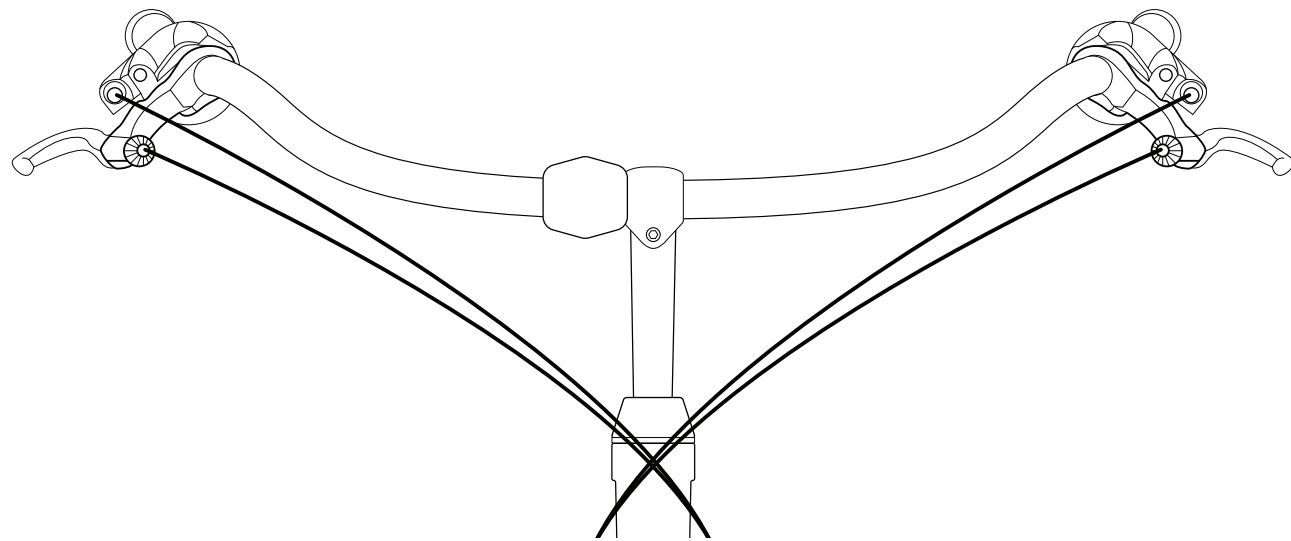
NEED HELP?

Use camera to scan
for video instructions



**Put kickstand down so bike will stand on its own.*

HANDLEBARS

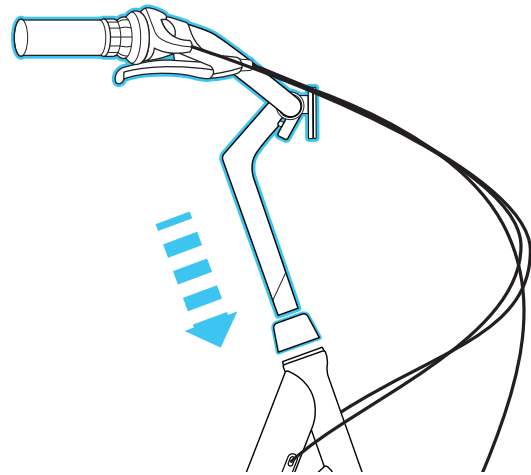


11



NEED HELP?

Use camera to scan for video instructions

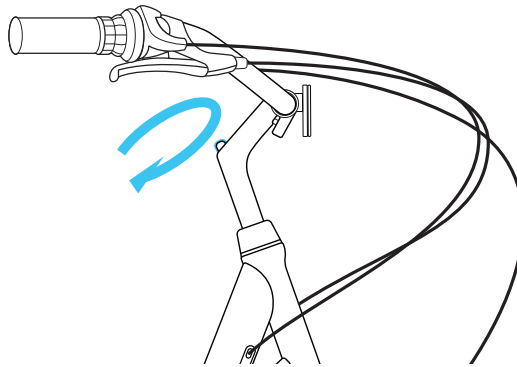


12



NEED HELP?

Use camera to scan for video instructions

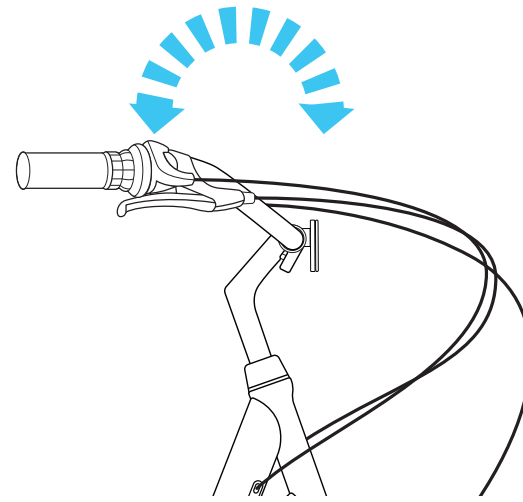


13



NEED HELP?

Use camera to scan for video instructions

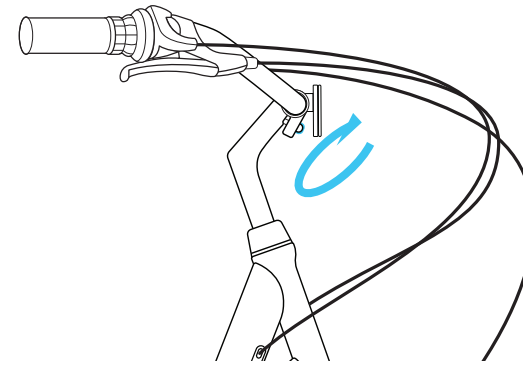


14

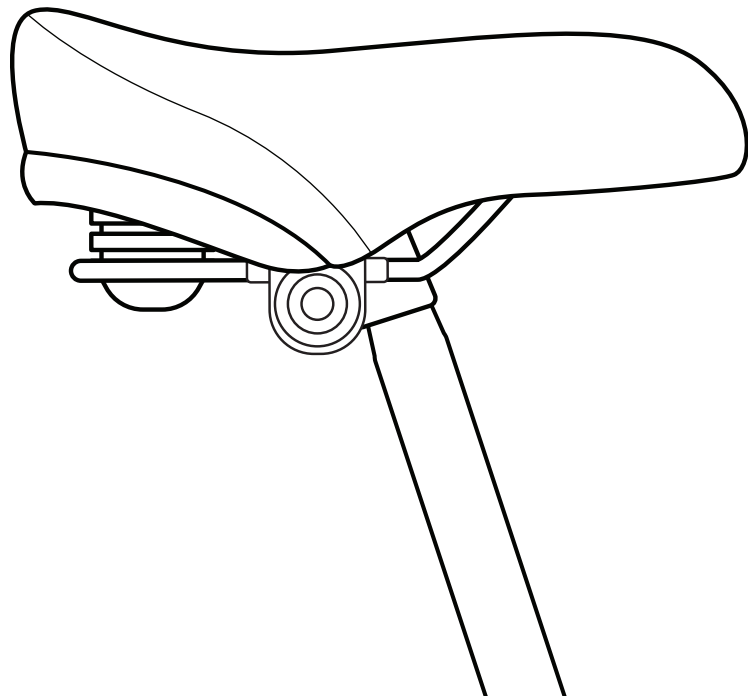


NEED HELP?

Use camera to scan for video instructions



SEAT



15



NEED HELP?

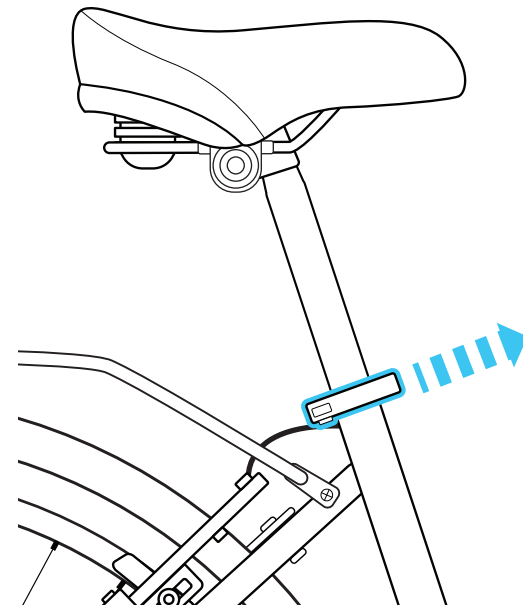
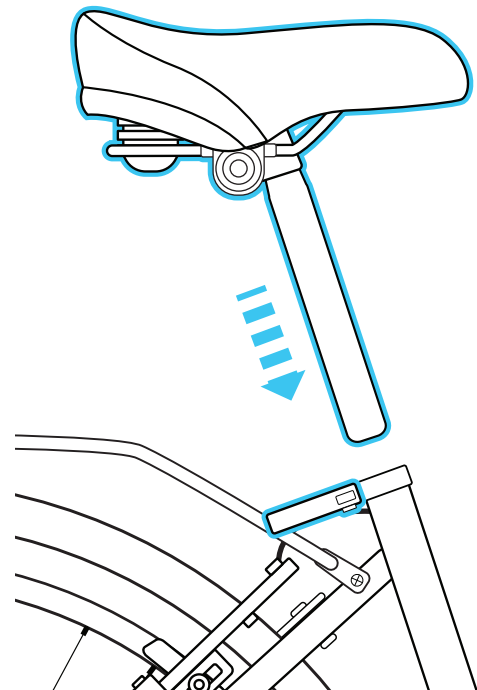
Use camera to scan for video instructions

16

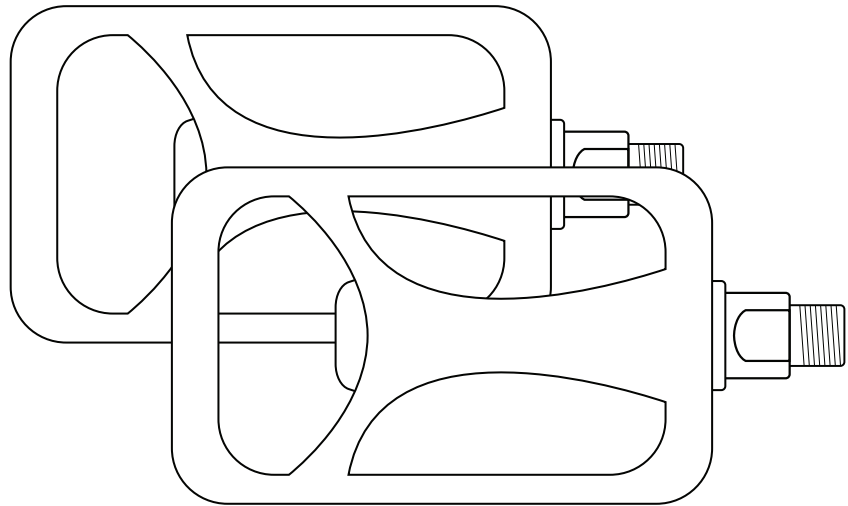


NEED HELP?

Use camera to scan for video instructions



PEDALS



17



NEED HELP?

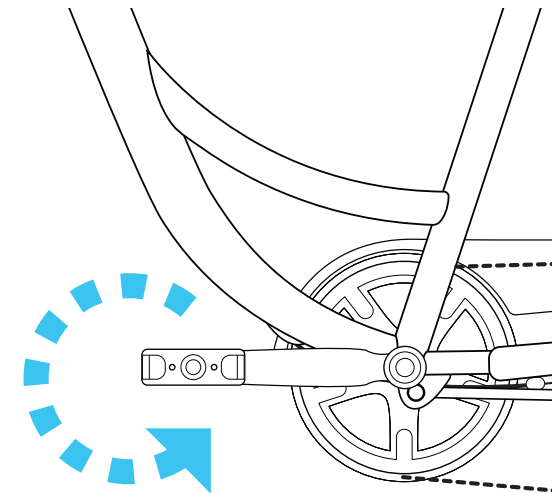
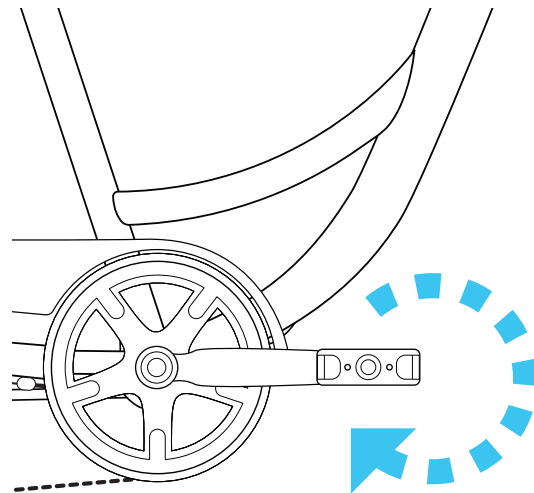
Use camera to scan
for video instructions

18



NEED HELP?

Use camera to scan
for video instructions



CAUTION:

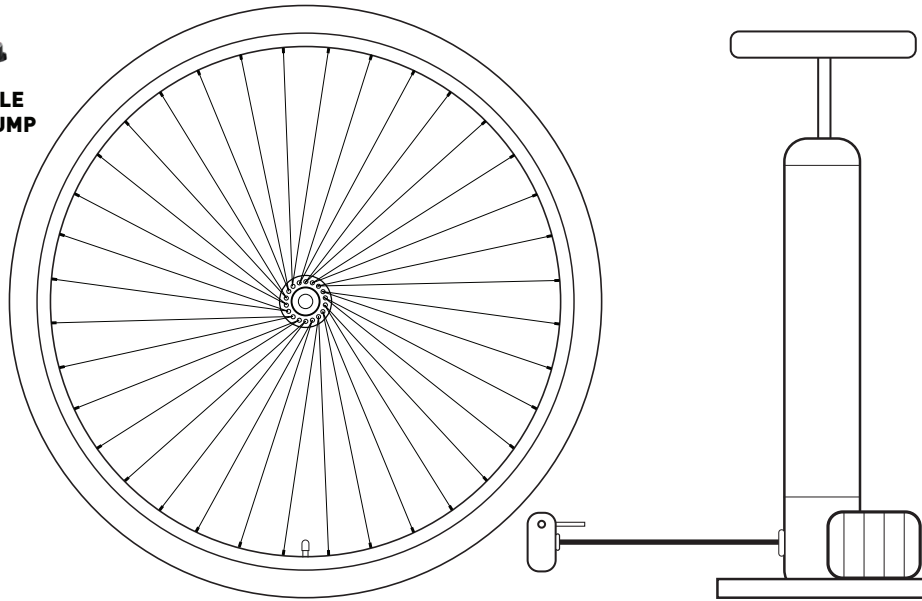
**Left Pedal has left hand threads.
Turn counterclockwise to install.**

TIRES



**BICYCLE
TIRE PUMP**

Pump tires up to 50 psi



Need Help? Please click or call the team@sixthreezero.com or (310) 982-2877

TEST RIDE

Make sure your ride is smooth by testing it. If you experience any issues your bicycle may need brake or gear adjustments. Scan codes below for a quick tutorial.

TUNING



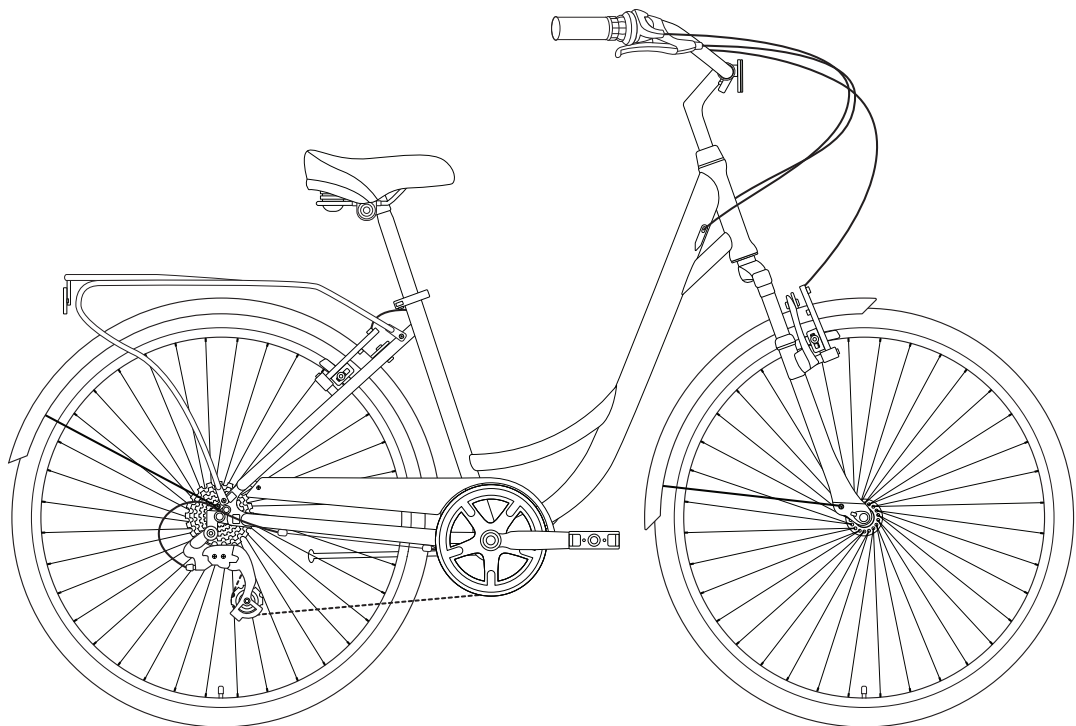
BRAKE TUNING
Use camera to scan
for video instructions



GEAR TUNING
Use camera to scan
for video instructions

Need Help? Please click or call the team@sixthreezero.com or (310) 982-2877

CONGRATULATIONS!



SURVEY

Tell us about your assembly experience! If you are having any trouble at all or not, and would like to leave feedback to help us improve our assembly experience, please go to our survey at:

goo.gl/6enZji

RECORD YOUR SIXTHREEZERO'S INFO

BICYCLE SERIAL # _____	DATE OF PURCHASE _____
BATTERY SERIAL # _____	DEALER'S NAME _____
MODEL _____	DEALER'S PHONE _____
COLOR _____	DEALER'S EMAIL _____

PLEASE REGISTER YOUR SIXTHREEZERO AT [SIXTHREEZERO.COM/REGISTER](https://sixthreezero.com/register)

You must register your sixthreezero within 30 days of purchase for warranty to be valid

WE STRIVE FOR PERFECT, ALTHOUGH IT'S NOT ALWAYS POSSIBLE. WE NEVER LEAVE A RIDER BEHIND.

REGISTER



Most Sixthreezero bicycles have their serial number stamped into the bottom of the frame below the bottom bracket. You'll need to lift it up to see underneath, or use a smart phone to take a photo (with the flash) of the underside. The serial number is located on the frame behind the chainring. Contact us if you're having trouble finding the serial number.



HAVING TROUBLE? CALL 310.982.2877 OR EMAIL [THETEAM@SIXTHREEZERO.COM](mailto:theteam@sixthreezero.com).



SIX**THREE**ZERO
LOS ANGELES, CA

THETEAM@SIXTHREEZERO.COM
310.982.2877