

STANLEY
Engineered Fastening

Avdel UK Limited
Stanley House, Works Road
Letchworth Garden City, Hertfordshire SG6 1JY
Tel. +44 1582 900-000 · Fax -001
enquiries2@sbdinc.com

STANLEY
Engineered Fastening



Find your closest STANLEY Engineered Fastening location on
www.stanleyengineeredfastening.com/contact
For an authorized distributor nearby please check
www.stanleyengineeredfastening.com/econtact/distributors

Manual Number	Issue	C/N
07900-09304	E	17/010



Instruction Manual

- Ⓔ Hydro-Pneumatic Blind Rivet Nut Tool
- Ⓔ Remachadora hidroneumática de tuercas remachables
- Ⓔ Outil hydropneumatique pour rivets-écrous aveugles
- Ⓔ Ferramenta Hidropneumática de Rebites Roscados

© 2018 Stanley Black & Decker, Inc.

Holding your world together®, Avdel®, Eurosert®, Nutsert®, Hexsert® and Squaresert® are registered trade marks of Avdel UK Limited. ProSert® is a trade mark of Avdel UK Limited. POP Nut® is a registered trade mark of Newfrey LLC.

The names and logos of other companies mentioned herein may be trademarks of their respective owners. Data shown is subject to change without prior notice as a result of continuous product development and improvement policy. Your local STANLEY Engineered Fastening representative is at your disposal should you need to confirm latest information.

ProSert® XTN20 Blind Rivet Nut Tool – 74202

Hydro-Pneumatic Power Tool

POP X Avdel®

Fig. 1

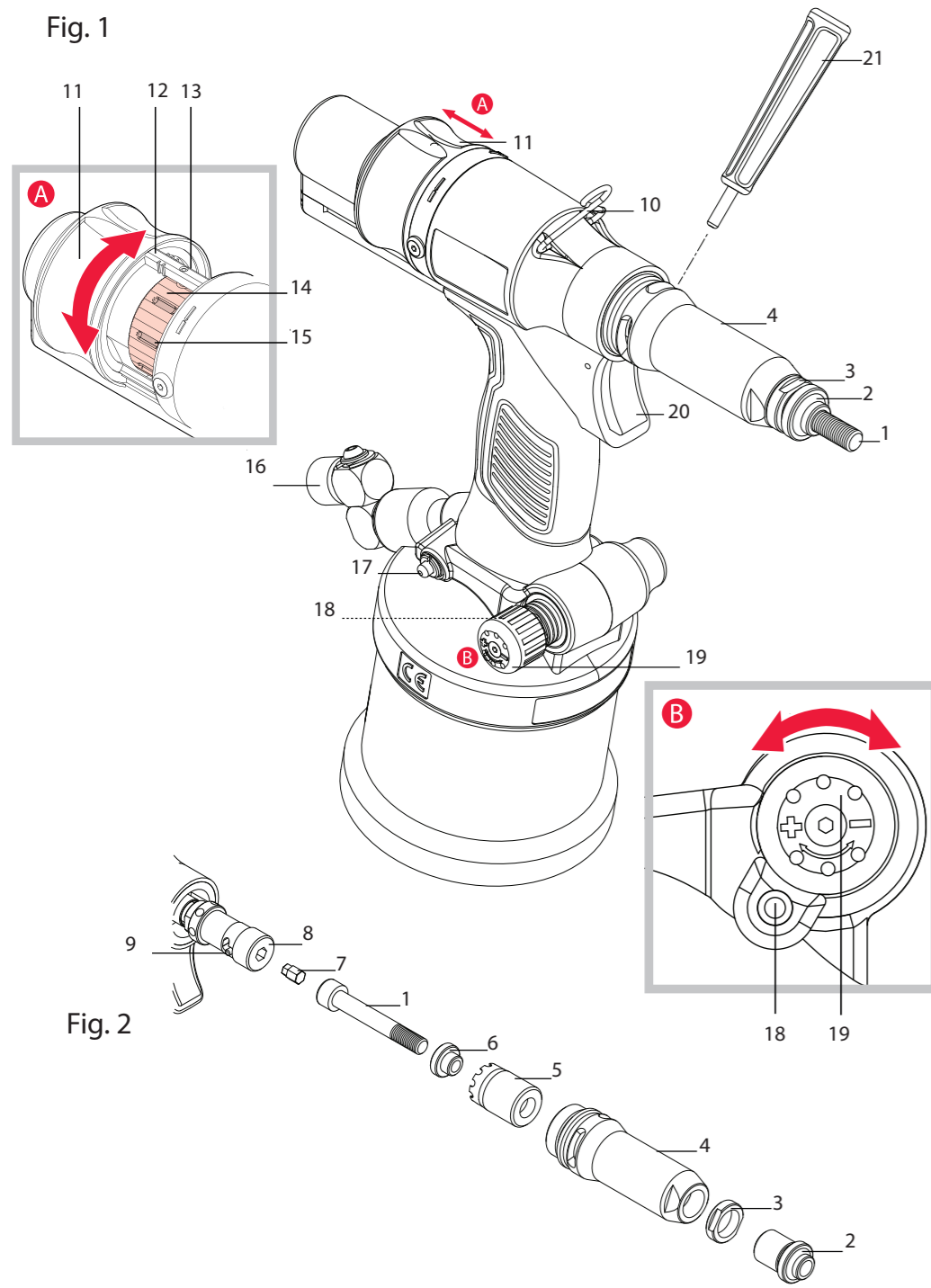


Fig. 3

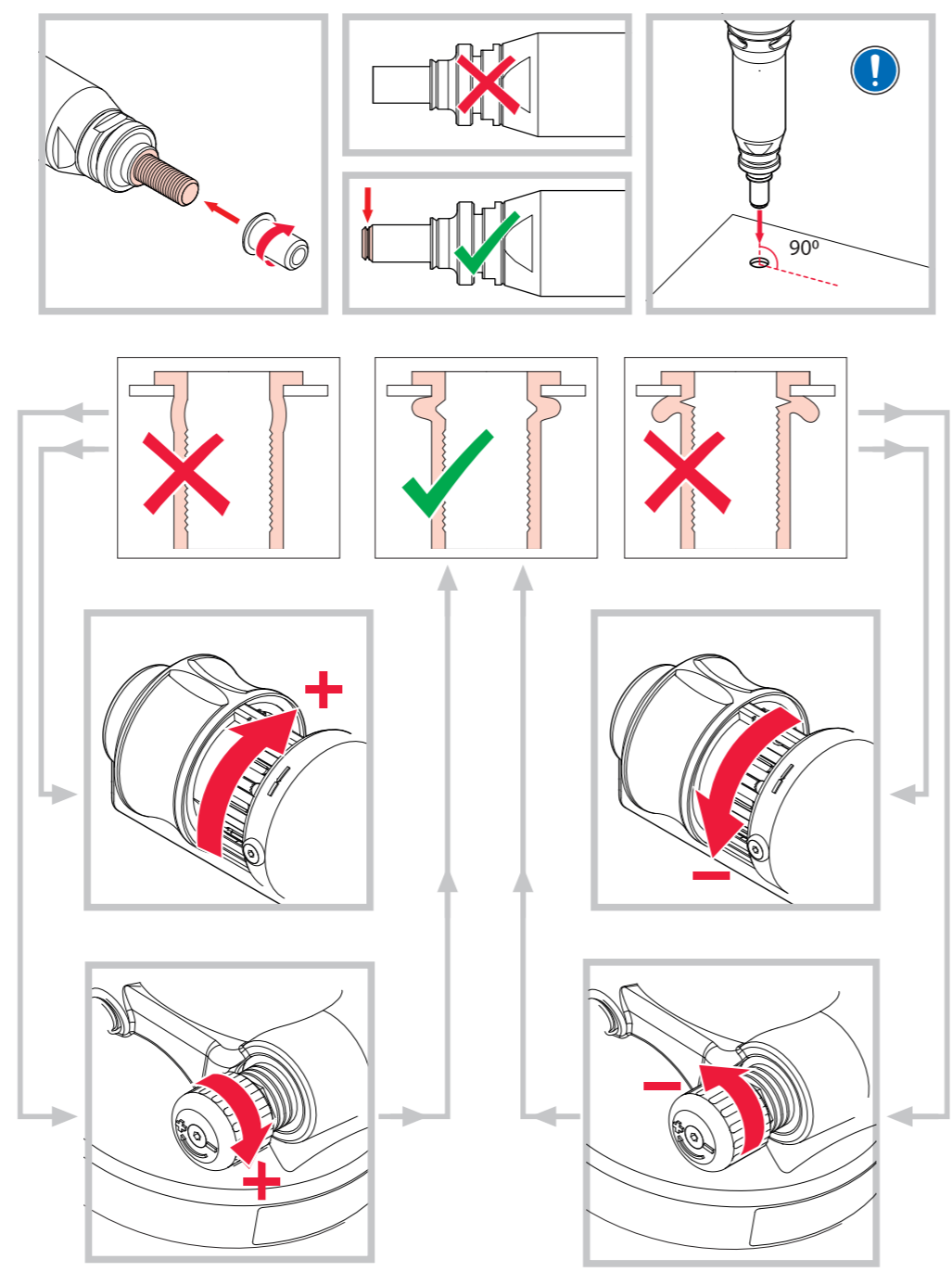


Fig. 2

