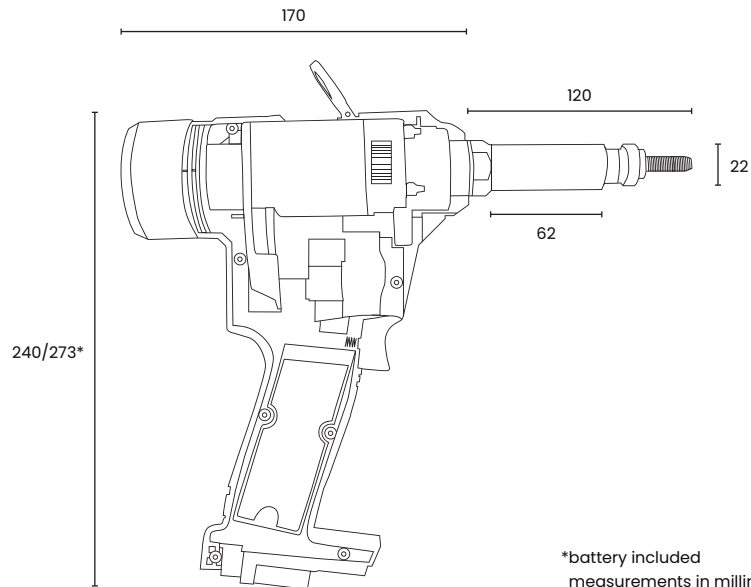


N12XL

Q-TOOL

- M3 – M12 [INCLUDING STAINLESS STEEL]
- SETTING FORCE 25.000 N
- 10.0 MM DIGITAL STROKE CONTROL [0.1 MM STEPS]
- QUICK-MANDREL-RELEASE MECHANISM
- DIGITAL SETTINGS DISPLAY [STROKE, COUNTING & SERVICE]
- EMERGENCY MANDREL-REVERSE-BUTTON
- ERGONOMIC BALANCE AND SOFT GRIP DESIGN
- BRUSHLESS DC MOTOR
- 2X LITHIUM BATTERY 20V/2.0AH WITH CHARGE INDICATION
- SPEED CHARGER 100-240V/50-60HZ
- TOOL WEIGHT 2.1 KG [BATTERY INCLUDED]



N12XL

Standard in the box



Q-TOOL

Set-up



→ **Q-Bolt puller + anvil**

M4 - M8



→ **Q-Split-Nut 12 mm extended mandrel**

M5 - M10

Options



→ **Mandrel + anvil**

M3



→ **145 mm extended mandrel + anvil**

*M8 displayed in photo, check the extended parts list, for all M-sizes and diameters.



→ **Spanner**

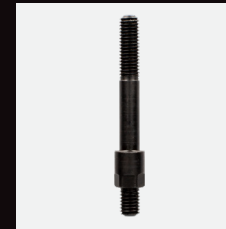


→ **Mandrel + anvil**

M4 - M12

Partnumber	Set-up
N12XL - SET UP - Q-SPLIT NUT	
0504QN305E12	Q-N12XL Mandrel M5 Extended 12 mm (Q-Split-Nut)
0504QN306E12	Q-N12XL Mandrel M6 Extended 12 mm (Q-Split-Nut)
0504QN308E12	Q-N12XL Mandrel M8 Extended 12 mm (Q-Split-Nut)
0504QN310E12	Q-N12XL Mandrel M10 Extended 12 mm (Q-Split-Nut)
N12XL - SET UP - Q-BOLT NUT	
0504QN384	Q-N12XL Q-Bolt puller and complete anvil M4
0504QN385	Q-N12XL Q-Bolt puller and complete anvil M5
0504QN386	Q-N12XL Q-Bolt puller and complete anvil M6
0504QN388	Q-N12XL Q-Bolt puller and complete anvil M8
N12XL - OPTION - EXTENDED REACH	
0504QN394E145	Q-N12XL Mandrel+Anvil cmpl. M4 Set Ext. 145mm - Ø 8.5
0504QN395E145	Q-N12XL Mandrel+Anvil cmpl. M5 Set Ext. 145mm - Ø 8.5
0504QN396E145	Q-N12XL Mandrel+Anvil cmpl. M6 Set Ext. 145mm - Ø 13
0504QN398E145	Q-N12XL Mandrel+Anvil cmpl. M8 Set Ext. 145mm - Ø 15

Set-up



→ Q-Split Nut

Options



→ Q-Bolt Nut



→ Extended reach