

FIREBIRD® PRO GOLD EDITION

**FireBird® Pro Gold Edition –
The new battery powered
blind rivet nut setting tool –
for blind rivet nuts up to
M12 steel!**



No. 167 9672



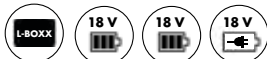
No. 167 9673



No. 167 9674



No. 167 9676



Setting force guide – Example: Steel M5

The values given are only guide values. The values should always be set slightly lower when setting for the first time!

TECHNICAL DATA

Weight: 2.4 kg with battery (2.0 Ah)
Traction power: 20,000 N
Drive: brushless motor
Stroke: 10.0 mm



219

Power per battery charge, threaded mandrels and nosepieces **page 219.**

WORKING RANGE

Blind rivet nuts up to M12 alu and steel and M10 stainless steel.

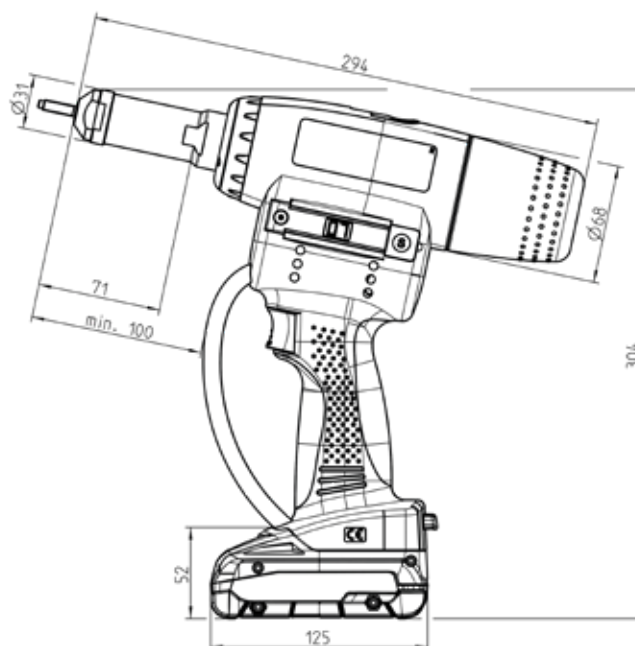
SCOPE OF DELIVERY

Threaded mandrel and nosepiece M6 (in working position),
Threaded mandrel and nosepiece M8 and M10 (in magazine)
1x Hexagonal wrench
1x Double open ended wrench SW 24/27
Card Quick adjustment
Card Setting force pre-adjustment
Operating manual



222

Spare parts, special accessories for FireBird® Pro/FireBird® Pro Gold Edition **page 222.**



Dimensions in mm

