

ANEMOSTAT SECURITY VISION FRAMES

SG-12-LSC HIGH SECURITY METAL VISION FRAME WITH LOCKING SECURITY COVER

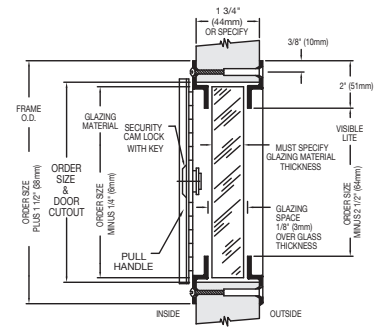
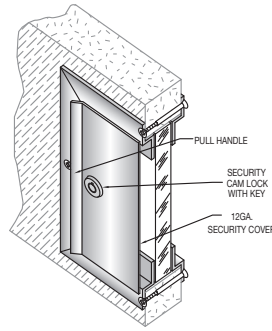
Heavy duty metal vision frame providing high security with 12GA hinged panel to one side. Hinged panel spot welded to one side of frame with continuous hinge and closes with a key operated cam lock. If more than one unit is ordered, locks are supplied to pass. Installed by drilling 6.4mm holes through the door, around the perimeter of the frame. Frame has countersunk mounting holes for thru-bolts with a blank head on one side for security and flush appearance. Security thru-bolts available to special order.

Material: 12GA cold rolled steel (galvanised or stainless steel to be specified for external use).

Finish: Grey primed, beige, white or bronze baked enamel.

Door thickness: For 44mm metal or timber doors as standard, but available to suit doors up to 57mm thick.

Glass thickness: Thickness can range from 5mm to 38mm but needs to be specified when ordering. Glass supplied separately.



REF	SIZE IN INCHES W X H	CUT-OUT MM W X H	CLEAR VISION MM W X H	GLASS SIZE MM (NOT INCLUDED)
SG-12-LSC 0808*	8 x 8	203 x 203	139 x 139	197 x 197
SG-12-LSC 1212*	12 x 12	305 x 305	241 x 241	299 x 299
SG-12-LSC 1230*	12 x 30	305 x 762	241 x 698	299 x 756

Available any size to special order.

LOPRO-SC METAL VISION FRAME WITH OPERATING SECURITY COVER

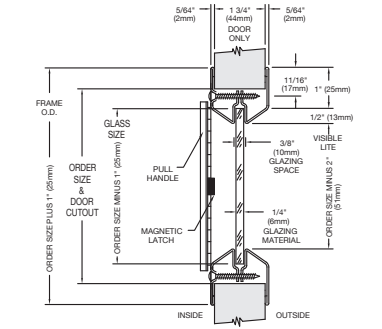
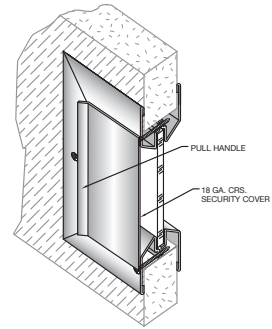
Metal vision frame based on LoPro design with 18GA hinged panel to one side. Hinged panel spot welded to frame with continuous hinge and closes to a magnetic catch. Opens with a metal finger pull. Installed with 44mm sheet metal screws that pass through the door cut-out, and fasten to the opposite side of the vision frame, thus eliminating the need to drill the door for thru-bolts and saving installation time and labour. It also leaves the corridor side of the frame free of fasteners for added security and a cleaner, more aesthetic appearance.

Material: 20GA cold rolled steel (18GA hinged panel).

Finish: Grey primed as standard; beige, white or bronze baked enamel to order.

Door thickness: For 44-46mm metal or timber doors. LoPro-IS-SC suits other door thicknesses.

Glass thickness: 6mm as standard. Glass pocket of 10mm allows for glazing tape or compound to be used on one or both sides of the glass. Glass supplied separately



REF	SIZE IN INCHES W X H	CUT-OUT MM W X H	CLEAR VISION MM W X H	GLASS SIZE MM (NOT INCLUDED)
LOPRO-SC 0808*	8 x 8	203 x 203	152 x 152	176 x 176
LOPRO-SC 1212*	12 x 12	305 x 305	254 x 254	278 x 278
LOPRO-SC 1230*	12 x 30	305 x 762	254 x 711	278 x 735

Available any size to special order.

SG-10 HIGH SECURITY METAL VISION FRAME FOR SPECIAL GLASS OR DOOR THICKNESS

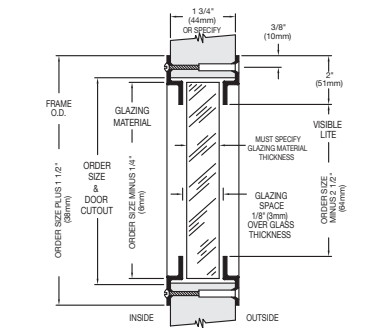
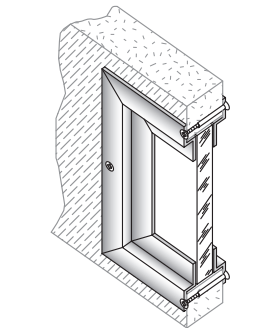
Heavy duty metal vision frame providing maximum security manufactured from heavy gauge steel. Designed to suit varying door and glass thickness - please specify when ordering. Installed by drilling 6.4mm holes through the door, around the perimeter of the frame. Frame has countersunk holes for thru-bolts with a blank head on one side for security and flush appearance. Security thru-bolts available to special order.

Material: 10GA cold rolled steel frame on glass 6.4mm - 25.4mm thick, 12GA on glass 25.4mm - 38.1mm thick.

Finish: Grey primed as standard; beige, white or bronze baked enamel to order.

Door thickness: For 44mm metal or timber doors as standard, but available to suit doors up to 57mm thick.

Glass thickness: Thickness can range from 5mm to 38mm but needs to be specified when ordering. Please allow a glazing space of 3.2mm over the glass thickness to accommodate glazing tape or compound on one or both sides of the glass. Glass supplied separately.



REF	SIZE IN INCHES W X H	CUT-OUT MM W X H	CLEAR VISION MM W X H	GLASS SIZE MM (NOT INCLUDED)
SG-10 0808*	8 x 8	203 x 203	139 x 139	197 x 197
SG-10 1212*	12 x 12	305 x 305	241 x 241	299 x 299
SG-10 1230*	12 x 30	305 x 762	241 x 698	299 x 756

Available any size to special order.

FULL CATALOGUE AVAILABLE SHOWING MANY SIMILAR PRODUCTS.

All products usually available ex-stock except those marked with *. Call for lead time. Additional manufacturers carriage charges may apply for * items. No charge for split boxes, but please try to order boxed quantity multiples where possible.