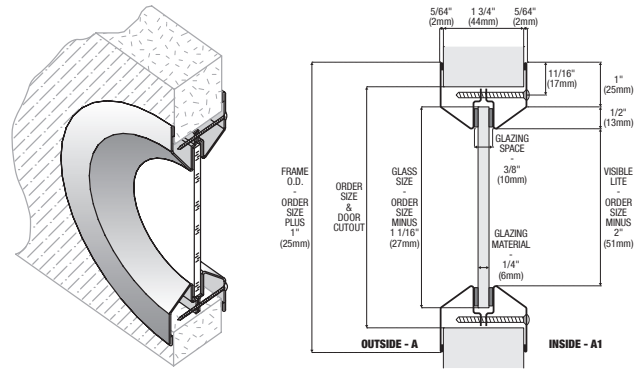


ANEMOSTAT ROUND METAL VISION FRAMES

LO-FP & LO-FP-IS ROUND METAL PORTHOLE VISION FRAMES

The Lo-FP range of portholes is available in three diameters: Lo-FP-12 suits a 305mm diameter cut-out in the door, Lo-FP-18 suits a 457mm diameter cut-out and Lo-FP-24 suits a 610mm diameter cut-out. All three sizes are easy to install and provide a low profile, "flush to the door look". Sheet metal screws pass through the door cut-out, and fasten to the opposite side of the vision frame, thus eliminating the need to drill the door for through bolts and saving installation time and labour. It also leaves the corridor side of the frame free of fasteners for added security and a cleaner, more aesthetic appearance.

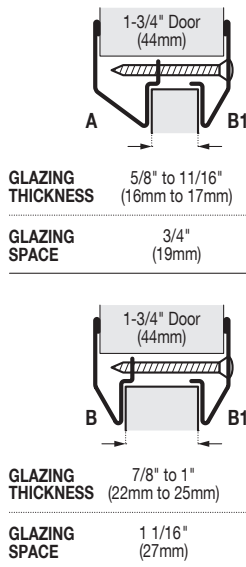
- Material:** 20GA mild steel. Stainless steel no longer available.
- Finishes:** Zinc plated grey primed as standard.
- Aesthetics:** Smooth round contour of low profile frame style gives a unique design to any setting.
- Fixings:** Special security fasteners available, see page 114.



Lo-FP-12 AA1 illustrated, dimensions vary for other sizes.

Fire tested to 4 hours on steel doors and 1 hour on timber doors when used with Zero FS9009 "ceramic type" glazing tape and FS4004 aperture liner (on timber doors) with suitable glass shown on page 95.

Door and glass thickness: Lo-FP is now available in two profiles to suit standard 6mm glass (Profiles AA1), and 22-25mm double glazed units (profiles BB1) on standard 44mm thick doors. Using one A profile and one B profile (profiles AB1) suits 16mm glass on 44mm thick doors, and 7mm glass on 35mm thick doors. Unlike the Slimport designs (on pages 88-92) which fix through the bevel and have two different halves, Lo-FP portholes consist of two similar halves which fix through the flat face of the porthole. This means the glazing pocket will increase in direct proportion to the door thickness. The simplest way to think about it is that if you add or deduct 10mm to the door thickness, you also add or deduct 10mm to the glazing pocket. All that will be required is longer or shorter screws for fixing purposes.



- A, B = concealed fix side.
- A1, B1 = screw fix side.
- GGP = zinc plated grey primed.
- Circumference = πr .
- Area = πr^2 .
- $\pi = 22/7 = 3.141592$.

PROFILES AA1 (GLASS CENTRAL IN DOOR)								
DOOR THICKNESS	35mm	40mm	44mm	50mm	54mm	57mm	60mm	65mm
GLAZING POCKET	-	6mm	10mm	16mm	20mm	23mm	26mm	31mm

PROFILES AB1 (GLASS OFFSET IN DOOR)								
DOOR THICKNESS	35mm	40mm	44mm	50mm	54mm	57mm	60mm	65mm
GLAZING POCKET	10mm	15mm	19mm	25mm	29mm	32mm	35mm	40mm

PROFILES BB1 (GLASS CENTRAL IN DOOR)								
DOOR THICKNESS	35mm	40mm	44mm	50mm	54mm	57mm	60mm	65mm
GLAZING POCKET	18mm	23mm	27mm	33mm	37mm	40mm	43mm	48mm

Longer screws may be required for thicker doors.

	305MM DIAMETER	457MM DIAMETER	610MM DIAMETER
LO-FP-12 4 MOUNTING HOLES PER VISION FRAME	LO-FP-18 8 MOUNTING HOLES PER VISION FRAME	LO-FP-24 8 MOUNTING HOLES PER VISION FRAME	
305mm Diameter Cut-out (12 Inches) 254mm Diameter Clear Vision 330mm Outside Frame Dimension 278mm Diameter Glass Size 959mm Aperture Circumference	457mm Diameter Cut-out (18 Inches) 406mm Diameter Clear Vision 483mm Outside Frame Dimension 430mm Diameter Glass Size 1436mm Aperture Circumference	610mm Diameter Cut-out (24 Inches) 559mm Diameter Clear Vision 635mm Outside Frame Dimension 583mm Diameter Glass Size 1917mm Aperture Circumference	
AA1 PROFILES	LO-FP-AA1-12-GGP	LO-FP-AA1-18-GGP	LO-FP-AA1-24-GGP
TO SUIT 44MM DOOR & 6MM GLASS (10MM POCKET)	Mild steel, zinc plated grey primed	Mild steel, zinc plated grey primed	Mild steel, zinc plated grey primed
BB1 PROFILES	LO-FP-BB1-12-GGP	LO-FP-BB1-18-GGP	LO-FP-BB1-24-GGP
TO SUIT 44MM DOOR & 25MM GLASS (27MM POCKET)	Mild steel, zinc plated grey primed	Mild steel, zinc plated grey primed	Not available

GLASS (FOR FIRE RATED AND NON-FIRE RATED DOORS)	DIAMETER 278MM	DIAMETER 430MM	DIAMETER 583MM
6.4mm laminated clear safety glass (non-fire rated) see page 96	LAM278	LAM430*	LAM583*
7.2mm thick clear GWP safety (1/2hr fire rated) see page 97	GWP278	GWP430	GWP583*
6mm thick clear fire resistant (1/2hr & 1 hr fire rated) see page 97	PCT278*	PCT430*	PCT583*
9mm thick clear laminated Firelite (4hr fire rated) see page 97	FIR9278*	FIR9430*	FIR583*

All products usually available ex-stock except those marked with *. Call for lead time. Additional manufacturers carriage charges may apply for * items. No charge for split boxes, but please try to order boxed quantity multiples where possible.