

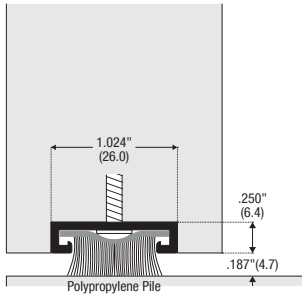
# ZERO UNDER DOOR SEALS

Sizes: 914mm (3 ft), 1219mm (4 ft), 1829mm (6 ft), 2134mm (7 ft), 3048mm (10 ft). Other sizes available to order, maximum 3048mm.

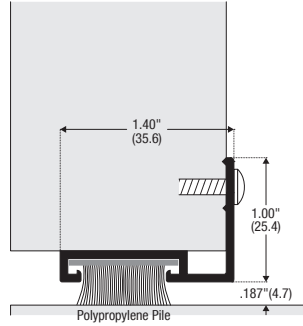
Finishes: A=mill aluminium, AA=clear anodised silver, B=seff colour brass (aka US bronze), D=dark bronze anodised and G=gold anodised where indicated.

During the life of this catalogue and as current inventory is sold, our stock of mill aluminium products (finish A) will be switching to anodised aluminium (finish AA). We will endeavour to avoid supplying orders in mixed finishes.

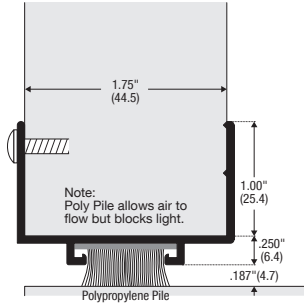
Availability: usually ex-stock except items marked with an asterisk, which are to special order (3-5 weeks) depending on quantity.



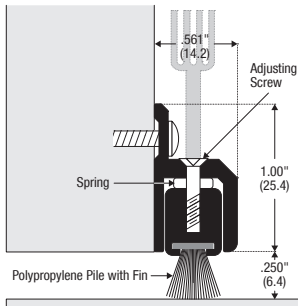
**254A**  
Poly pile sweep.  
254A



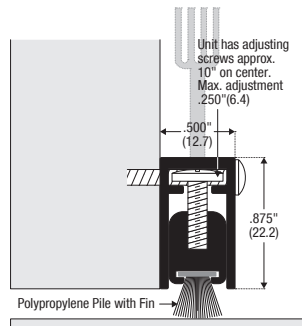
**154A**  
Poly pile sweep/angle. Available D finish to order.  
154A



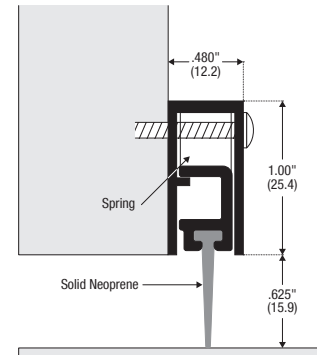
**110A**  
Door shoe for 44mm thick door.  
110A\*



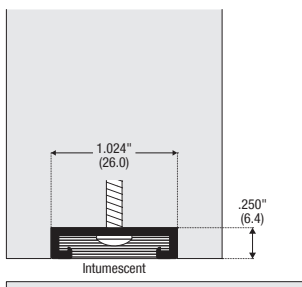
**255AA**  
Adjustable sill sweep.  
255AA\*



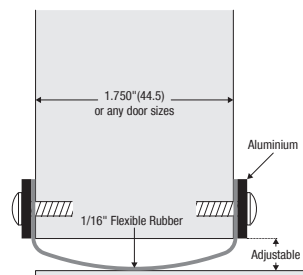
**871AA**  
Adjustable sill sweep.  
871AA



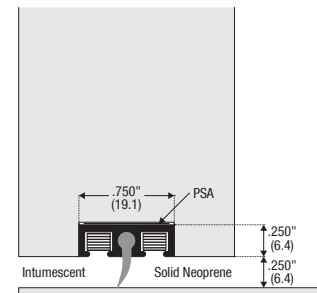
**571AA** **REVISED**  
Adjustable sill sweep. Solid neoprene lip.  
571AA



**253FSA**  
Morticed door sweep with intumescent.  
253FSA\*



**511A**  
Door sweep.  
511A\*



**59FSA**  
Morticed door sweep with neoprene blade and intumescent.  
59FSA\*

All products usually available ex-stock except those marked with \*. Call for lead time. Additional manufacturers carriage charges may apply for \* items. No charge for split boxes, but please try to order boxed quantity multiples where possible.