

ZERO UNDER DOOR SEALS

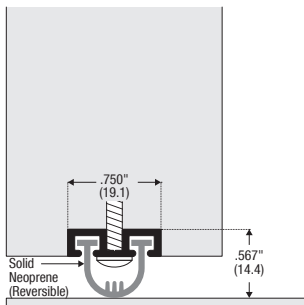
Sizes: 914mm (3 ft), 1219mm (4 ft), 1829mm (6 ft), 2134mm (7 ft), 3048mm (10 ft). Other sizes available to order, maximum 3048mm.

Finishes: A=mill aluminium, AA=clear anodised silver, B=seff colour brass (aka US bronze), D=dark bronze anodised and G=gold anodised where indicated.

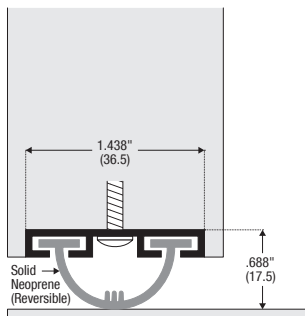
Availability: usually ex-stock except items marked with an asterisk, which are to special order (3-5 weeks) depending on quantity.

During the life of this catalogue and as current inventory is sold, our stock of mill aluminium products (finish A) will be switching to anodised aluminium (finish AA). We will endeavour to avoid supplying orders in mixed finishes.

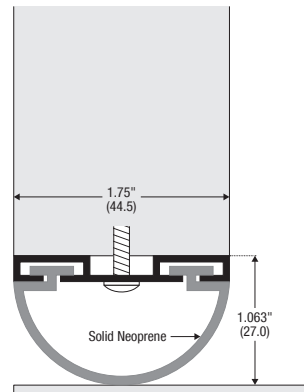
FLO option: seals are notched and overlapped to facilitate air flow.



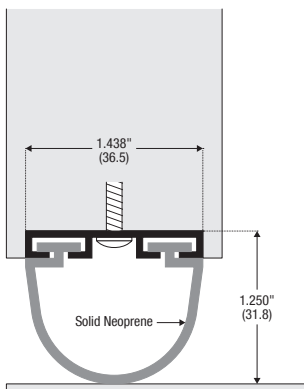
53A
19mm wide carrier.
53A



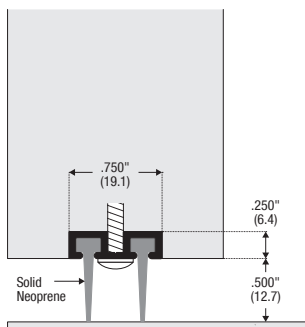
52A
37mm wide carrier.
52A



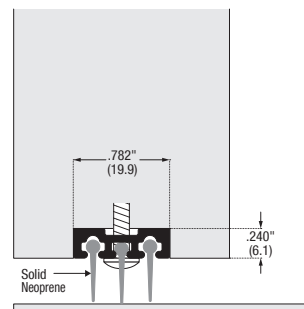
72A
44mm wide carrier.
72A



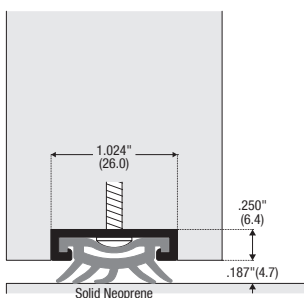
452A
37mm wide carrier (larger neoprene).
452A



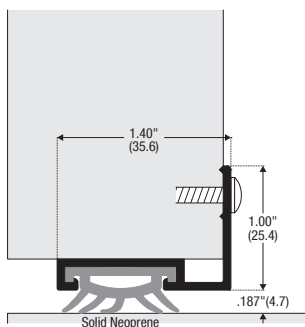
381A
Double flipper sweep.
381A
381A-FLO*



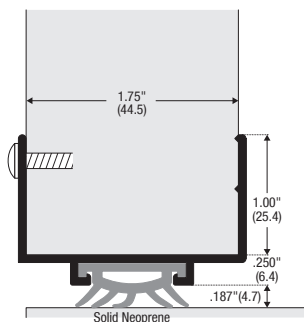
3546A
Triple flipper seal with neoprene.
3546A*
3546A-FLO*



253A
Ribbed neoprene.
253A
253A-FLO*



153A
Ribbed neoprene/angle.
Available D finish to order.
153A
153A-FLO*



111A
Door shoe for 44mm thick door.
111A*