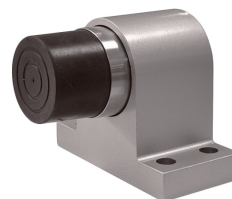


SPRING LOADED DOORSTOP

Heavy duty sprung doorstop suitable for external use. Silver sprayed finish. With 38mm diameter black spring-loaded rubber buffer. Base 90x46mm, casting 75mm high overall. Accepts four heavy duty fixings, not supplied. Suitable for doors weighing up to 100kg. The doorstop should be mounted as far away as possible from the hinge side of the door.

Successfully tested to Grade 4 (240 hours neutral salt spray exposure) in accordance with BS EN 1670:2007 Building Hardware - Corrosion Resistance. Report No WIL 392103 dated 30.01.2018 refers.

Z2018HD Spring-loaded buffer (Box Qty 1)



DURHAM PATTERN DOOR BUFFERS

Standard upstand "Durham Pattern" heavy duty door buffers to suit sliding doors and outward opening doors, suitable for external use. When fitted to the ground they limit the opening angle of external outward opening doors. A heavy duty black rubber door buffer measuring 150x50x50mm is securely fitted to satin stainless steel angle plate. Base plate 60x150mm drilled with three 10mm holes for bolt fixing to ground. Ground fixings not included. Grade 304 stainless steel. Also available Grade 316 to special order.

ZDP.1 Standard upstand, 60mm high (Box Qty 1)



Extended upstand "Durham Pattern" heavy duty door buffers to suit sliding doors and outward opening doors, suitable for external use. All details as ZDP.1 above but with extended 100mm upstand. Ground fixings not included. Grade 304 stainless steel as standard which has been successfully tested to Grade 4 (240 hours neutral salt spray exposure) in accordance with BS EN 1670:2007 Building Hardware - Corrosion Resistance. Report No WIL 392103 dated 30.01.2018 refers. Also available Grade 316 to special order.

ZDP.2 Extended upstand, 100mm high (Box Qty 1)

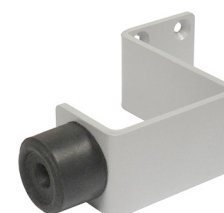


LEICESTER PATTERN WALL MOUNTED BUFFERS

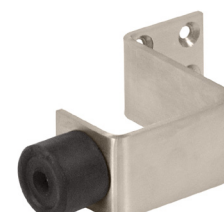
This new product has been designed for external outward opening hinged doors to prevent the door opening beyond 90 degrees and slamming into walls. It fits to the wall and projects over the door frame to buffer the door; the 90mm projection allows the bracket to be fitted to the adjacent wall so the frame or architrave is accommodated within the angle. It is recommended to fit this product at mid-height on the frame as this spreads the load on the door, but it may be fitted higher to avoid projection into public thoroughfares at child level.

It can be used where a floor mounted doorstop might be considered a trip hazard, or where the bottom of the door is considerably higher than ground level making it infeasible to fit a floor mounted doorstop, such as the Durham Pattern door buffers above. Or it can be used where a door stay or door closer is not desired. Depending on the frame detail, it may also be fitted to the door frame.

The ZLP is manufactured from 4mm thick zinc plated mild steel so is suitable for external use. Standard finish is silver grey paint finish (-SIL). It is also available in Grade 304 stainless steel (-SS). It is supplied complete with a 35mm diameter black rubber buffer (Z035) which is bolted in place. The bracket is drilled four times with 6mm holes countersunk for #12 screws (not supplied). Care is required when specifying this product as its fixing position close to the hinge axis can create a fulcrum when the door comes into contact with it, especially with heavy doors in windy locations. In these situations, a heavier duty doorstop or door stay should be used.

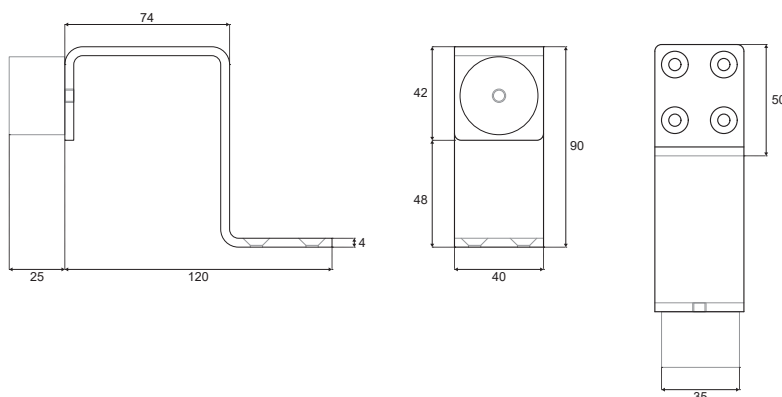


ZLP-SIL



ZLP-SS

REF	DESCRIPTION	BOX QTY
ZLP-SIL	Medium duty wall mounted door buffer, 70mm projection, powder coated silver grey	1
ZLP-SS	Medium duty wall mounted door buffer, 70mm projection, brushed stainless steel	1



All products usually available ex-stock except those marked with *. Call for lead time. Additional manufacturers carriage charges may apply for * items. No charge for split boxes, but please try to order boxed quantity multiples where possible.