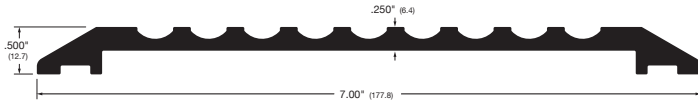


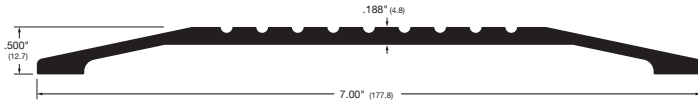
ZERO 12.7mm HIGH FLAT THRESHOLDS

Sizes: 914mm (3 ft), 1219mm (4 ft), 1829mm (6 ft), 2134mm (7 ft), 3048mm (10 ft). Other sizes available to order, maximum 3048mm.
 Finishes: A=mill aluminium, B=self colour brass (aka US bronze), D=dark bronze anodised, E=epoxy, STST=stainless steel and V3=full body strength where indicated.
 Availability: usually ex-stock except items marked with an asterisk, which are to special order (3-5 weeks) depending on quantity. NH = No Holes.



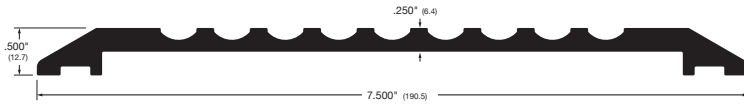
657A

178mm wide x 12.7mm high utility plain grooved threshold for use with floorsprings in new applications (undrilled). Supplied NH standard. 657A Aluminium, mill finish



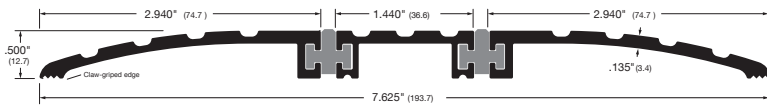
6570A

178mm wide x 12.7mm high utility plain grooved threshold for use with floorsprings (undrilled). Supplied NH standard. 6570A Aluminium, mill finish



6575A

190mm wide x 12.7mm high utility plain grooved threshold for use with floorsprings in existing applications (undrilled). Supplied NH standard. 6575A Aluminium, mill finish



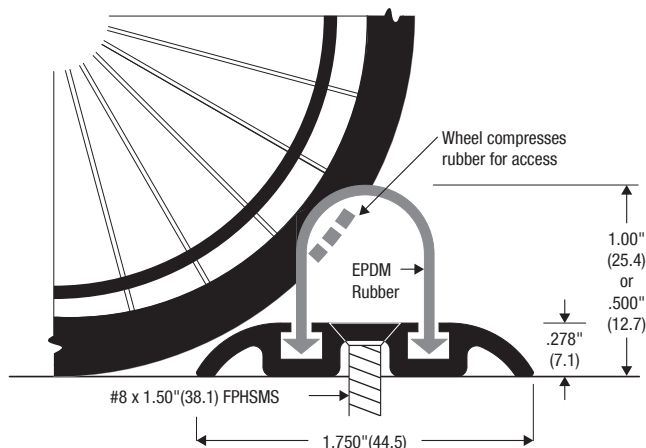
8726A

194mm wide x 12.7mm high thermal break threshold with PVC breaks. 8726A* Aluminium, mill finish

See page 24 for more thermal break thresholds.

WHEELCHAIR SHOWER THRESHOLDS

Designed for use when a shower must be accessible to a wheelchair. The neoprene gasket will keep water in while allowing the wheel to pass over easily. This product is supplied with one piece of neoprene rubber which attaches to the top of the aluminium base after it has been screwed to the floor. Care should be taken if underfloor heating is installed. The aluminium base needs to be bedded on silicone mastic to prevent water seepage underneath.



8452A, 845253A

44mm wide x 7mm high wheelchair accessible shower threshold. The EPDM rubber gasket is 12.7mm or 25.4mm high overall and will retain water, while allowing wheelchair users to pass over it easily. 8452A Aluminium, mill finish, 25.4mm high. 845253A Aluminium, mill finish, 12.7mm high



All products usually available ex-stock except those marked with *. Call for lead time. Additional manufacturers carriage charges may apply for * items. No charge for split boxes, but please try to order boxed quantity multiples where possible.