

ZFM SURFACE MOUNTED DOOR LOOPS

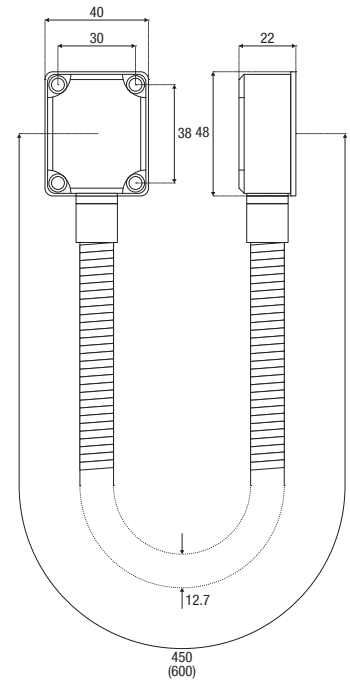
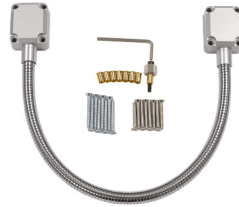
Zero has long offered the ZFM traditional pattern surface mounted door loop in the standard length of 450mm. This product is used to transfer electricity from door frame to door leaf so that any electric hardware on the door can be powered. Following requests from customers for a longer version to work on thicker doors, doors on projecting hinges or doors opening to greater angles, we are pleased to add a 600mm version to the range. Both sizes are supplied complete with visible fixing machine and wood screws and supplied in silver finish as standard.

CORROSION

This product has been successfully tested to Grade 4 (240 hours neutral salt spray exposure) in accordance with BS EN 1670:2007 Building Hardware - Corrosion Resistance. Report No WIL 392103 dated 30.01.2018 refers.

ZFM.450

Traditional pattern door loop.
 Top selling pattern.
 Standard length 450mm long overall.
 Cast aluminium ends 48mm x 40mm x 22mm.
 Four fixings for each end supplied.
 Silver finish.
 Flexible metal loop 12.7mm external diameter & 7.3mm internal diameter.
 Chrome plated finish.
 (Box Qty 1)



ZFM.600

Traditional pattern door loop.
 Extended length 600mm long overall.
 Cast aluminium ends 48mm x 40mm x 22mm.
 Four fixings for each end supplied.
 Silver finish.
 Flexible metal loop 12.7mm external diameter & 7.3mm internal diameter.
 Chrome plated finish.
 (Box Qty 1)



ZFLEX SURFACE MOUNTED DOOR LOOPS

When budget door loops are required we can offer the ZFLEX-30 with a 300mm long metal loop and the ZFLEX-60 with a 600mm metal loop. Additionally we offer the ZADL vandal resistant pattern door loop with vandal resistant screws. These products are used to transfer electricity from door frame to door leaf so that any electric hardware on the door can be powered.

ZFLEX-30

Economy pattern door loop.
 Standard length 300mm overall.
 With metal end caps.
 Silver finish.
 (Box Qty 1)



ZFLEX-60

Economy pattern door loop.
 Standard length 600mm overall.
 With metal end caps.
 Silver finish.
 (Box Qty 1)



ZADL

Vandal resistant pattern door loop.
 Standard length 600mm overall.
 Including vandal resistant screws.
 Chrome plated finish.
 (Box Qty 1)

