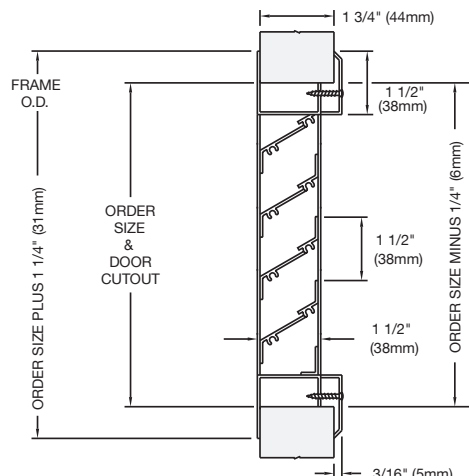
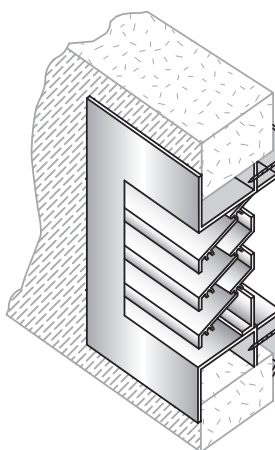


ANEMOSTAT METAL LOUVRES

SRDL STORM PROOF EXTRUDED ALUMINIUM LOUVRE

The SRDL is a storm proof louvre manufactured from aluminium extrusions. It is designed for use on the external doors of public, commercial and institutional buildings where protection is required from the weather. It is easy to install using 25mm screws that fasten the auxiliary frame to the louvre core through the cut-out in the door, leaving the external side of the frame free from fixings for added security and a cleaner look. This eliminates the need to drill holes through the door, saving time and installation labour. Since it is made of aluminium there is no risk of rusting. For the same reason, SRDL is not fire rated.

- Material:** Extruded aluminium 1.6mm thick.
- Finish:** Mill silver finish as standard.
Can be used as final finish or painted.
Anodised silver available to special order.
- Door thickness:** To suit 44-46mm thick metal or timber doors.
- Blade pitch:** 38mm vertical gap between pitched blades.
- Free area:** 36% free area.
- Screens:** Available with removable insect screen to special order.
- Specials:** Fractional sizes are available to special order.
- Fixings:** Special security fasteners available, see page 114.



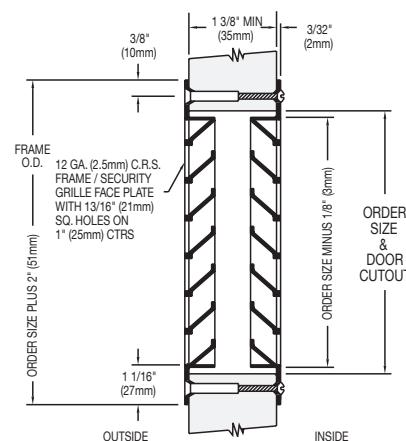
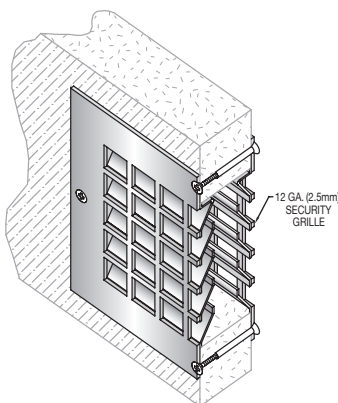
REF	SIZE IN INCHES W X H	CUT-OUT MM W X H	OUTSIDE FRAME MM
SELF-ATTACHING ALUMINIUM STORM PROOF LOUVRE TO SUIT 44-46MM THICK DOORS - OTHER SIZES TO SPECIAL ORDER			
SRDL 0808*	8 x 8	203 x 203	234 x 234
SRDL 1212	12 x 12	305 x 305	336 x 336
SRDL 1812*	18 x 12	457 x 305	488 x 336
SRDL 1818	18 x 18	457 x 457	488 x 488
SRDL 1824*	18 x 24	457 x 610	488 x 641
SRDL 2424*	24 x 24	610 x 610	641 x 641

Other sizes available from 203 x 203mm up to 914 x 1829mm cut-out in door.

PLSL LOUVRE WITH SECURITY GRILLE BOTH SIDES

The PLSL louvre is a non-vision inverted split louvre installed by drilling 6.4mm holes through the door, around the perimeter of the door cut-out. Frame has countersunk mounting holes for thru-bolts with a blank head on one side for security and flush appearance. Security thru-bolts available to special order.

- Material:** 12GA steel frame and security grille face plate (with 20.6mm square holes on 25.4mm centres).
18GA steel louvre blades.
- Finish:** Galvanised steel grey primed as standard; beige, white or bronze baked enamel to order.
- Door thickness:** To suit 35mm minimum thick metal or timber doors.
- Free area:** 40% free area.



REF	SIZE IN INCHES W X H	CUT-OUT MM W X H	OUTSIDE FRAME MM
THRU-BOLT FIXING SPLIT Y LOUVRE TO SUIT 35MM MINIMUM THICK DOORS, GALV GREY PRIMED - OTHER SIZES TO SPECIAL ORDER			
PLSL 0808*	8 x 8	203 x 203	254 x 254
PLSL 1212*	12 x 12	305 x 305	356 x 356
PLSL 1818*	18 x 18	457 x 457	508 x 508
PLSL 2424*	24 x 24	610 x 610	661 x 661

Available any size to special order, also with fly screens.
Full catalogue available showing many similar security products.

All products usually available ex-stock except those marked with *. Call for lead time.
Additional manufacturers carriage charges may apply for * items.
No charge for split boxes, but please try to order boxed quantity multiples where possible.