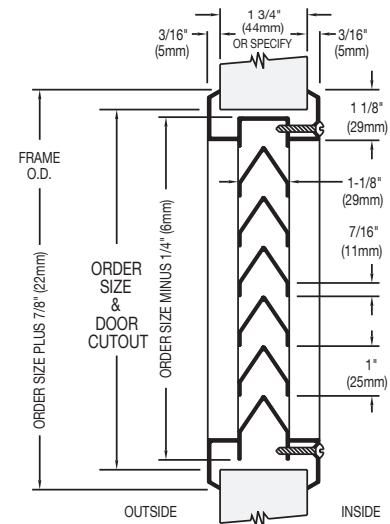
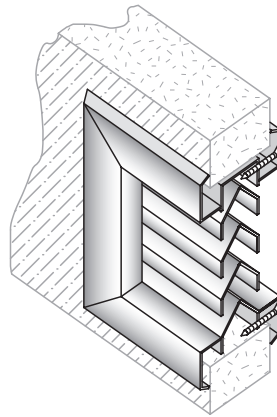


ANEMOSTAT 304 / 316 STAINLESS STEEL LOUVRES

STAINLESS STEEL AFDL INVERTED Y LOUVRE - NON VISION

Our most popular louvre, the AFDL.44 is easy to install using screws that fasten the auxiliary frame to the louvre core through the cut-out in the door, leaving the corridor side of the frame free from fixings for added security and an aesthetically pleasing appearance. This eliminates the need to drill holes through the door, saving time and installation labour.

- Material: Grade 304 or Grade 316 stainless steel for use in coastal areas.
- Finish: #4 satin finish.
- Door thickness: To suit 44-46mm thick metal or timber doors.
- Blade pitch: 35.8° from vertical.
- Louvre mesh: Stainless steel insect and bird mesh available, see page 113.
- Free area: 50% free area. (36.6% when using insect mesh).
- Fixings: Special security fasteners available, see page 114.



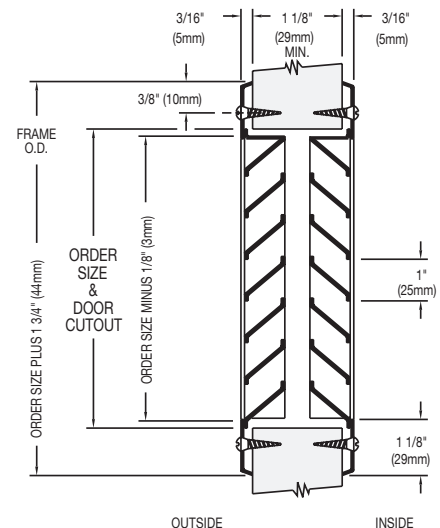
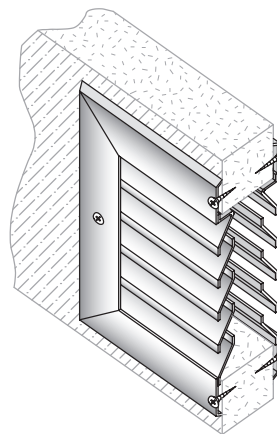
REF	SIZE IN INCHES W X H	CUT-OUT MM W X H	OUTSIDE FRAME MM
SELF-ATTACHING STAINLESS STEEL INVERTED Y LOUVRE TO SUIT 44-46MM THICK DOORS - OTHER SIZES TO SPECIAL ORDER			
AFDL.44-SS 0606	6 x 6	152 x 152	174 x 174
AFDL.44-SS 0808	8 x 8	203 x 203	225 x 225
AFDL.44-SS 1212	12 x 12	305 x 305	327 x 327
AFDL.44-SS 1812	18 x 12	457 x 305	479 x 327
AFDL.44-SS 1818	18 x 18	457 x 457	479 x 479
AFDL.44-SS 1836	18 x 36	457 x 914	479 x 936
AFDL.44-SS 2424	24 x 24	610 x 610	632 x 632

Other sizes available from 152 x 152mm up to 914 x 1829mm cut-out in door. AFDL-N, AFDL-W and AFDL-W1 in Grades 304 and 316 available to special order.

STAINLESS STEEL FDLS INVERTED SPLIT Y LOUVRE - NON VISION

Each side of the FDLS louvre fastens directly onto the door through countersunk mounting holes, this enables it to be used on doors ranging from 29mm up to any thickness.

- Material: Grade 304 or Grade 316 stainless steel for use in coastal areas.
- Finish: #4 satin finish.
- Door thickness: To suit 29mm minimum thick metal or timber doors.
- Free area: 50% free area. (36.6% when using insect mesh).
- Louvre mesh: Stainless steel insect and bird mesh available, see page 113.
- Fixings: Special security fasteners available, see page 114.



REF	SIZE IN INCHES W X H	CUT-OUT MM W X H	OUTSIDE FRAME MM
SCREW FIXING STAINLESS STEEL SPLIT Y LOUVRE TO SUIT 29MM MINIMUM THICK DOORS - OTHER SIZES TO SPECIAL ORDER			
FDLS-SS 0606	6 x 6	152 x 152	196 x 196
FDLS-SS 0808	8 x 8	203 x 203	247 x 247
FDLS-SS 1212	12 x 12	305 x 305	349 x 349
FDLS-SS 1812	18 x 12	457 x 305	501 x 349
FDLS-SS 1818	18 x 18	457 x 457	501 x 501
FDLS-SS 1836	18 x 36	457 x 914	501 x 958
FDLS-SS 2424	24 x 24	610 x 610	654 x 654

Other sizes available from 152 x 152mm up to 914 x 1829mm cut-out in door.