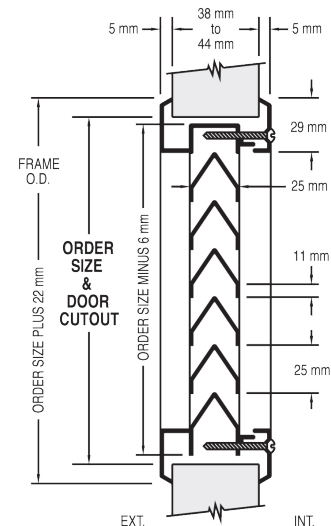
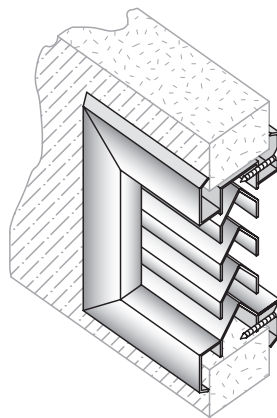


ANEMOSTAT METAL LOUVRES

AFDL-N EXPANDABLE 38-44MM INVERTED Y LOUVRES - NON VISION

The AFDL.44 on pages 100-101 is designed only to suit a 44mm thick door. To accommodate different door thicknesses, two new models have been introduced. AFDL-N suits doors 38mm to 44mm and AFDL-W below suits doors 45mm to 55mm thick. All other details remain the same as the AFDL.44. They are easy to install using screws that fasten the auxiliary frame to the louvre core through the cut-out in the door, leaving the corridor side of the frame free from fixings for added security and a cleaner aesthetic appearance. This eliminates the need to drill holes through the door, saving time and installation labour.

- Material: 18GA galvanised steel - frame.
22GA galvanised steel - louvre blades.
- Finish: Galvanised steel grey primed - other finishes available to order, including Grade 304 and Grade 316 stainless steel for use in coastal areas.
- Door thickness: AFDL-N - 38-44mm. Metal or timber doors.
- Louvre mesh: Mesh cannot be used with expandable frames.
- Free area: 50% free area.
- Fixings: Special security fasteners available, see page 114.



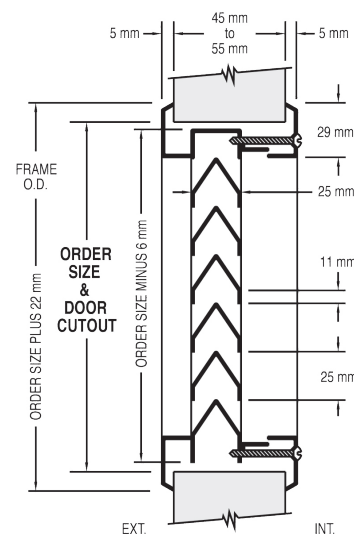
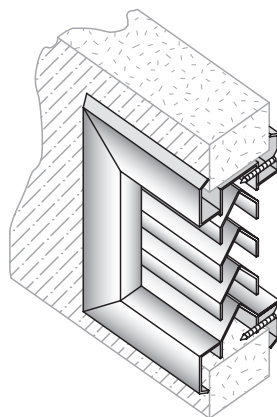
REF	SIZE IN INCHES W X H	CUT-OUT MM W X H	OUTSIDE FRAME MM
SELF-ATTACHING INVERTED Y LOUVRE TO SUIT 38-44MM THICK DOORS, GALV GREY PRIMED - OTHER SIZES TO SPECIAL ORDER			
AFDL-N 1208	12 x 8	305 x 203	327 x 225
AFDL-N 1212	12 x 12	305 x 305	327 x 327
AFDL-N 1812	18 x 12	457 x 305	479 x 327
AFDL-N 1818	18 x 18	457 x 457	479 x 479
AFDL-N 1860*	18 x 60	457 x 1524	479 x 1546
AFDL-N 1866*	18 x 66	457 x 1676	479 x 1698
AFDL-N 2424	24 x 24	610 x 610	632 x 632

Other sizes available from 152 x 152mm up to 914 x 1829mm cut-out in door.

AFDL-W EXPANDABLE 45-55MM INVERTED Y LOUVRES - NON VISION

The AFDL.44 on pages 100-101 is designed only to suit a 44mm thick door. To accommodate different door thicknesses, two new models have been introduced. AFDL-N above suits doors 38mm to 44mm and AFDL-W suits doors 45mm to 55mm thick. All other details remain the same as the AFDL.44. They are easy to install using screws that fasten the auxiliary frame to the louvre core through the cut-out in the door, leaving the corridor side of the frame free from fixings for added security and a cleaner aesthetic appearance. This eliminates the need to drill holes through the door, saving time and installation labour.

- Material: 18GA galvanised steel - frame.
22GA galvanised steel - louvre blades.
- Finish: Galvanised steel grey primed - other finishes available to order, including Grade 304 and Grade 316 stainless steel for use in coastal areas.
- Door thickness: AFDL-W - 45-55mm. Metal or timber doors.
- Thicker Doors: AFDL-W1 now available to special order for doors 55-65mm thick.
- Louvre mesh: Mesh cannot be used with expandable frames.
- Free area: 50% free area.
- Fixings: Special security fasteners available, see page 114.



REF	SIZE IN INCHES W X H	CUT-OUT MM W X H	OUTSIDE FRAME MM
SELF-ATTACHING INVERTED Y LOUVRE TO SUIT 45-55MM THICK DOORS, GALV GREY PRIMED - OTHER SIZES TO SPECIAL ORDER			
AFDL-W 1208*	12 x 8	305 x 203	327 x 225
AFDL-W 1212	12 x 12	305 x 305	327 x 327
AFDL-W 1810	18 x 10	457 x 254	479 x 276
AFDL-W 1812	18 x 12	457 x 305	479 x 327
AFDL-W 1818	18 x 18	457 x 457	479 x 479
AFDL-W 1836	18 x 36	457 x 914	479 x 936
AFDL-W 1860	18 x 60	457 x 1524	479 x 1546
AFDL-W 1866*	18 x 66	457 x 1676	479 x 1698
AFDL-W 2424	24 x 24	610 x 610	632 x 632

Other sizes available from 152 x 152mm up to 914 x 1829mm cut-out in door.