

THE Z109.0 AND Z109.1 CAN BE USED ON BOTH LEFT AND RIGHT HANDED DOORS (EXCEPT Z109.2 WHICH IS HANDED EITHER LH OR RH).

1 : POSITION THE CHANNEL ON THE DOOR FACE, WITH THE DOOR CLOSED INTO THE FRAME.

2 : MARK AND FIX TO THE DOOR.

3 : INSERT THE SPRING INTO THE CHANNEL, THEN INSERT THE RETAINING PIN.

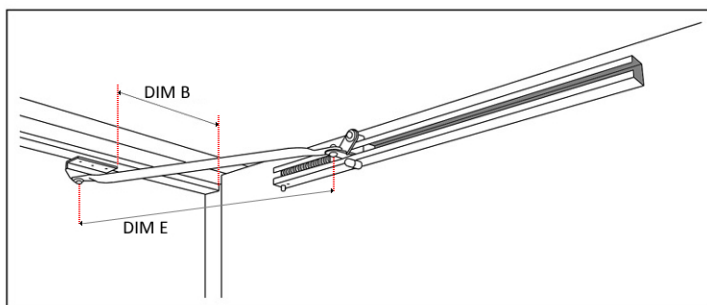
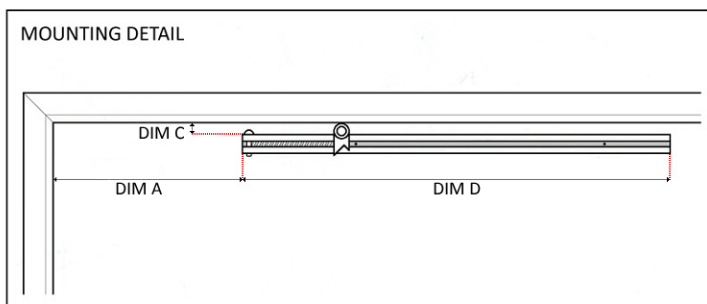
4 : SECURE THE SWINGING PAWL HOLDER ON THE BRACKET AT THE TOP OF THE CHANNEL WITH THE RETAINING WASHER, USING THE NYLON DRIVE SLEEVE (DISCARD AFTER USE).

5 : INSERT THE SLIDE END OF THE ARM INTO THE CHANNEL.

6 : SCREW THE ARM BRACKET TO THE FRAMEHEAD.

7 : LUBRICATE THE SLIDE WITH LIGHT GREASE AND TEST FOR HOLD AND RELEASE.

8 : IF DOOR IS REQUIRED TO HOLD OPEN BEYOND 90 DEGREES, DIMENSIONS A AND B SHOULD BE REDUCED. IF DOOR IS REQUIRED TO HOLD OPEN BEFORE 90 DEGREES, DIMENSIONS A AND B SHOULD BE INCREASED.



MOUNTING POSITIONS TO ACHIEVE HOLD OPEN AT 90 DEGREES.

	Z109.0 SHORT	Z109.1 STANDARD	Z109.2 LONG
DIM A	45MM	160MM	310MM
DIM B	125MM	225MM	270MM
DIM C	20MM	20MM	20MM
DIM D	465MM	625MM	700MM
DIM E	320MM	480MM	625MM