



Webley

MKIV REVOLVER OWNER'S MANUAL



WARNING



CONTENTS

This is a lethal weapon. Failure to read and properly execute the instructions and warnings could lead to serious injury or death.

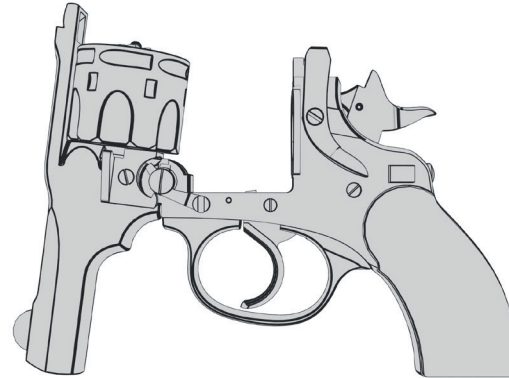
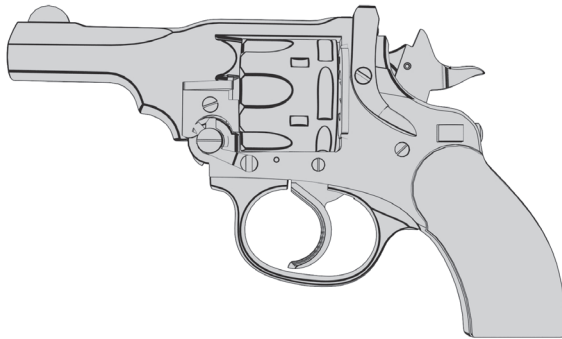
- Do no attempt to practice loading or unloading with live ammunition without fully comprehending the safe operation of the firearm.
- Always treat the firearm as it were loaded.
- Do not store the firearm loaded with ammunition.
- Keep out of the reach of children.
- Always point the firearm in a safe direction away from people.
- Do not use the firearm if there is evidence of damage on any of the parts.
- Read through the entire manual before attempting to use the firearm.

Introduction	3
General Characteristics	3
Parts Diagram	4
Operating the Safety	4
Loading the Firearm	5
Unloading the Firearm and Making Safe	5
Firing the Firearm	6
Maintenance and Storage	6
Warranty	7

Webley

INTRODUCTION

GENERAL CHARACTERISTICS



The Webley and Scott Mk4 Revolver was first introduced in 1899 and saw service up until 1970 in various countries around the world.

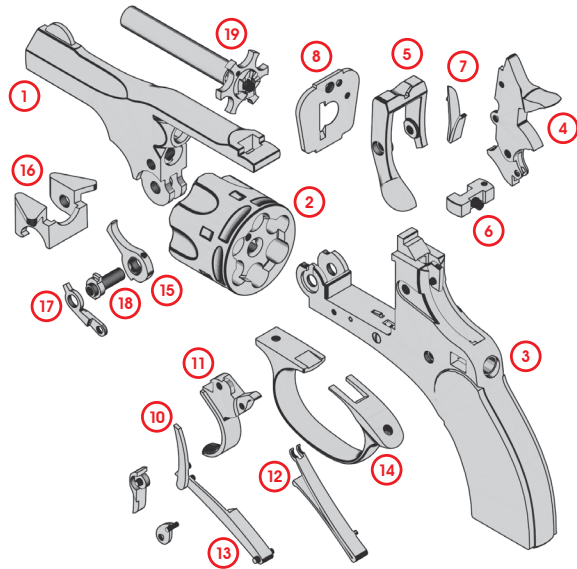
The innovative design stood the test of time and is now being brought back to life with virtually no changes in the design or manufacturing process. This ensures the original quality and performance will be achieved.

Key Features:

- Single or Double Action
- Manual Safety
- High Quality Robust Finish
- Original Proven and Tested Design

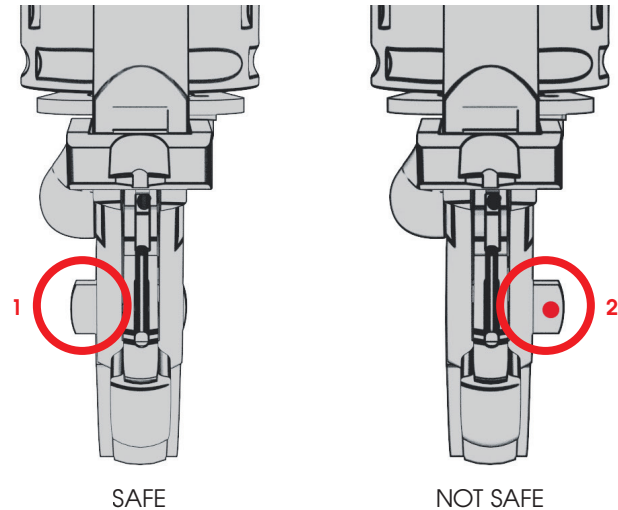
Caliber	.32 S&W
Overall Length	120.5 mm
Barrel Length	76.2 mm
No. of Rifling Grooves	7
Twist Rate	1 : 12
Dimensions (L*W*H)	181.5*36.8*107 mm
Total Weight (Empty)	750 Grams

PARTS DIAGRAM



- | | |
|---------------------|-----------------------------|
| 1 Barrel Assembly | 11 Trigger |
| 2 Cylinder Assembly | 12 Main Spring |
| 3 Body | 13 Main Spring Auxiliary |
| 4 Hammer Assembly | 14 Trigger Guard |
| 5 Barrel Catch | 15 Extractor Lever Assembly |
| 6 Safe Lock | 16 Cylinder Cam |
| 7 Catch Spring | 17 Pawl |
| 8 Shield | 18 Joint Axis Pin |
| 9 Cylinder Stop | 19 Extractor |
| 10 Pawl | |

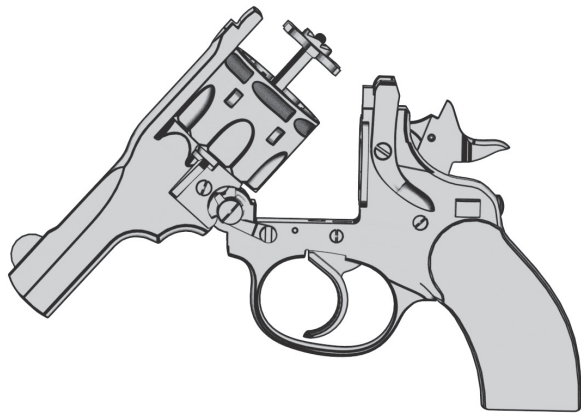
OPERATING THE SAFETY



The Mk4 Revolver has a push button Safety Catch located at the top of the grip (Part 6 on Parts Diagram). The firearm should have the Safety Catch engaged at all times until the user is ready to fire.

The Safety Catch is engaged when it is protruding from the left side of the firearm (1). If the Safety catch is disengaged, a red dot will be seen from the top of the Safety Catch (2). The red dot should only be seen when the user is ready to fire.

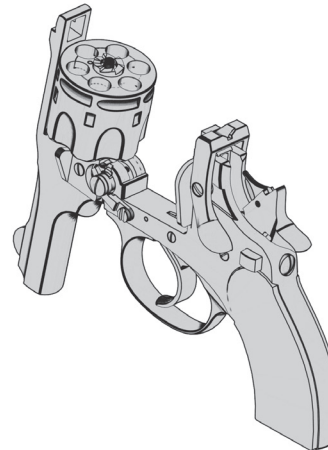
LOADING THE MKIV



Pointing the firearm in a safe direction, depress the Barrel Catch (Part 5 on the Parts Diagram) with your thumb whilst holding the grip firmly. This will break the action, exposing the rear of the Cylinder Assembly (Part 2 on the Parts Diagram). Insert the desired amount of ammunition into the Cylinder Assembly. When ready, depress the Barrel Catch and close the front portion of the firearm. Release the Barrel Catch to lock the front portion ready for firing. Remember to have the Safety Catch on Safe at all times until ready to fire.

Use quality ammunition from known brands. Do not load old ammunition. If the ammunition looks damaged in any way, do not load it into the firearm.

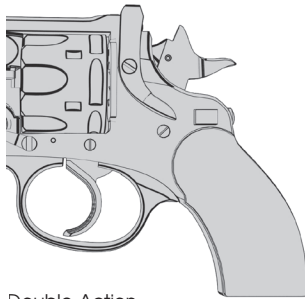
UNLOADING THE MKIV



To unload, point the firearm in a safe direction and break the action by depressing the Barrel Catch. Breaking the action gradually protrudes the Extractor found in the Cylinder Assembly until the Barrel is at full travel. At this point the Extractor will spring back into the Cylinder Assembly. With the Cylinder Assembly exposed, remove all empty cases and live rounds. If the Hammer is cocked, pull back the Hammer Assembly (Part 4 on Parts Diagram), keeping it held back while pulling the trigger. Keeping the pressure, slowly release the Hammer Assembly forward until it is rested, then release the Trigger. Close the action whilst depressing the Barrel Catch. Release the Barrel Catch once the action is fully closed. Engage the Safety Catch. The firearm is now in a safe state.

When breaking the action, empty cases will be automatically ejected, unfired rounds may not.

FIRING THE MKIV



Double Action



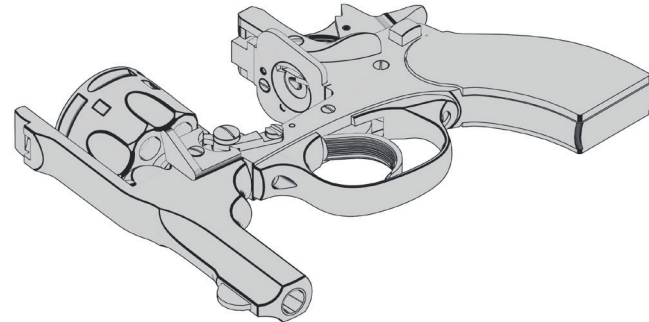
Single Action

To fire the Mk4 Revolver, make sure it is loaded and the surrounding area is appropriate for firing. Firmly grasp the grip and take aim on the intended target. Turn off the Safety catch. Pull the trigger slowly and firmly whilst taking aim on the intended target. Once the trigger has been pulled back all the way the Revolver will fire.

The Mk4 Revolver can be fired in either Single Action or Double Action. Pulling the Hammer Assembly (Part 4 on Parts Diagram) will engage the Single Action. This will provide the user with a much lighter trigger pull.

The Safety Catch will not engage when the Hammer Assembly is cocked.

MAINTENANCE AND STORAGE



Proper maintenance and care of any firearm is important to guarantee reliability and longevity. The firearm should be cleaned after the user has finished firing. Before cleaning, always ensure the firearm is safe. Do this by unloading and making safe as explained previously.

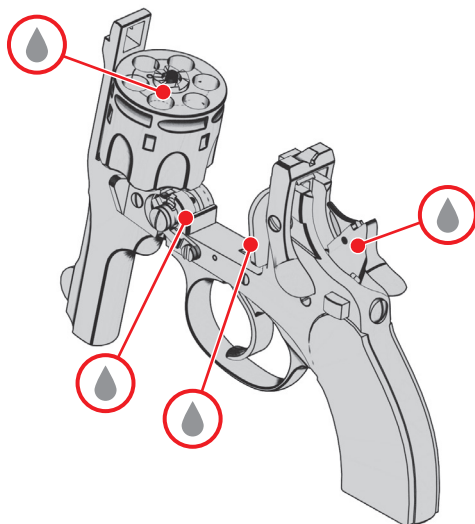
With the firearm in a safe state, break the action to expose the Cylinder Assembly. Using the cleaning rod provided, clean each cylinder, making sure that any carbon build up has been removed. Repeat the process for the barrel.

Wipe off any dirt or moisture on the firearm. For long term storage, apply a coat of oil to all exposed metal parts. Place in a safe, dry location.



MKIV

WARRANTY



After Cleaning the firearm, always be sure to add a small amount of oil to the working parts marked above. This will ensure smooth operation and longer service life.

Sial Mfs. Pvt. Ltd., will repair any defects found in material or workmanship within one year of original purchase. The customer is required to deliver the product to the factory for rectification.

The warranty only covers failure due to defects in material which occurs during normal use. It will not cover damage which results from accident, misuse, abuse, neglect, mishandling, alteration or modification of the product.

It will also not cover damage to the product due to use of handloaded or defective ammunition. Only genuine branded ammunition is to be used. Decision of the Managing Director, Sial Mfs. Pvt. Ltd. will be final and binding in this regard.

SERIAL NO: _____

DATE OF PURCHASE: _____

PURCHASER'S NAME: _____

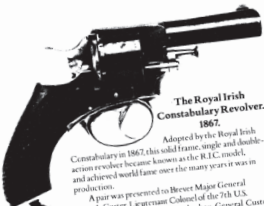
ADDRESS: _____

LICENSE NUMBER: _____

AUTHORISED SIGNATORY
AND STAMP OF S.M.P.L

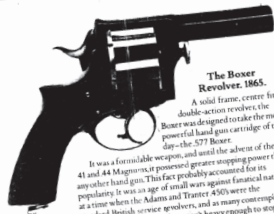


SOME OF THE GUNS THAT MADE WEBLEY WORLD FAMOUS.



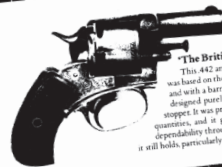
The Royal Irish Constabulary Revolver. 1867.

Adopted by the Royal Irish Constabulary in 1867 this solid frame, single and double-action revolver became known as the R.I.C. model, and achieved world fame over the many years it was in production. A pair was presented to Major General George A. Carter, Lieutenant Colonel of the 7th U.S. Cavalry, by Lord Bective in 1869, and when General Carter died at the Battle of the Little Bighorn fighting American Indians in 1876, his Webley revolvers were at his side.



The Boxer Revolver. 1865.

A solid frame, centre fire, double-action revolver, the Boxer was designed to take the most powerful hand gun cartridge of the day - the .577 Boaxer. It was a formidable weapon, and until the advent of the .41 and .44 Magnum, it possessed greater stopping power than any other hand gun. This fact probably accounted for its popularity in an age of small wars against financial natives, at a time when the Adams and Trotter .450s were the standard British service revolvers, and as many contemporary accounts noted, they simply weren't heavy enough to stop 'charging' us!



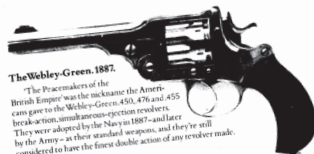
The British Bulldog, 1878.

This .442 and .450 calibre revolver was based on the famous R.I.C. model, and with a barrel only 2 1/2" long was designed purely as a short-range man stopper. It was produced in large quantities, and it gained a reputation for dependability throughout the world which it still holds, particularly in South America.



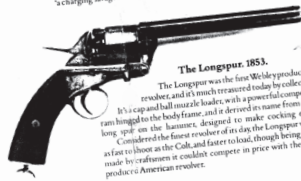
The Webley .32 Automatic Pistol. 1909.

Perhaps owing to newspaper articles in 1899 which asserted that British revolvers were going to be replaced in popularity by foreign-made automatic pistols, Thomas Webley hastened the development of a fine range of British-made self-loaders. The .32 shown above became the official weapon of the Metropolitan Police, after proving its worth in the Sidney Street Siege in 1911, and was also adopted by many overseas police forces. It's of a unique recoil-operated design, simple and strongly constructed, and although small, it's highly accurate.



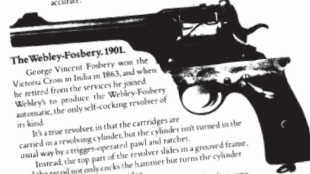
The Webley-Green, 1887.

The Peacemakers of the British Empire was the nickname the American Navy gave to the Webley-Green .450, .38 and .455 calibre guns. It was a simple, rugged, break-action, single and double-action revolver. They were adopted by the Navy in 1887 and later by the Army - as their standard weapons, and they're still considered to have the finest double action of any revolver made.



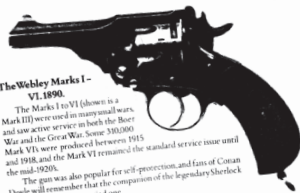
The Longspur, 1853.

The Longspur was the first Webley production revolver, and it's much revered today by collectors. It's a cap and ball muzzle loader, with a powerful compound ramming to the body frame, and it derives its name from the long 'spit' on the hammer, designed to make cocking easier. Compared to the finest revolver of its day the Longspur was as fast to shoot as the Colt, and faster to load, though being hand-made by craftsmen it couldn't compete in price with the mass-produced American revolver.



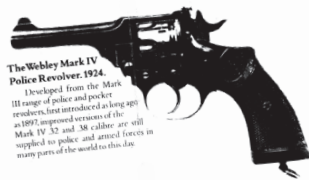
The Webley-Fosbery, 1901.

George Vincent Fosbery was the Victoria Cross in India in 1863, and when he retired from the services he joined Webley to produce the Webley-Fosbery automatic, the only self-cocking revolver of its kind. It's a true revolver in that the cartridges are carried in a revolving cylinder, but the cylinder isn't turned in the usual way by a trigger-operated pistol and trigger. Instead, the top part of the revolver slides in a grooved frame, and the recoil not only cocks the hammer but turns the cylinder as well, presenting a fresh cartridge. The Webley-Fosbery is as fast as any clip-loading automatic made, and if the Webley or Fodkins clip loader roused, as fast to load.



The Webley Marks I-VI, 1890.

The Marks I to VI (shown in a Mark III) were used in many small wars, and saw active service in both the Boer War and the Great War. Some 300,000 Mark VIs were produced between 1915 and 1918, and the Mark VI remained the standard service issue until the mid-1920s. The gun was also popular for self-protection, and fans of Conan Doyle will remember that the companion of the legendary Sherlock Holmes, Dr. Watson, carried one.



The Webley Mark IV Police Revolver, 1924.

Developed from the Mark III range of police and pocket revolvers, first introduced as a long ago as 1897, improved versions of the Mark IV .32 and .38 calibre are still supplied to police and armed forces in many parts of the world to this day.

Webley

MKIV REVOLVER OWNER'S MANUAL



E: sales@webleyscott.in
www.webleyscott.in

Facebook - www.facebook.com/webleyindia/
Instagram - www.instagram.com/webleyindia/

