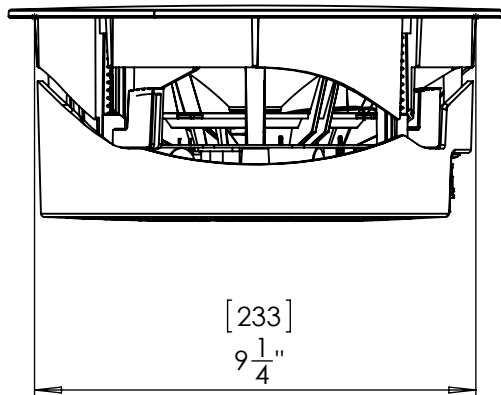
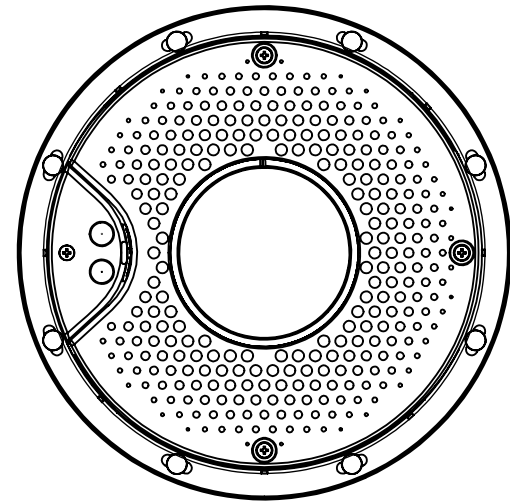
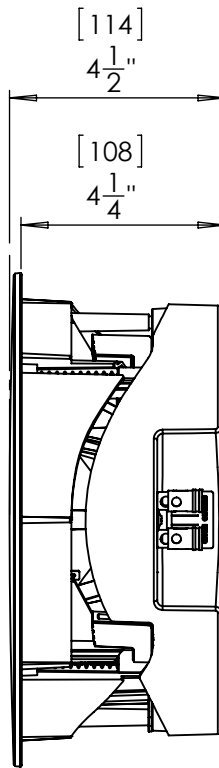
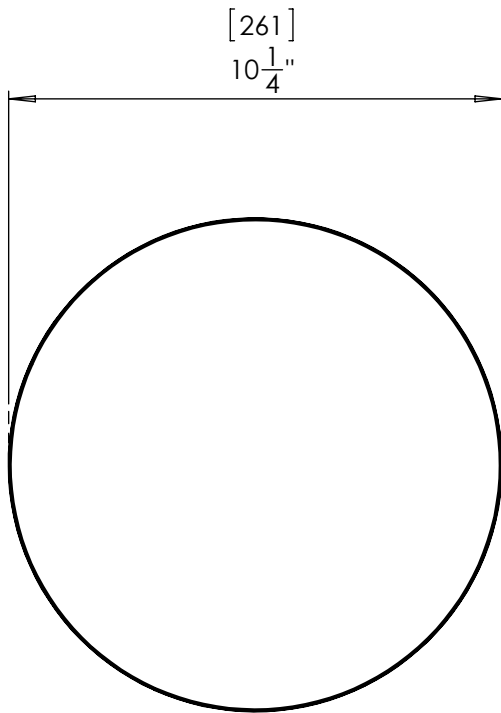


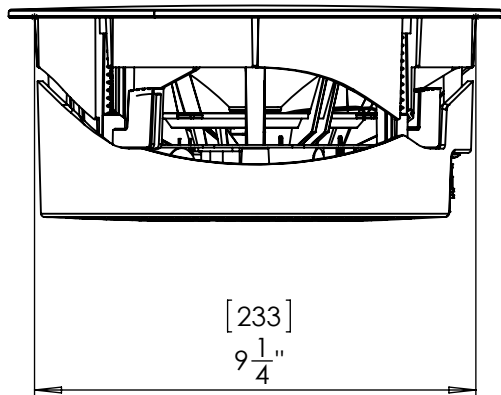
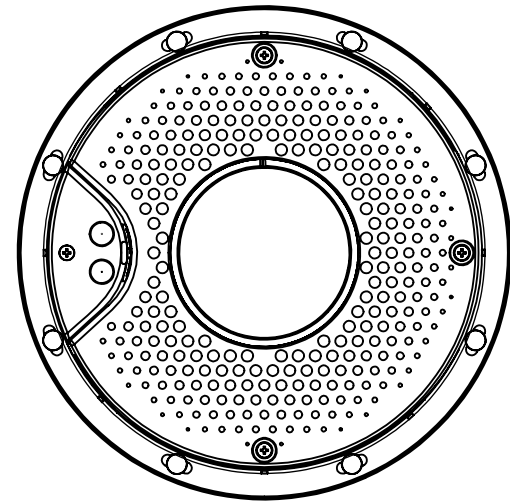
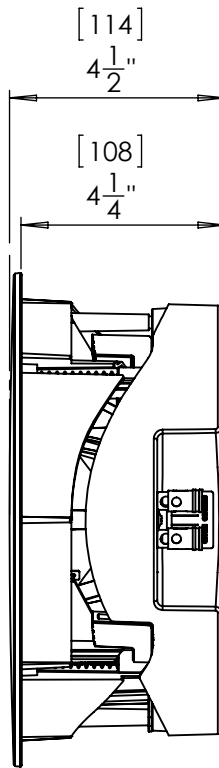
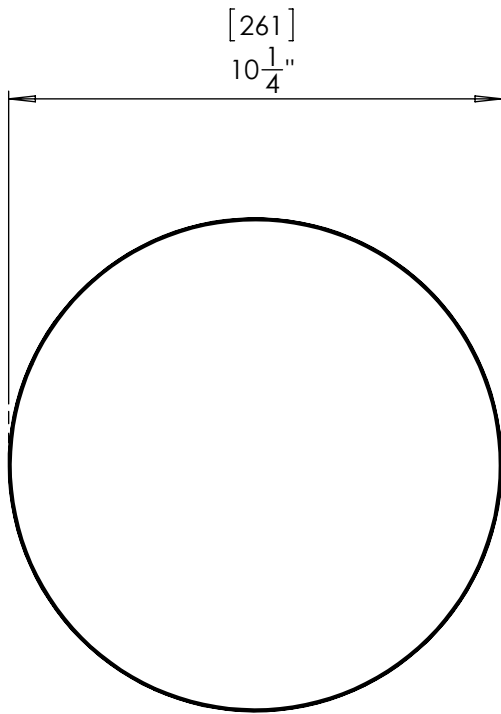
CUTOUT SIZE: 7-3/4" [197mm]

CI PRO P65-R
PARADIGM ELECTRONICS INC.



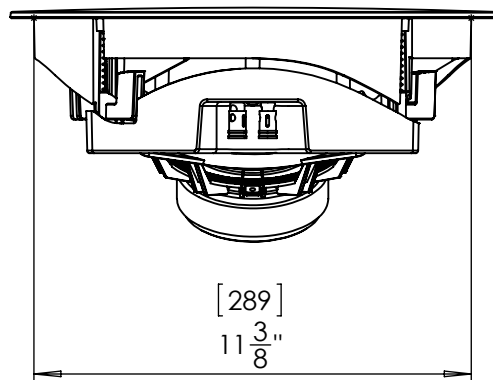
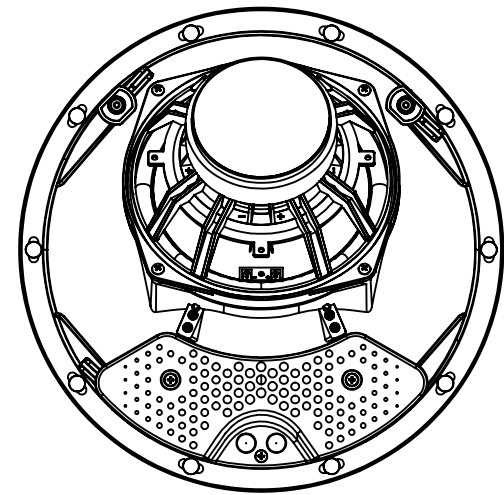
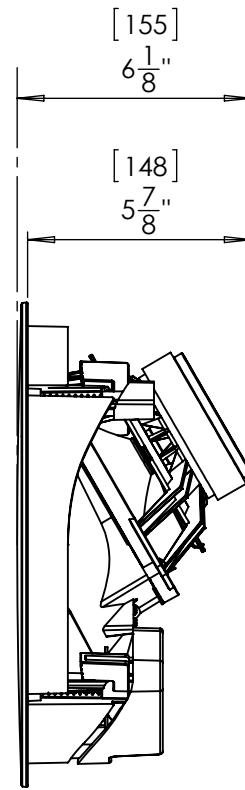
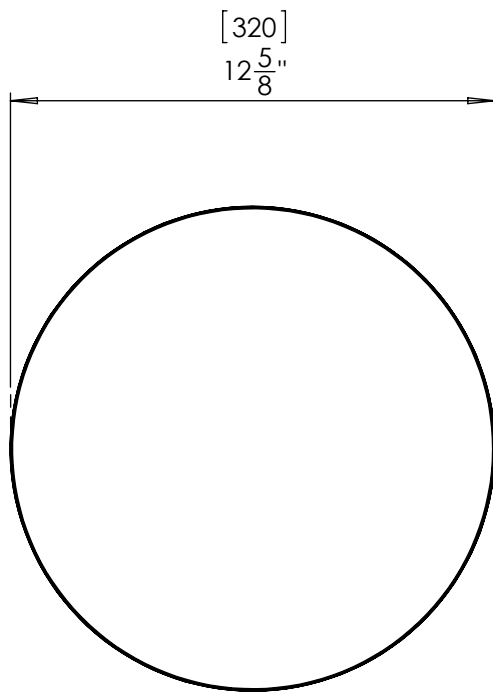
CUTOUT SIZE: 9-3/16" [234mm]

CI PRO P80-R
PARADIGM ELECTRONICS INC.



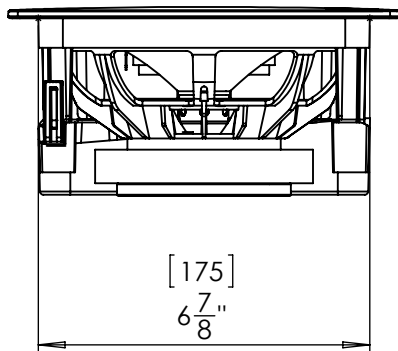
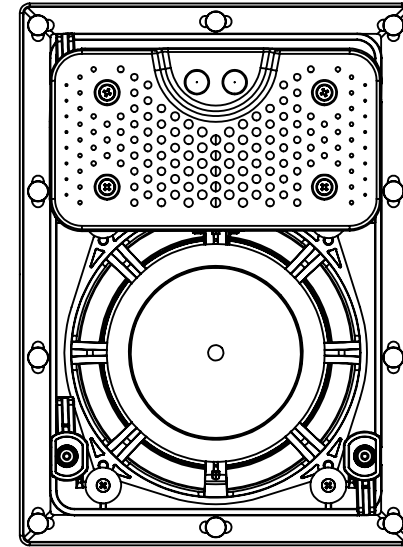
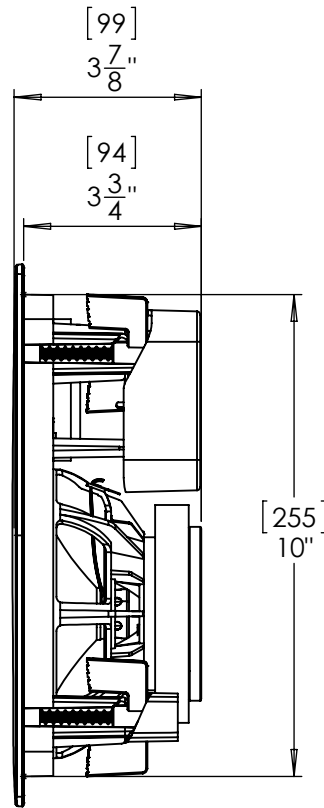
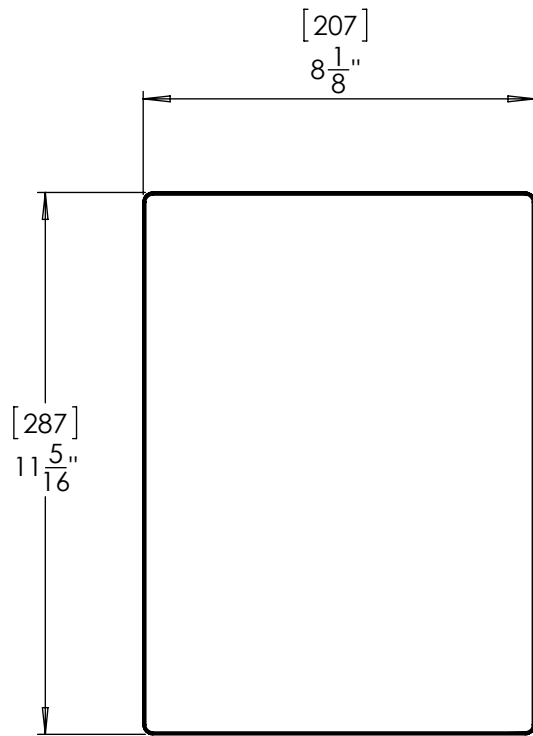
CUTOUT SIZE: 9-3/16" [234mm]

CI PRO P80-SM
PARADIGM ELECTRONICS INC.



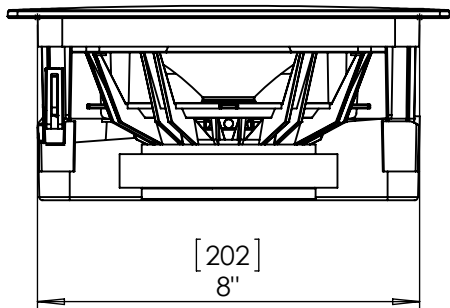
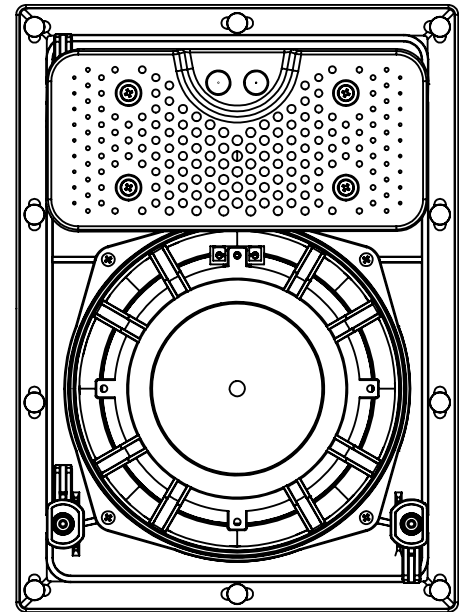
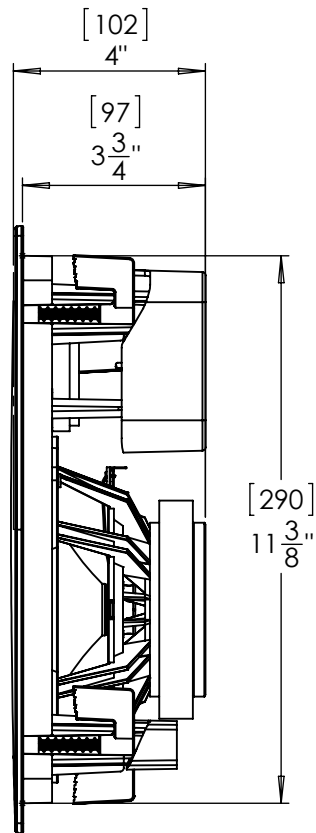
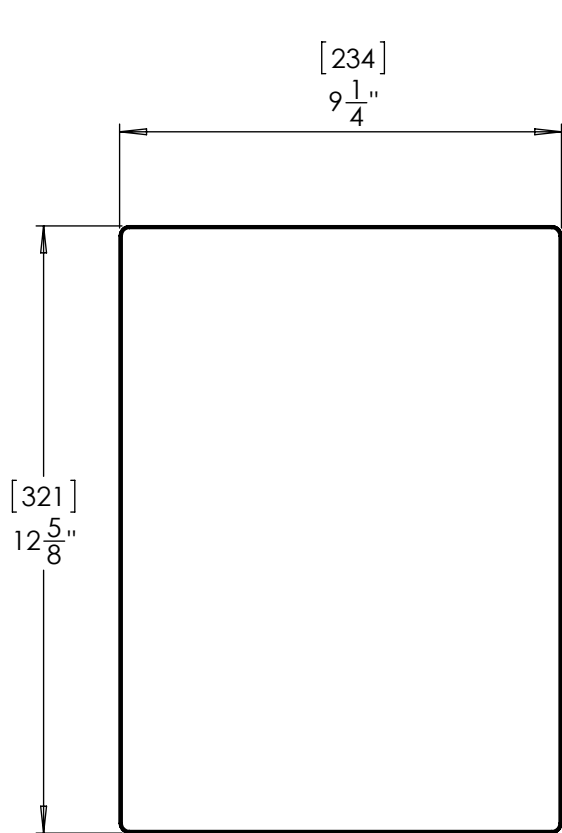
CUTOUT SIZE: 11-7/16" [291mm]

CI PRO P80-A
PARADIGM ELECTRONICS INC.



CUTOUT SIZE: 10-3/16" [258mm] H X 7" [178mm] W

CI PRO P65-IW
PARADIGM ELECTRONICS INC.



CUTOUT SIZE: 11-9/16" [293mm] H X 8-1/16" [205mm] W

CI PRO P80-IW

PARADIGM ELECTRONICS INC.