

7-078 Compression Latch Pr20.1 L22/32 Stainless Steel



Advantages

- Compression 6mm.
- Flat head shape.
- The coloured marking on the casing top indicates the opened/closed position in form of a padlock. Insert with coloured marking.
- Vibration-proof.
- IP65/67 according to DIN EN 60529.
- IP69K according to DIN 40050.
- RH and LH version.
- Grounding by single-sided grounding nut.
- The H-dimension can be varied via the cranking of the cams.

Materials

- **Housings, insert, axle and grounding nut:** AISI 316
- **Serrated screw:** AISI 304
- **O-ring:** NBR, black

Remarks

(S) Door-thickness max. 12mm for GL22
(S) Door-thickness max. 22mm for GL32
Please configure the quarter-turn with a cam.
Negatively bent cams can not be installed pre-assembled.

1. compression 6mm
2. single-sided grounding nut
3. flat external seal
4. GL 32mm with foamed sealing PUR



Compression Latch with insert, version RH, closing left

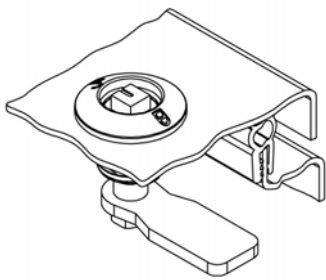
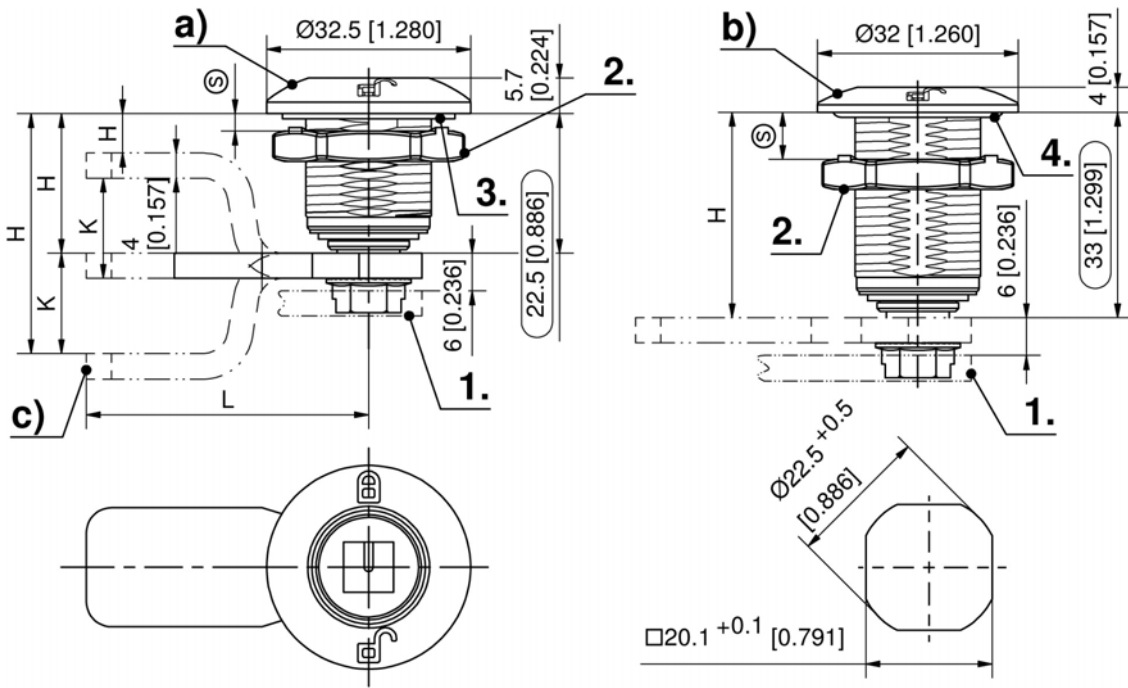
	Part Number	Insert	Housing length	Door-thickness (S)	Installation type	Delivery Unit
a)	248-9043.00-03008	Square 8mm	22 mm	max. 12 mm	screw-on	1 pc.
a)	248-9043.00-06008	Triangular 8mm	22 mm	max. 12 mm	screw-on	1 pc.
a)	248-9043.00-09003	Double bit 3mm pin	22 mm	max. 12 mm	screw-on	1 pc.
a)	248-9043.00-07007	Conical square 9mm	22 mm	max. 12 mm	screw-on	1 pc.
b)	248-9100.00-00000	Square 6mm	32 mm	max. 22 mm	screw-on	1 pc.
b)	248-9101.00-00000	Square 7mm	32 mm	max. 22 mm	screw-on	1 pc.
b)	248-9102.00-00000	Square 8mm	32 mm	max. 22 mm	screw-on	1 pc.
b)	248-9103.00-00000	Double bit 3mm pin	32 mm	max. 22 mm	screw-on	1 pc.
b)	248-9104.00-00000	Double bit 5mm pin	32 mm	max. 22 mm	screw-on	1 pc.
b)	248-9105.00-00000	Triangular 6.5mm	32 mm	max. 22 mm	screw-on	1 pc.
b)	248-9106.00-00000	Triangular 7mm	32 mm	max. 22 mm	screw-on	1 pc.
b)	248-9107.00-00000	Triangular 8mm	32 mm	max. 22 mm	screw-on	1 pc.
b)	248-9108.00-00000	Conical square 9mm	32 mm	max. 22 mm	screw-on	1 pc.
b)	248-9109.00-00000	Hex. SW 11	32 mm	max. 22 mm	screw-on	1 pc.
b)	248-9110.00-00000	Conial triangular pointed, 7mm	32 mm	max. 22 mm	screw-on	1 pc.

Compression Latch with insert, version LH, closing right

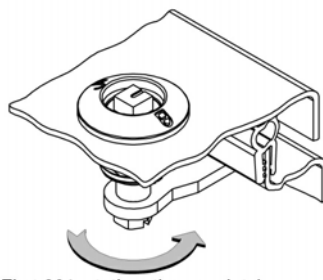
	Part Number	Insert	Housing length	Door-thickness (S)	Installation type	Delivery Unit
a)	248-9042.00-03008	Square 8mm	22 mm	max. 12 mm	screw-on	1 pc.
a)	248-9042.00-06008	Triangular 8mm	22 mm	max. 12 mm	screw-on	1 pc.
a)	248-9042.00-09003	Double bit 3mm pin	22 mm	max. 12 mm	screw-on	1 pc.
a)	248-9042.00-07007	Conical square 9mm	22 mm	max. 12 mm	screw-on	1 pc.
b)	248-9150.00-00000	Square 6mm	32 mm	max. 22 mm	screw-on	1 pc.
b)	248-9151.00-00000	Square 7mm	32 mm	max. 22 mm	screw-on	1 pc.
b)	248-9152.00-00000	Square 8mm	32 mm	max. 22 mm	screw-on	1 pc.
b)	248-9153.00-00000	Double bit 3mm pin	32 mm	max. 22 mm	screw-on	1 pc.
b)	248-9154.00-00000	Double bit 5mm pin	32 mm	max. 22 mm	screw-on	1 pc.
b)	248-9155.00-00000	Triangular 6.5mm	32 mm	max. 22 mm	screw-on	1 pc.
b)	248-9156.00-00000	Triangular 7mm	32 mm	max. 22 mm	screw-on	1 pc.
b)	248-9157.00-00000	Triangular 8mm	32 mm	max. 22 mm	screw-on	1 pc.
b)	248-9158.00-00000	Conical square 9mm	32 mm	max. 22 mm	screw-on	1 pc.
b)	248-9159.00-00000	Hex. SW 11	32 mm	max. 22 mm	screw-on	1 pc.
b)	248-9160.00-00000	Conical triangular pointed, 7mm	32 mm	max. 22 mm	screw-on	1 pc.

* Accessories

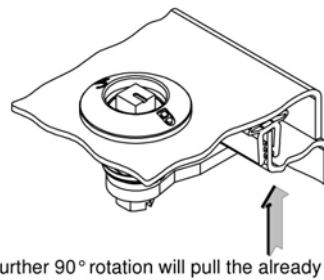
- c) 7-105.01 **Cams L35/45 Stainless Steel**
- 6-100 **Wrenches and Keys**
- 6-101 **Universal key**
- 6-105 **Keys for the Railway Sector**
- 200-4103.00-00000 **Dust cap**
- 200-4601.00-00000 **Anti-rotation device**
- 200-4601.02-00000 **Anti-rotation device**



open, unlatched position



First 90° rotation: the cam latches behind the frame into the locked position. The door cannot be opened.



A further 90° rotation will pull the already latched cam towards the frame: the seal is compressed, the door is latched and free of play.