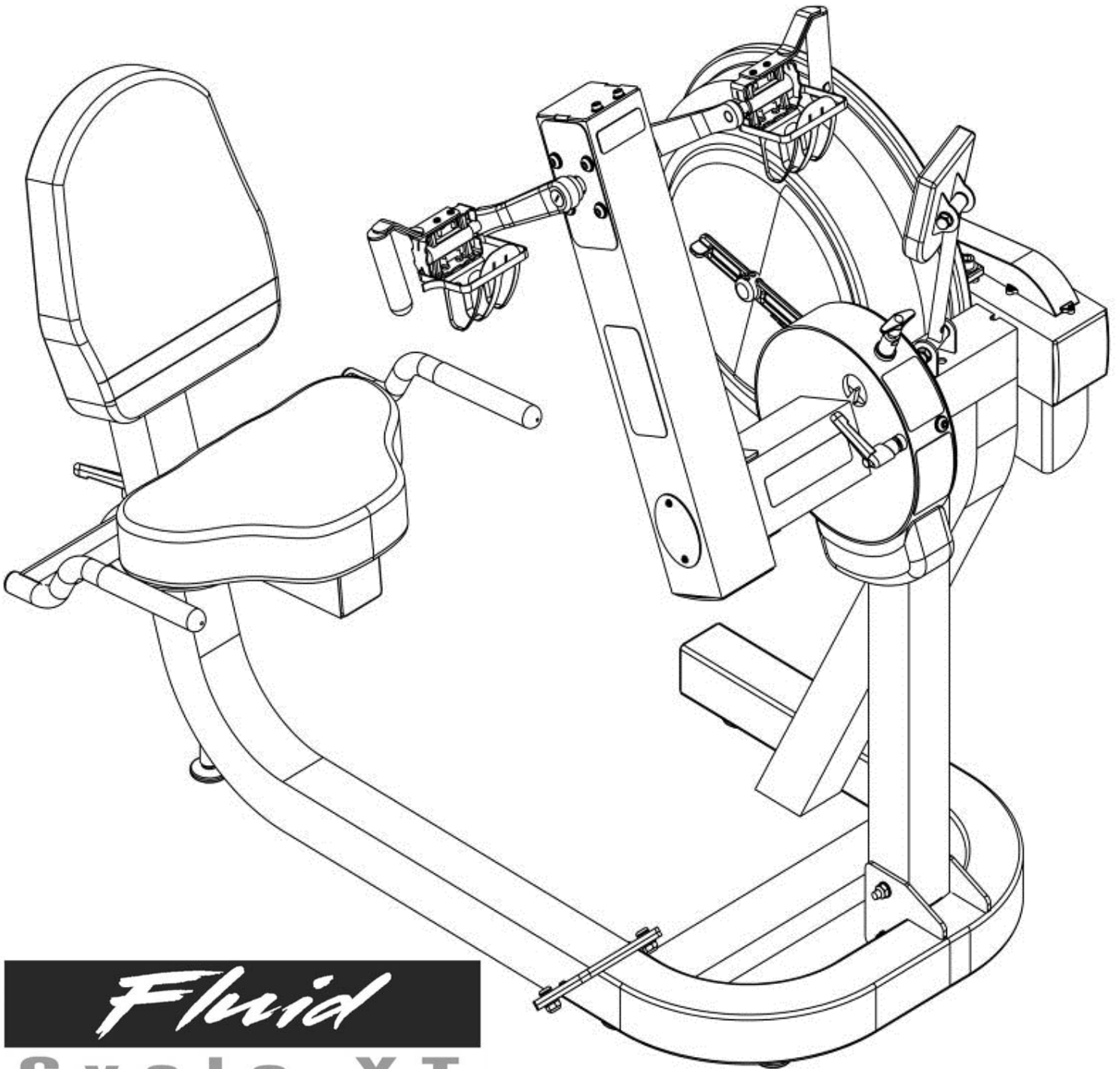


Owners Manual



Fluid

Cycle XT

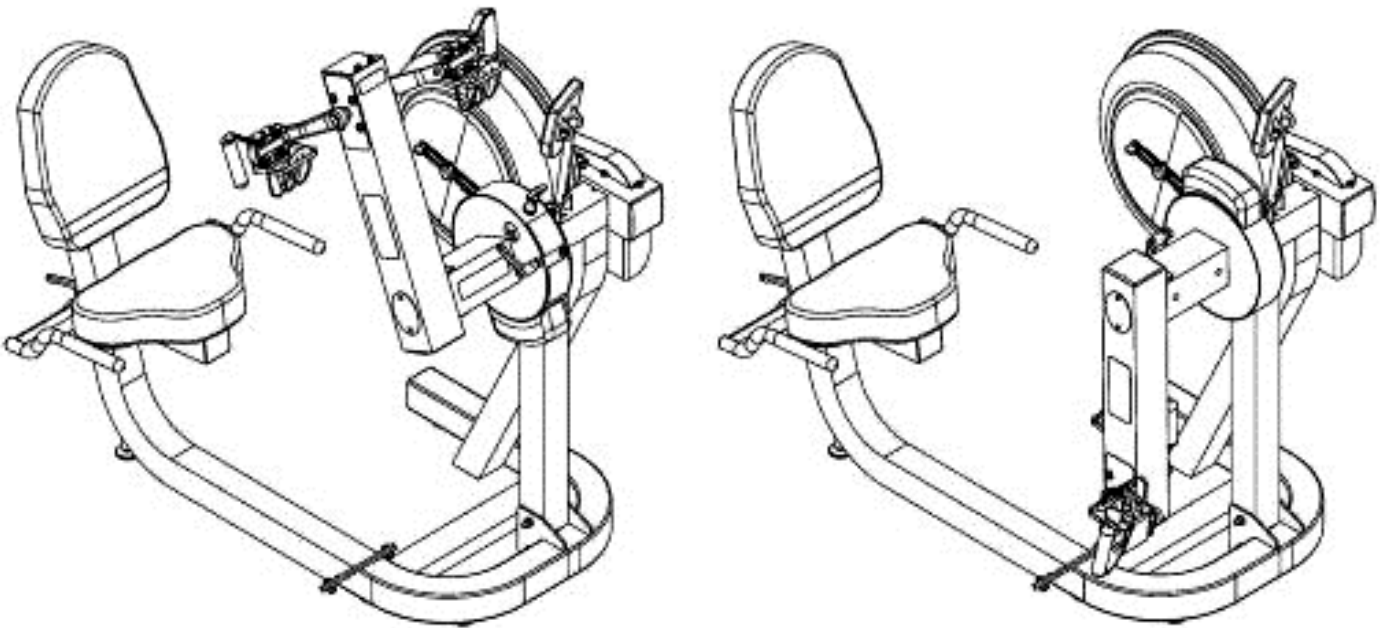
XT-E720



FIRST DEGREE FITNESS
FLUID INNOVATION

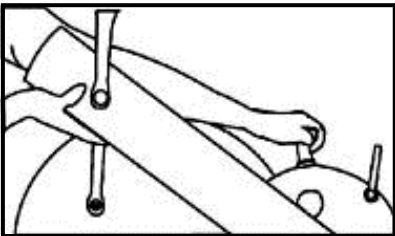
www.firstdegreefitness.com

Training with E720



As with any piece of fitness equipment, consult a physician before beginning your E720 exercise program.

CAUTION



Use two hands and follow all safety instructions whenever raising or lowering the E720 control arm.

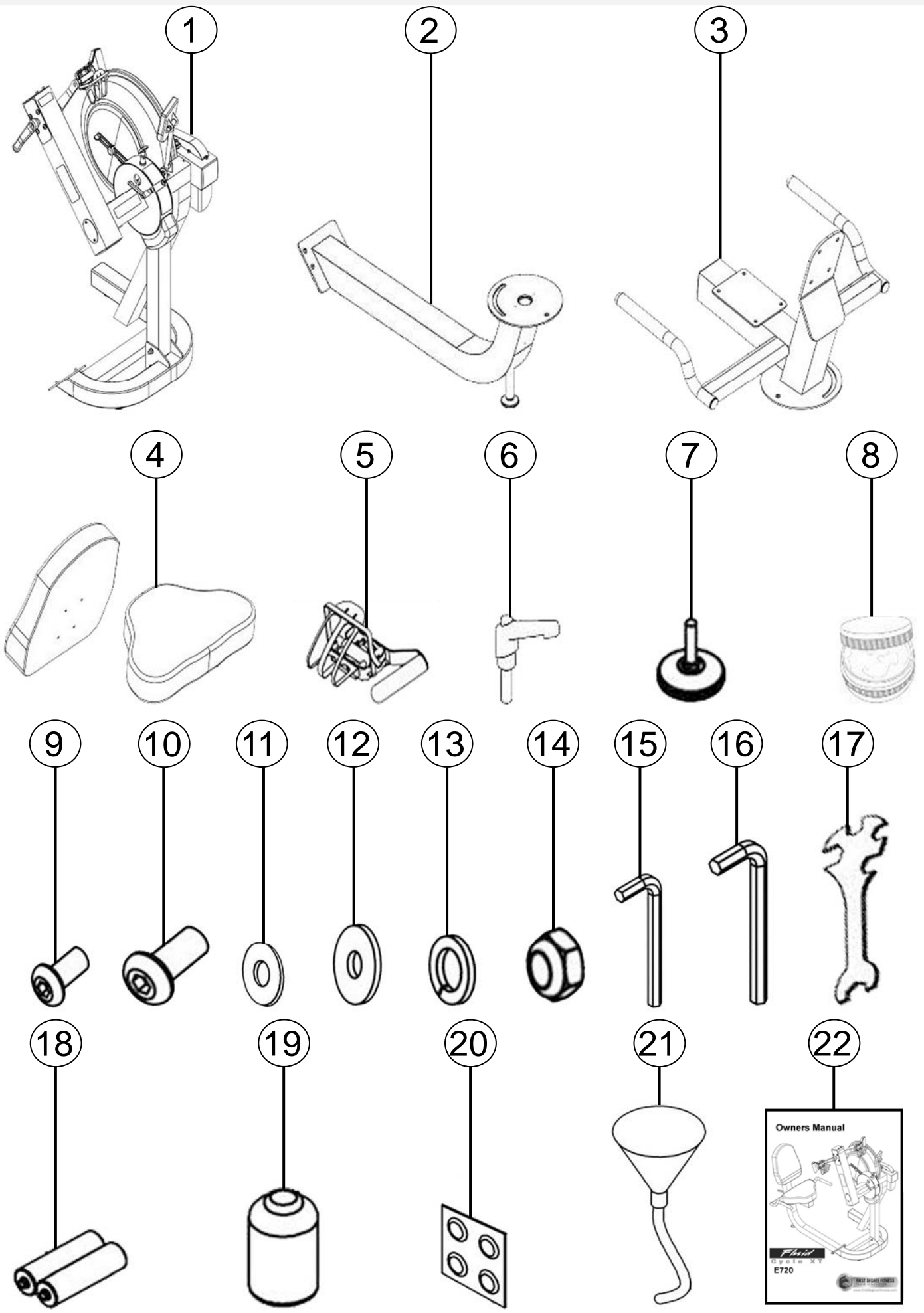
Warning

Do not remove feet or hands while crank is in motion. The crank will continue to rotate and could cause injury.

Contents

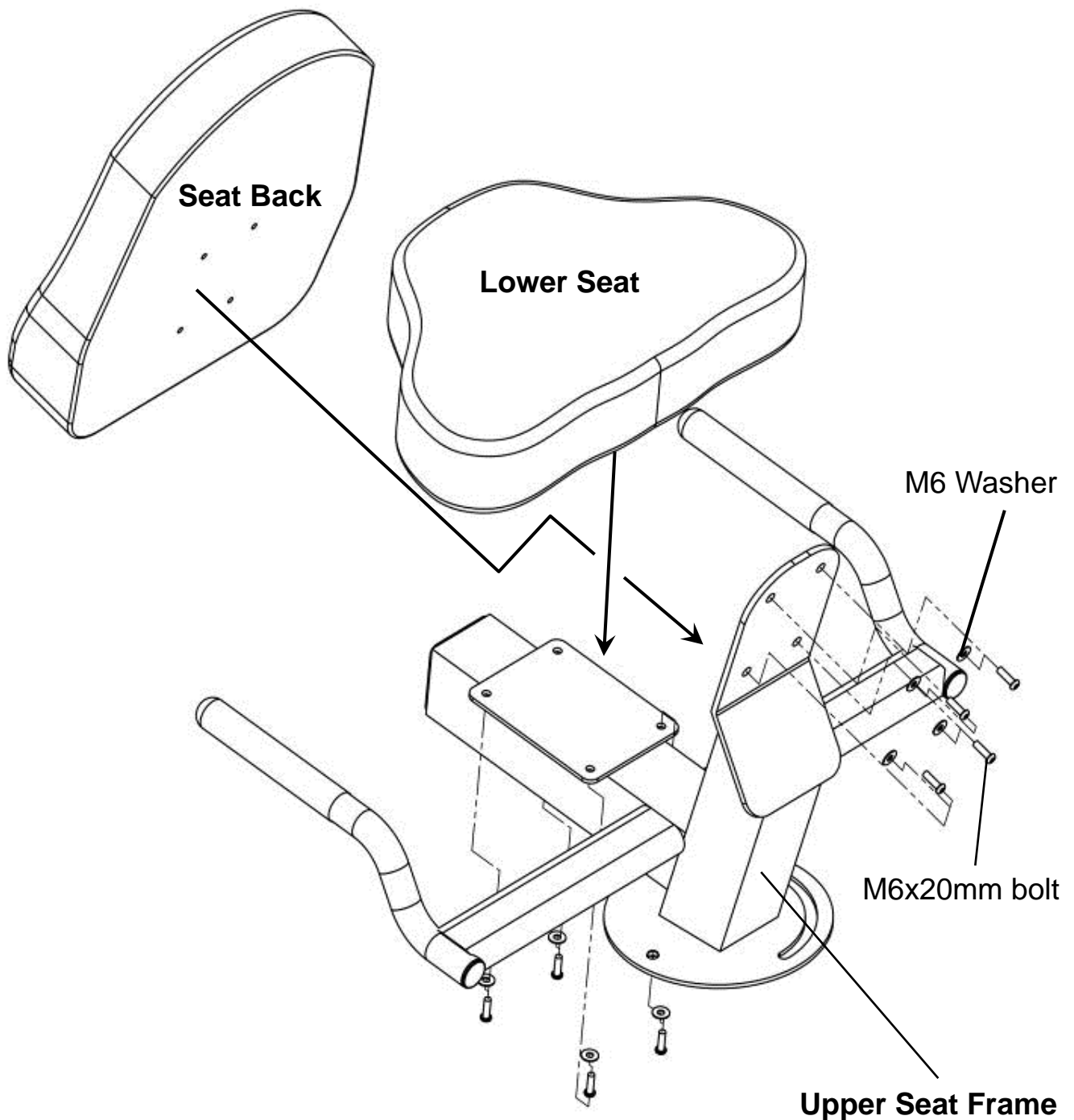
Box Contents	5
Assembly Seat Back and Lower Seat	6
Assembly Mainframe and Lower Seat Frame	7
Assembly Upper Seat Frame and Lower Seat Frame	8
Assembly Right Crank Pedal	9
Control Arm	10
Tank Filling and Water Treatment	11
Long Term Water Treatment and Basic Operation	12
Rower Ergometer	13
Using the First Degree Fitness USB Interface	14
Maintenance chart	15
Troubleshooting	16
Tank Belt Adjustment	17
Warranty	18

Box Contents



Item	Qty	Description	Item	Qty	Description
1	1	Mainframe	12	10	M10 Washer
2	1	Lower Seat Frame	13	1	M10 Plastic Washer
3	1	Upper Seat Frame	14	5	Nylock Nut
4	2	Seat Back/Lower Seat	15	1	4mm Allen Key
5	1	Right Crank Pedal	16	1	6mm Allen Key
6	1	L-pin	17	1	Multi-tool
7	3	Leveler	18	2	AA Batteries
8	1	Seat Frame lubricating grease	19	1	Touch up paint
9	8	M6x20mm bolt	20	4	Water Treatment Tablet
10	5	M10x25mm bolt	21	1	Funnel and Hose
11	8	M6 Washer	22	1	Owners Manual

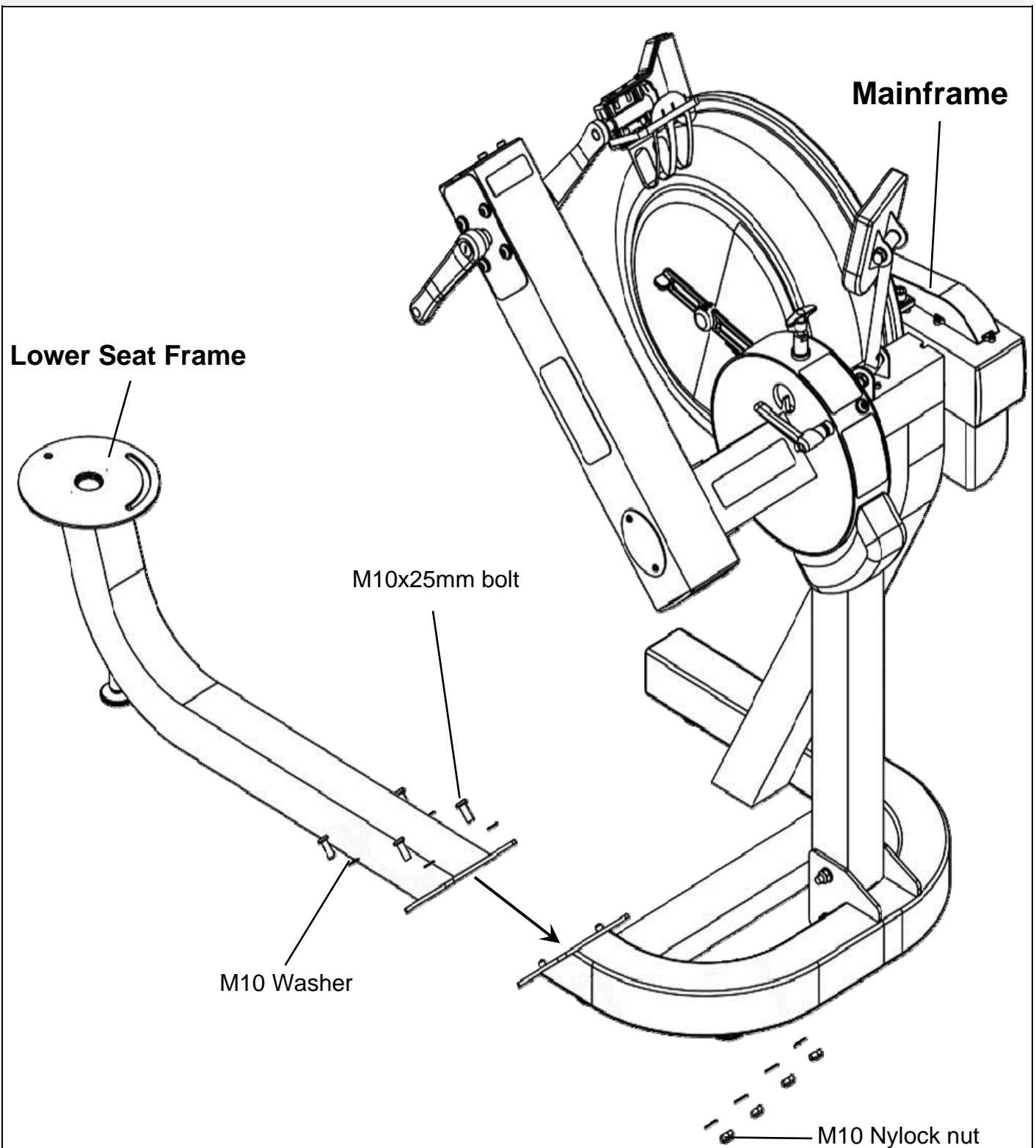
Assembly Seat Back and Lower Seat



Seat Back to Upper Seat Frame using 4x M6x20mm bolts[9] and 4x M6 washers[11].

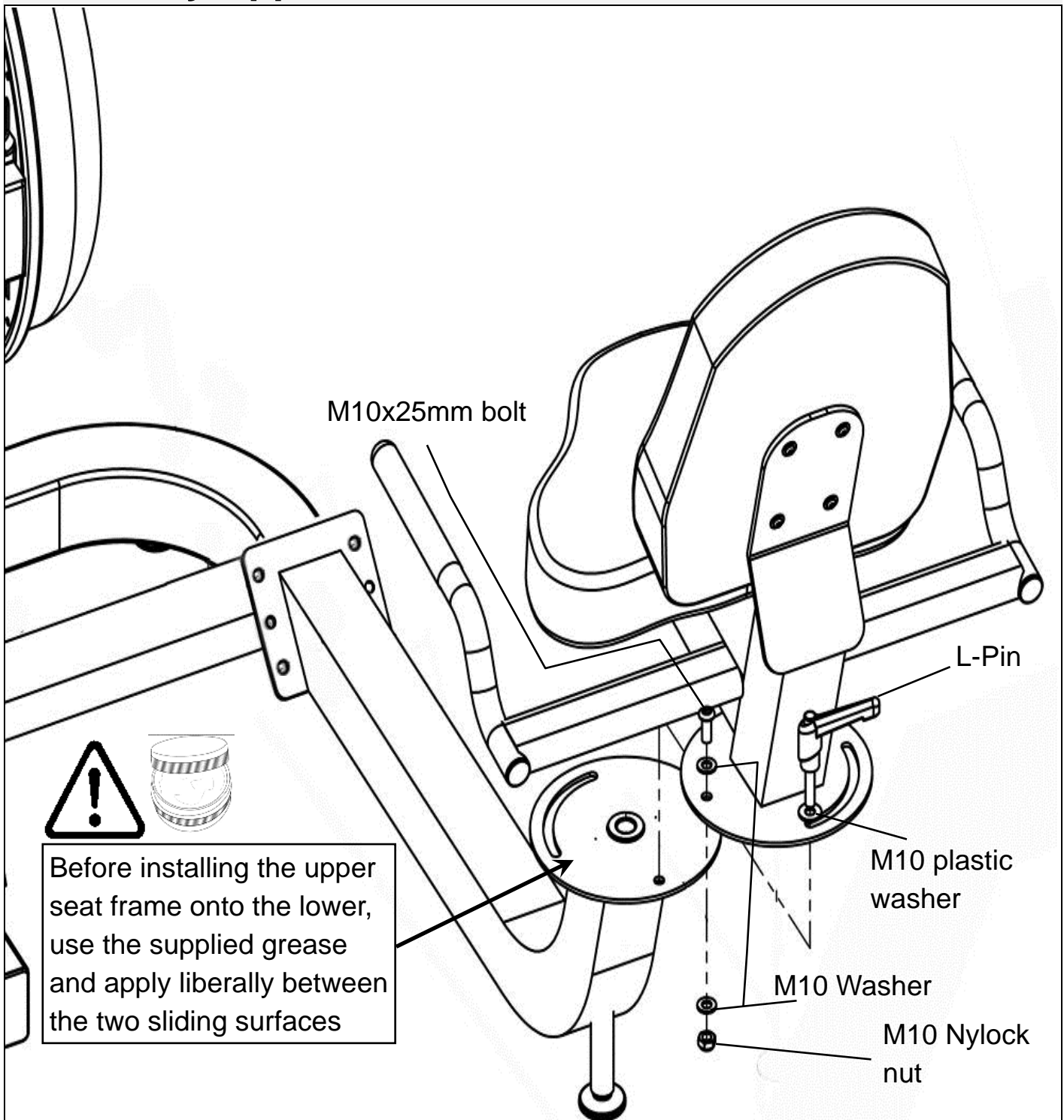
Lower Seat to Upper seat frame using 4x M6x20mm bolts[9] and 4x M6 washers[11].

Assembly Mainframe and Lower Seat Frame



Attach **Lower Seat Frame[2]** to **Mainframe[1]** using **4x M10x25mm bolts[10]**, **4x M10 Nylock nuts[14]** and **8x M10 Washers[12]**

Assembly Upper Seat Frame and Lower Seat Frame



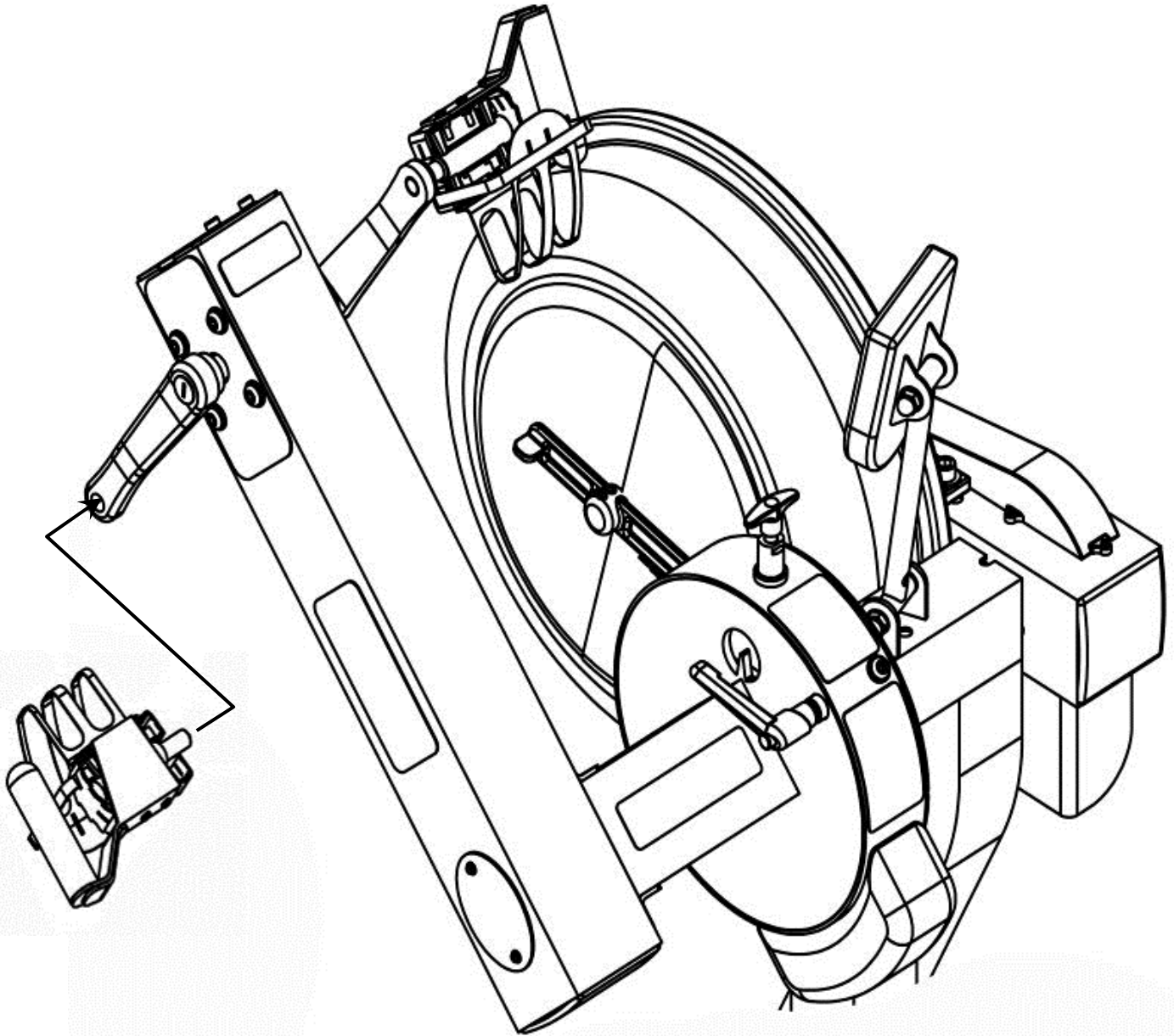
Upper Seat Frame onto **Mainframe** and secure using **1x M10x25mm bolt**[10], **1x M10 Nylock nut**[14], **2xM10 Washers**[12], **M10 Plastic Washer** and **L-pin**[6].

Note: Tighten the M10x25mm bolt, washers and Nylock until lightly snug only. Over-tightening will prevent the seat from rotating. Use the L-pin to tighten the upper seat frame once rotated into place.

Assembly Right Crank Pedal

Note: Allow 15 minutes for the thread-locker to activate before first time use.

Check pedal tightness on a regular basis and tighten as needed with a 15mm wrench.



Secure **Right Crank Pedal[5]** onto Crank arm. The pedal threads have a blue coating which will feel very tight when threaded onto the crank arm. This is a type of thread locker, and once in contact with the crank arm threads will activate in approximately 15minutes.

Caution! Extreme over-tightening could damage the aluminum threads on the crank arm.

Control Arm

Chain tensioning bolts: Allows for tightening the chain or adjustment from side to side. Make sure when tightening only to adjust the same amount for both bolts, otherwise the sprocket will be misaligned.

Note: Tightening the right bolt only will pull the right side of the crank assembly toward you, tightening the left will pull the left side toward you. Use this feature to realign the rear with the front sprocket if needed or when changing to a new chain.

Crank arm bolts: Loosen all 8 bolts slightly before adjusting/tightening chain.

T-pin: The T-pin locks the control arm in any one of 72 different positions throughout its 360 degree range of motion. Pull up the T-pin to allow the control arm to rotate while supporting the control arm with the other hand.

The E720 Pedal: This patented design allows for usage in both the recumbent position and for sitting/standing upper body workouts.

Inspection plate: Open to check chain tension.



Warning: Do not check chain tension by hand!

L-pin: Loosen when rotating the control arm and tighten (snug only) once the desired position has been reached.

Tank Filling and Water Treatment

Note: A large bucket is required for filling (Not included).

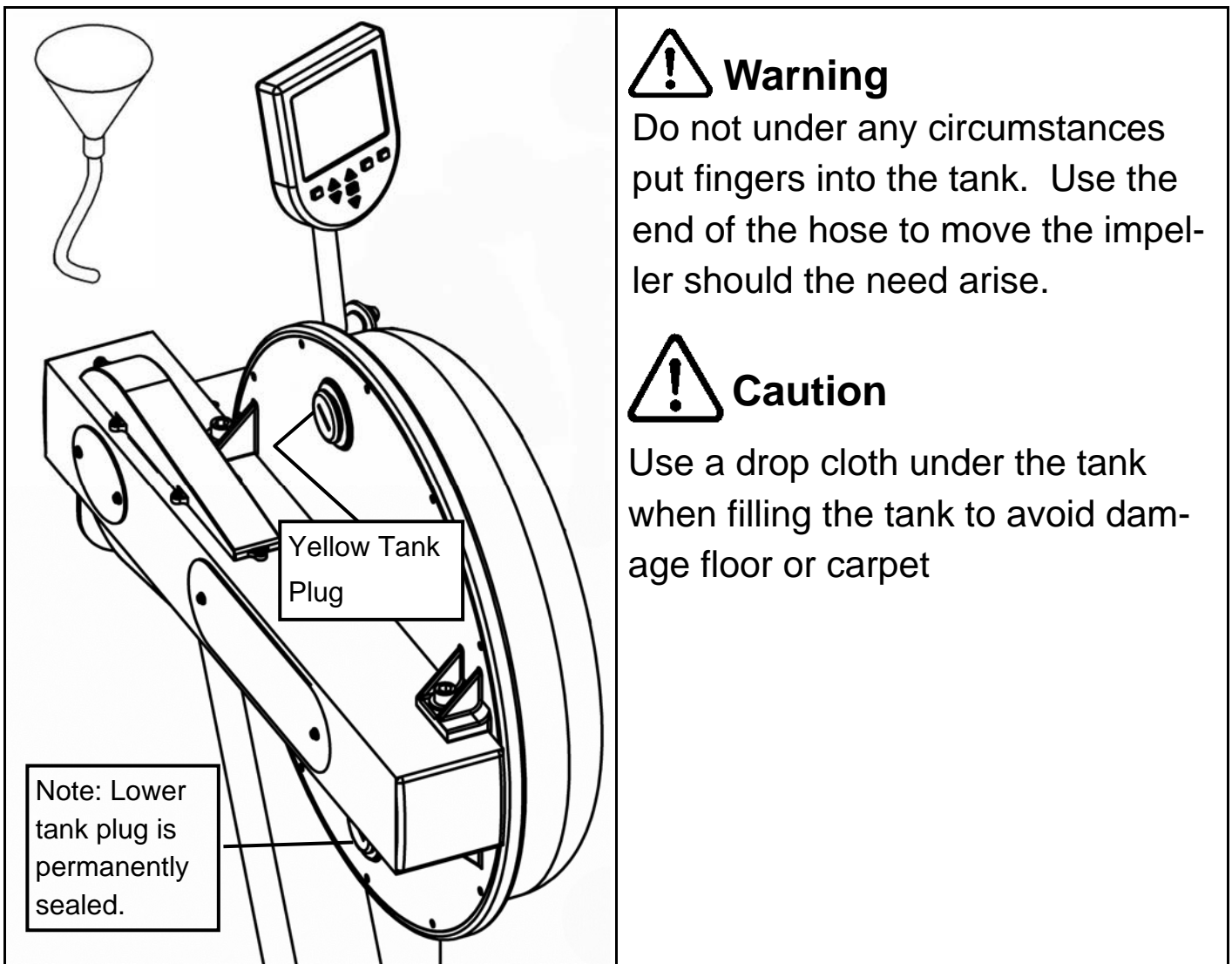
In areas where tap water quality is known to be poor, FDF recommends the use of distilled water.

Open the tank plug and insert hose into tank (rotating the impeller slightly may be necessary to allow the hose to pass), move the tank adjuster handle to level 20 and begin filling. Do not fill the tank higher than the level indicator on the front of the clear shell. A properly filled tank holds approximately 8 liters of water.

Water Treatment Procedures:

Add Chlorine tablet

Note: The amount of water treatment can vary widely depending on the Rower's location and exposure to sunlight. DO NOT, UNDER ANY CIRCUMSTANCES USE ANY TREATMENT TABLETS OTHER THAN THOSE SUPPLIED WITH YOUR ROWER. Your rower box contents include 4x water treatment tablets, which is sufficient for several years of water treatment. Treat when water becomes discolored or shows signs of Algae/Bacterial growth. To purchase additional chlorine tabs, please consult your nearest regional dealer/distributor or check our website at www.firstdegreefitness.com



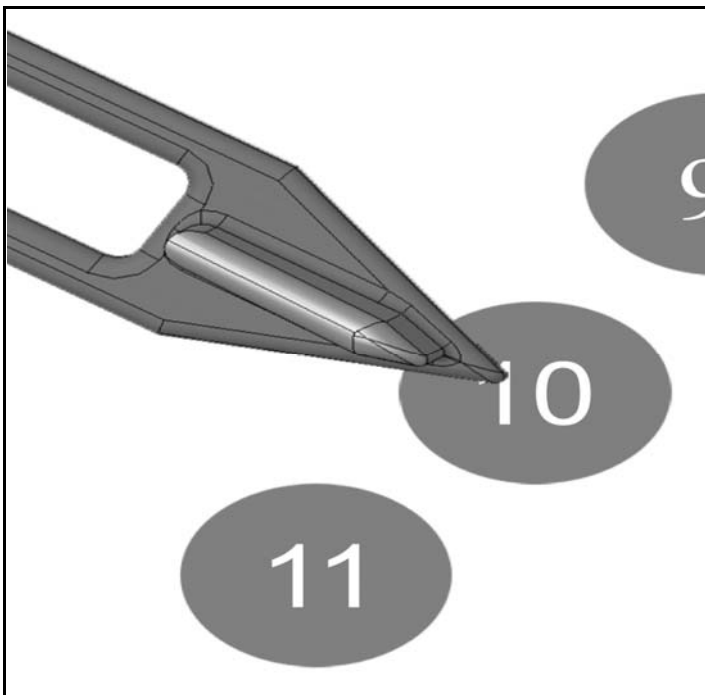
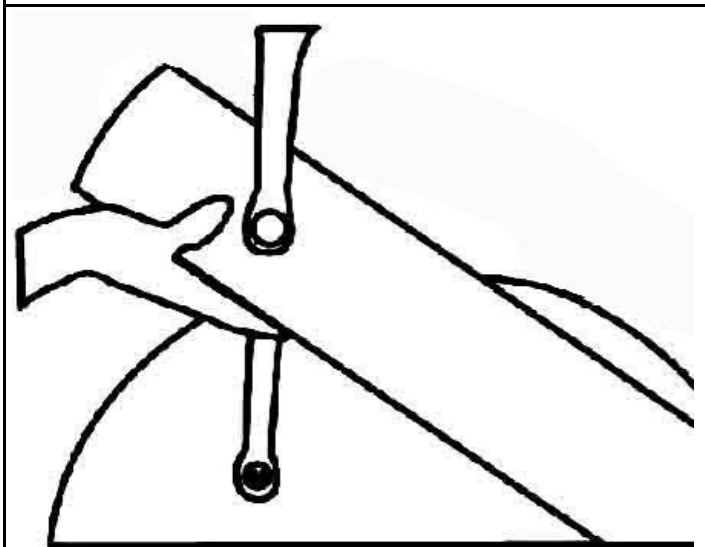

Long Term Water Treatment and Basic Operation

CAUTION

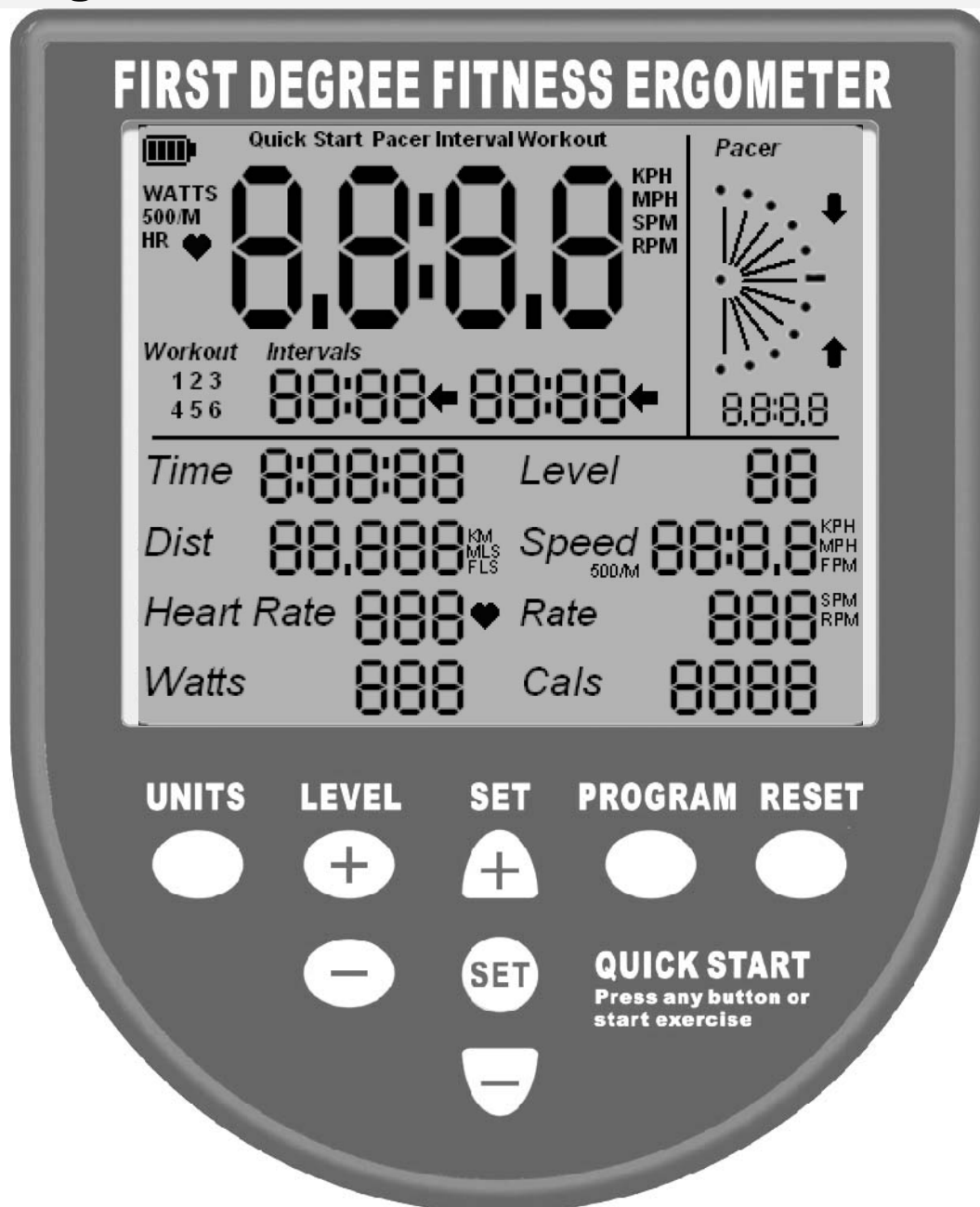
Important: Do not fill past the calibration mark as indicated on the tank level sticker or water spillage may occur. See tank filling and water treatment page for details.

Long term water treatment:

Water treatment schedules for the E720 will vary according to the fluid tanks exposure to sunlight but expect 8-12 months near a bright, sunlit window and 2-4 years for a darker location. At the point of finding the water slightly green, add a Chlorine tablet.

	<p>Resistance: The level of resistance is determined by the level indicator located on the front of the tank. Level one indicates lightest resistance, level twenty represents heaviest resistance. Allow three to four seconds after adjusting resistance handle for the correct resistance level to be achieved.</p>
	<p> Warning:</p> <p>Removing hands before the crank comes to a complete stop while training can cause injury. The crank is direct drive so as to allow both forward and reverse rotation during workouts.</p>

Rower Ergometer



Quick start: Provides instant workout information. Just start training to activate. You can choose to change UNITS displayed

UNITS: Displays WATTS, SPM, HR, 500/m

LEVEL: Adjustable from 1-20. Match LEVEL number with resistance level on the Fluid tank.

SET: Changes Time, Distance parameters

PROGRAM: Clears current exercise program

RESET: Clears data

Note: For complete operational instructions, please refer to the computer manual, which is included with your E-720 Series rower.

Using the First Degree Fitness USB Interface

Description:

The USB connectivity now built in to all new models of FDF Console and IPM allow you to enhance your exercise experience by connecting to your home PC or Laptop. Using FDF's own sample applications you can exercise while enjoying your favorite movies. *NetAthlon 2 XF for Rowers* lets you race with other Internet connected rowers in a Virtual Reality 3D environment or train solo.

Setting up USB connectivity

1. Download and Install the USB Device Driver (CDM2xxxx_Setup.exe for 32 and 64 bit Windows 7/Vista/XP) from the FDF Website.
2. Download and Install the Sample USB Applications from the FDF Website (www.firstdegreefitness.com).
Download and Install NetAthlon 2 XF for Rowers from <http://www.webracing.org/downloads.htm>

Connecting your console

- The USB Connector is located on a flying lead at the rear of the IPM, along with the Sensor and Heart Rate Monitor Connectors.
- Connect to a Laptop or PC using a standard USB cable, you may need to wait while Windows starts the USB Device Driver.

Note: Please refer to computer manual where applicable or for further information refer to our website at www.firstdegreefitness.com

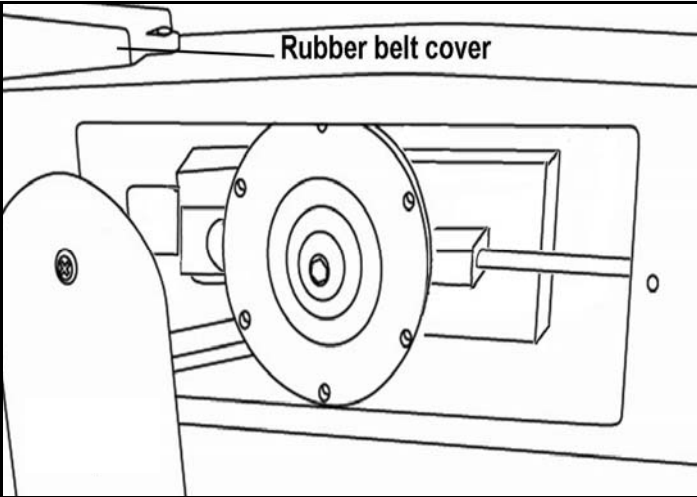
Maintenance chart.

Item	Timeframe	Instructions	Notes
Seat and Frame.	Weekly.	Wipe down weekly with lint free cloth or more often with heavy club use.	
PK belt tension.	Monthly.	Check monthly for signs of slippage. Adjust/tighten as required.	
Tank and water treatment.	12 months to 2 years.	Follow instructions as specified in the “Water Treatment” section of this manual.	
Chain drive.	Check every 100 hours for correct tension.	Open the inspection plate and check tension using a screwdriver or other tool. Tighten as required using chain tensioning bolts located at the end of the control arm.	
E720 pedals.	Tighten weekly using 15mm box wrench (supplied)	The pedals should be checked on a regular basis. A loose pedal can cause damage to the crank arm aluminum threads, requiring replacement.	

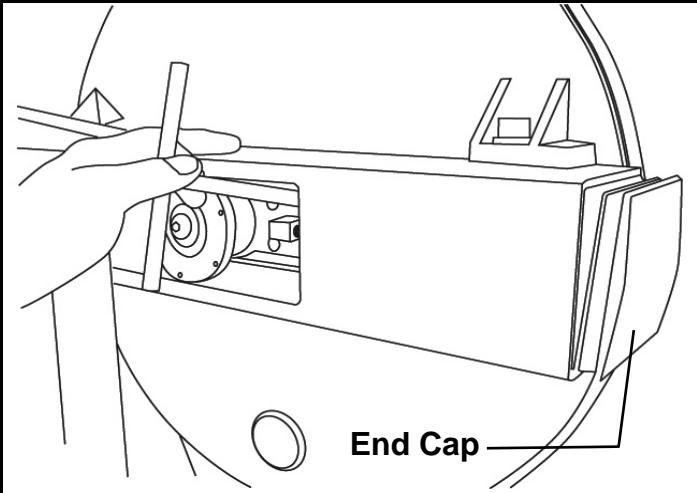
Troubleshooting

Fault	Probable Cause	Solution
Water changes color or becomes cloudy.	Rower is in direct sunlight or has not had water treatment.	Change rower location to reduce direct exposure to sunlight. Add water treatment or change tank water as directed in the water treatment section of this manual. Consider using distilled water to refill tank.
Knocking noise from inside the control arm while training, especially when changing directions.	Chain requires tightening or adjustment.	Open inspection plate located on front of control arm and check tension using a screwdriver or other tool. Use the chain tensioning bolts located at the rear of the control arm to tighten or adjust as needed. The chain should have approx 3mm of slack when properly adjusted. See P.10 for details.
Pedals slip during hard training.	PK tank belt requires tightening.	Remove large inspection plate next to the tank, insert a long tool to push the rear end cap out from the inside, exposing the tank belt tensioning bolt. Loosen tank bolts slightly. Remove upper rubber belt cover to expose the PK belt. Tighten the tank tensioning bolt until the belt is too tight to be twisted from side to side more than 45 degrees by hand.
Pedal is loose (either left or right) and cannot be retightened.	Aluminum crank arm threads are stripped.	Contact service center for replacement. Then check weekly as recommended.
Computer screen illuminates, but does not register when rowing.	Loose or failed connection/Sensor gap too wide (see erratic computer display).	Check that the computer lead is connected properly. If connected properly check sensor gap. Contact your local service center if this fails to address the problem.
The E720 computer does not illuminate after battery installation.	Batteries installed incorrectly or need replacing.	Reinstall batteries in correct position and try again. If the LCD screen fails to illuminate, try rotating the batteries slightly in the computer. If this fails, contact your local service center.
The E720 computer display is erratic/slow while displaying RPM and WATTS	Gap between sensor and magnetic ring is too wide.	Remove inspection plate and check sensor gap and that magnetic ring is not wobbly.

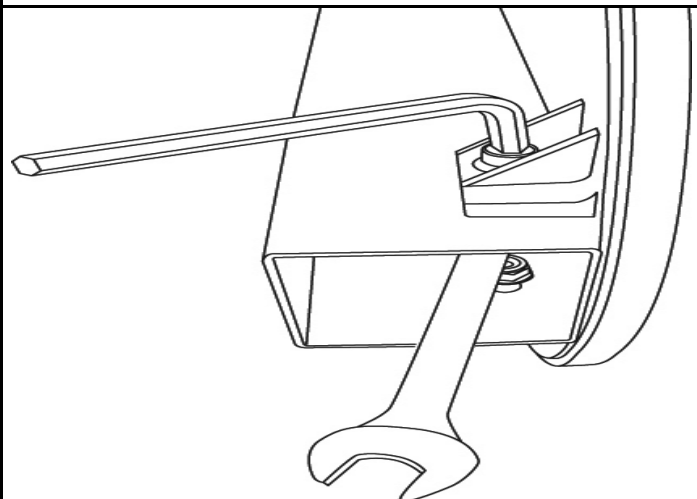
Tank Belt Adjustment



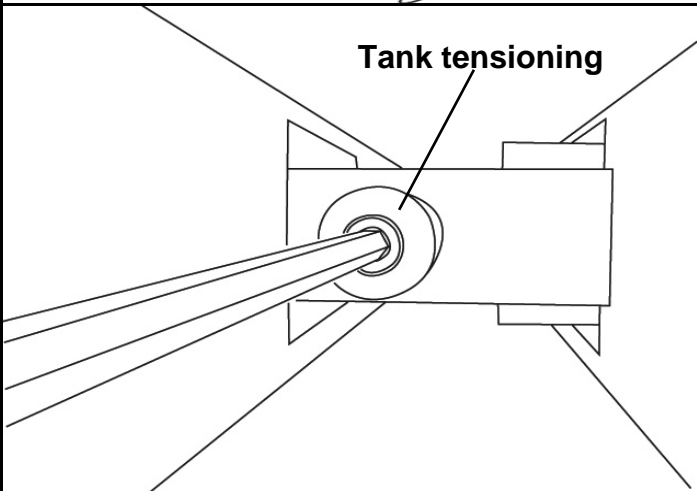
Remove large metal inspection plate as shown above right.



Using a long tool, push out the rear end cap as pictured right. This will give you access to the tank tensioning bolt (shown bottom right).



Loosen both the front and rear tank bolts as shown below. Remove front rubber belt cover.



Using a 6mm Allen key, tighten the belt using the tank tensioning bolt until the belt no longer slips during hard rowing.

Tip: Twist the belt by hand to gauge tightness. Correct tension should be obtained when no longer able to twist more than 45 degrees.

Note: Do not over tighten tank bolts.

FLUID CYCLE XT (XT-E720)

INTERNATIONAL WARRANTY – FULL COMMERCIAL USE

This product is designed and constructed for use in any Health Club / Fitness Studio application

First Degree Fitness Limited warrants that the **Fluid Cycle XT (model FR-E720)**, purchased from an authorised agent and in its undamaged original packaging, is free from defects in materials and workmanship. First Degree Fitness Limited or its agent will, at their discretion, repair or replace parts that become defective within the warranty period, subject to the specific inclusions and exclusions below.

Metal Frame – 10 Year Limited Warranty

First Degree Fitness will repair or replace the metal Main Frame should it fail due to any defect in materials or workmanship within 10 years of the original purchase. Warranty does not apply to frame coating.

Polycarbonate Tank & Seals – 3 Year Limited Warranty

First Degree Fitness will repair or replace the polycarbonate tank or seals should they fail due to any defect in materials or workmanship within 3 years of the original purchase.

Mechanical Components (of a non-wearing nature) – 2 Year Limited Warranty

First Degree Fitness will repair or replace any mechanical component should it fail due to any defect in materials or workmanship within 2 years of the original purchase.

All Other Components (of a wearing nature) – 1 Year Limited Warranty

First Degree Fitness will repair or replace any component should it fail due to any defect in materials or workmanship within 1 year of the original purchase.

Specific Inclusions

- Pedals & toe straps
- Hand grip assemblies
- Seat
- All rubber components
- Computer & speed sensor (excluding replaceable batteries)
- All drive belts & chains
- Crank arms
- All pulleys, rollers & bearings

General Exclusions

- Damage to the finish of any part of the machine
- Damage due to neglect, abuse, incorrect assembly or use of the machine
- Any charges for freight or customs clearance associated with the return or dispatch of parts
- Any damage to or loss of goods during transport of any kind
- Any labour cost associated with a warranty claim

General Conditions

- The serial number of the machine must be correctly registered with First Degree Fitness Limited or one of its appointed distributors
- First Degree Fitness Limited reserve the right to examine any part where replacement is claimed under warranty
- Warranty commences at time of sale but no later than six (6) months from date of original shipment
- Warranty period applies only to the original purchaser from the date of purchase and is not transferable
- The product must be returned to your place of purchase in original packaging with transportation, insurance and associated charges paid for by you and risk of loss or damage assumed by you
- First Degree Fitness makes no other warranties except as stated here and expressly disclaims all warranties not stated in this warranty. Neither First Degree Fitness nor its associates shall be responsible for incidental or consequential damages
- Manufacturer's warranty automatically commences upon sale of the product to end user or upon the expiration of one (1) year from month of manufacture, whichever occurs first