

**Step 1:** Prior to assembly, carefully unpack all box contents. Check box contents to the detail below. Make sure all contents are accounted for.

If anything is missing, please contact INFINITY at 603-910-5000. Do not return to the place of purchase.

Before assembling your chair, watch an assembly video at: [www.infinitymassagechairs.com/assembly-tutorials](http://www.infinitymassagechairs.com/assembly-tutorials)

Alternatively, scan the QR code to go directly to the URL above.



**Step 2:** Place the chair body on a soft surface for assembly. Determine the left arm panel from the right and place next to the correct side of the chair.

**Step 3:** Note the 3 locations each arm attaches to the chair body; locations A, B and C.

**Step 4:** Locate the Air Hoses off each side of chair body and note each hose has a number. Locate the corresponding number on the Air Ports of each Arm. Firmly connect the hoses to the ports by matching the electrical plug into the corresponding electrical port on the left arm panel.

**Final Check:** Double check that all air hoses are still firmly connected in the back of the chair under the arm panels. You can see the connections in the back of the chair, underneath the arm panels when fully upright. Plug the chair back into a grounded 110V electrical outlet.

**Zipper the closure between the Footrest and Chair Body**

**Ensure the Footrest assembly swings freely up and down, Electrical connections are firmly attached, and air hoses are secure. Remove the foot pads to increase foot roller intensity, if desired.**

**Turn on Main power switch**

Power on the remote and select AUTO program to start a session.

Review chair for smooth operation. If things are not operating correctly, review all assembly steps. Call Infinity support at 1-603-910-5000 if you need live US-based support.

If you wish to use an APP to control the chair, download from the Apple or Google app store and follow pairing instruction found within the APP.

**You are done; time for a Massage!**

**Final Check:**

Double check that all air hoses are still firmly connected in the back of the chair under the arm panels. You can see the connections in the back of the chair, underneath the arm panels when fully upright.

Plug the chair back into a grounded 110V electrical outlet.

Zipper the closure between the Footrest and Chair Body

Ensure the Footrest assembly swings freely up and down, Electrical connections are firmly attached, and air hoses are secure. Remove the foot pads to increase foot roller intensity, if desired.

Turn on Main power switch

Power on the remote and select AUTO program to start a session.

Review chair for smooth operation. If things are not operating correctly, review all assembly steps. Call Infinity support at 1-603-910-5000 if you need live US-based support.

If you wish to use an APP to control the chair, download from the Apple or Google app store and follow pairing instruction found within the APP.

**You are done; time for a Massage!**

Register your product at [www.infinitymassagechairs.com/warranty](http://www.infinitymassagechairs.com/warranty) to ensure it is in our system. This will simplify the warranty process should you ever need it.

Alternatively, scan the QR code to go directly to the URL above.

**INFINITY**  
 MASSAGE CHAIRS

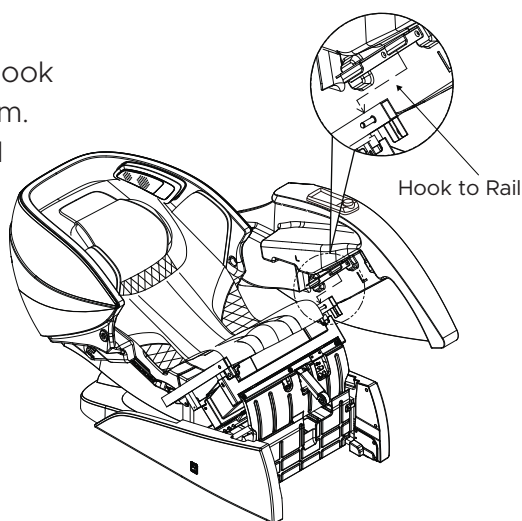
**Assembly Guide**

**Evolution Max 4D  
 Massage Chair**

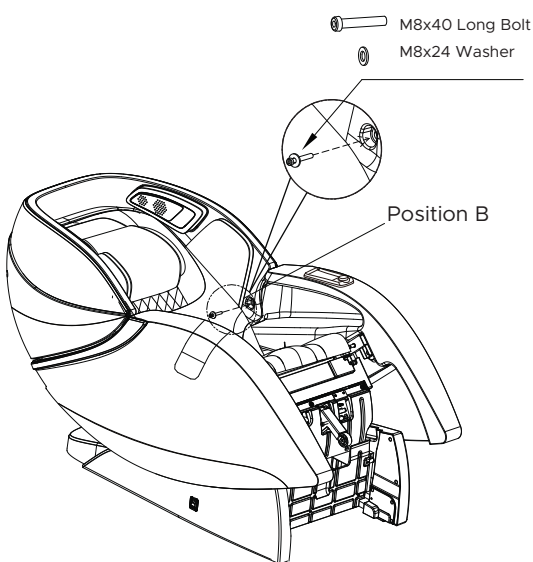
# INFINITY

## MASSAGE CHAIRS

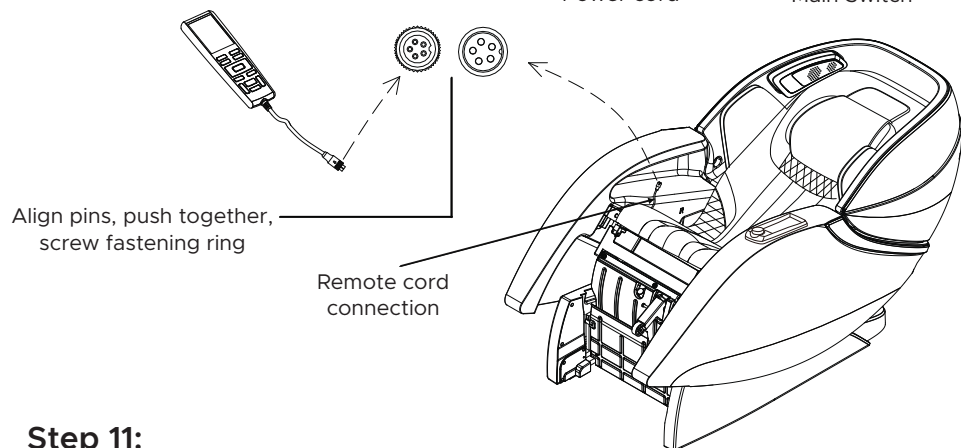
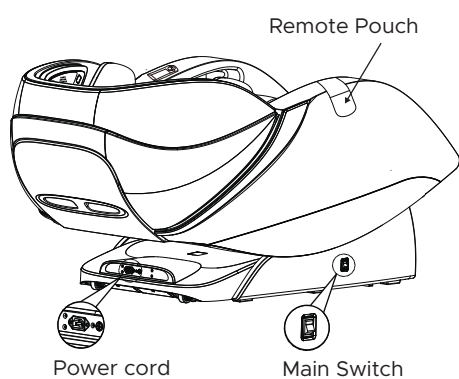
**5 Step 5:**  
Carefully lift each arm and hook on the rail to support the arm. Make sure the air hoses and electrical wires remain connected and not pinched.



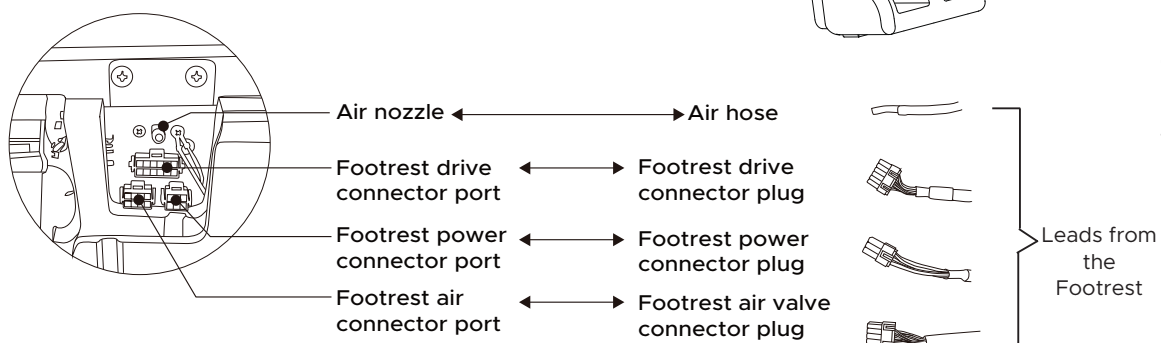
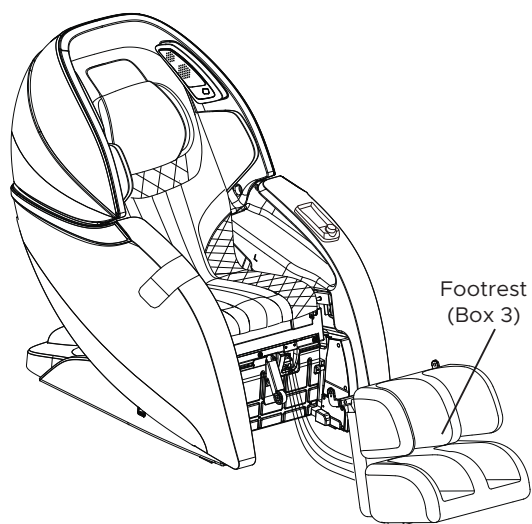
**7 Step 7:**  
Locate the long, silver M8 Bolts (2), Washers (2) and hex key tool from the Accessory Box. Fasten this bolt and washer under the Velcro flap just below the shoulder air bag (Position B) until snug; do not tighten yet.



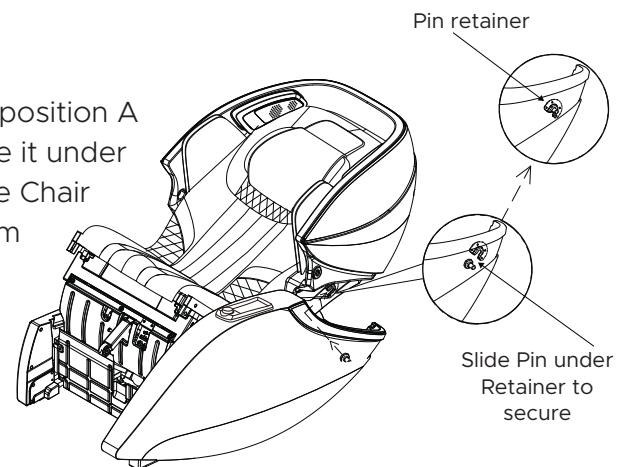
**9 Step 9:**  
Locate the Power Cord, Remote Control and Remote pouch from the Accessory Box. Attach each to the chair body in locations on the illustration, being careful to line up electrical pins and prongs. The Pouch attaches to the Velcro found under the right arm massage.



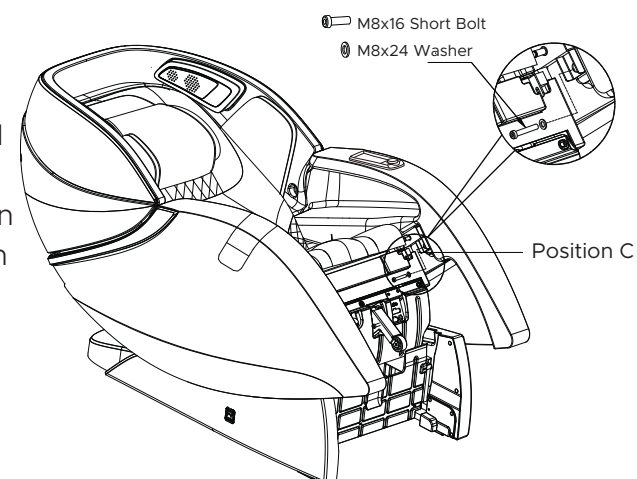
**11 Step 11:**  
Unplug chair from electrical source. Locate Footrest and place on floor adjacent to chair body. Attach the 3 electrical connectors and air hose to air port.



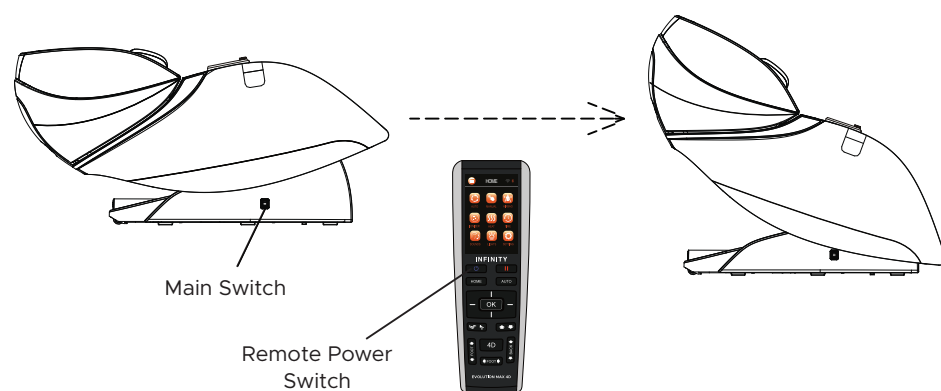
**6 Step 6:**  
Next locate the Pin in position A on the Arm and secure it under the Pin Retainer on the Chair body in position A from step 3.



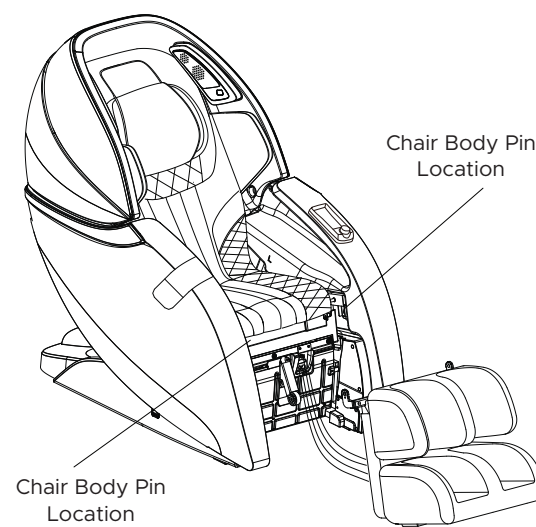
**8 Step 8:**  
Locate the shorter, black M8 Bolts (2) and Washers (2) from the Accessory Box. Fasten this bolt and washer in Position C. When secured, tighten both positions C and B on both arms.



**10 Step 10:**  
Plug the chair into a grounded electrical outlet. Power on the Main power switch and press the Power button on the remote until the chair uprights out of shipping position. (you may need to press power more than once).



**12 Step 12:**  
Remove the clips on the Chair Body Pins by sliding up. (If Clips are missing, there are spare clips in the Accessory Box)



Lift the Footrest and position the hinge of on body pin. Carefully align the other side hinge over the pin and center the Footrest. Fasten the clips over the pins to retain both sides of the footrest.

