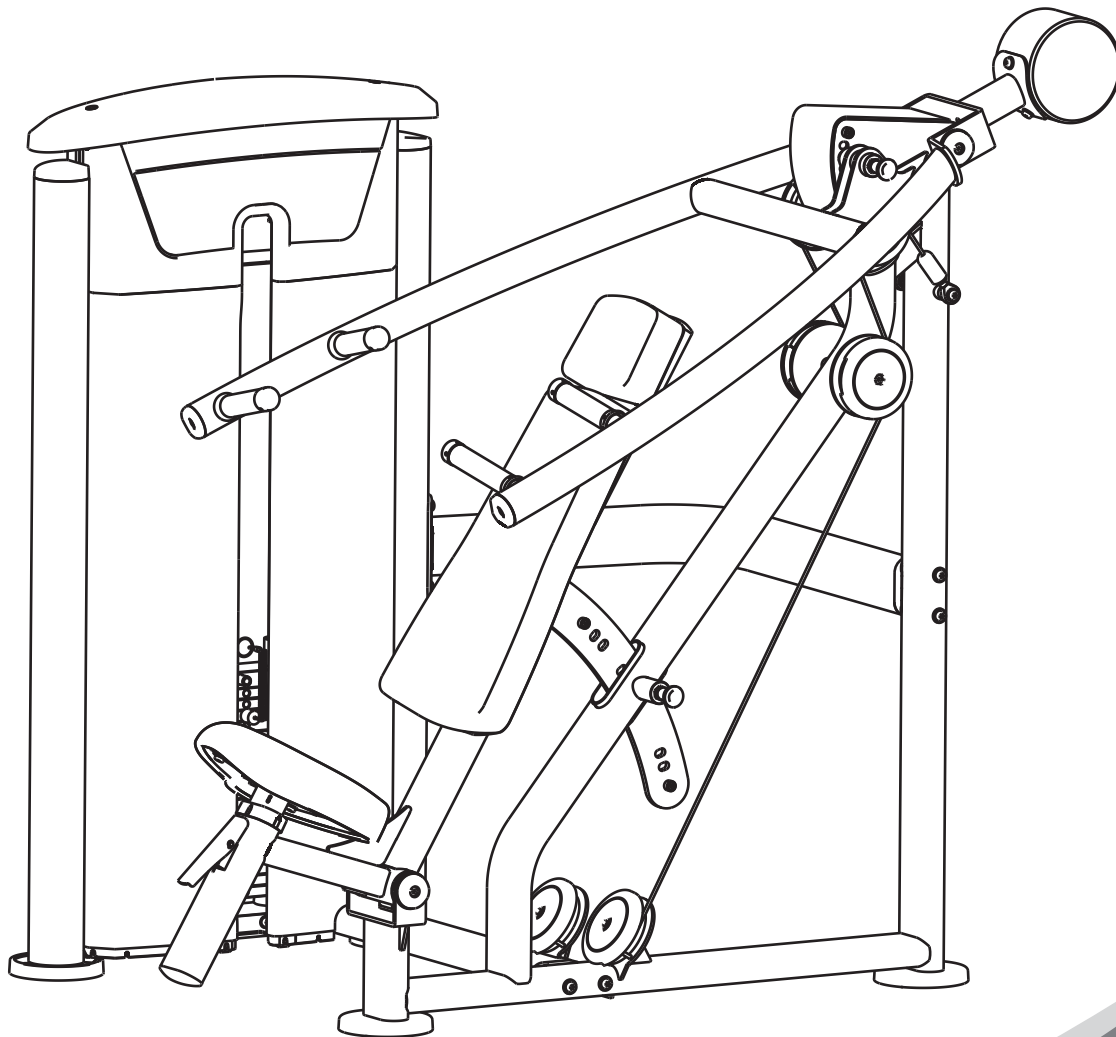




7060-G2

MULTI PRESS

Owner's Manual



! CAUTION

Read all precautions
and instructions in this manual
before using this equipment

Table Of Contents

CAUTION!

Read all precautions and instructions in this manual before using this equipment.

Important Safety Instructions-----	3
Instructions-----	5
Exploded View and Parts List-----	6
Measurement Guide-----	16
Assembly Instructions-----	17
Assembly-----	18
Adjust Instructions-----	32
Exercise Instructions-----	33
Maintenance Schedule-----	34
General Maintenance Information-----	35
Weight Training Tips-----	36

Please assemble according to the actual **Weights** you buy !

Important Safety Instructions

Before beginning any fitness program, you should obtain a complete physical examination from your physician. When using exercise equipment, basic precautions should always be taken, including the following:

1. Read all instructions before using the equipment.
These instructions are written to ensure your safety and to protect the unit.
2. Use the equipment only for its intended purpose as described in this guide.
Do not use accessory attachments that are not recommended by the manufacturer: such attachments might cause injuries.
3. The product should only be used on a level surface and is with 0.5 meters space around the product.
Do not use the equipment outdoors.
4. Do not allow children on or near the equipment. And children are not allowed to use this equipment.
Teenagers should use this equipment with adult supervision.
5. Do not overexert yourself or work to exhaustion.
Do not attempt to lift more weight than you can control safely.
If you feel any pain or abnormal symptoms, stop your workout immediately and consult your physician.
6. This equipment is not used as medical apparatus and instruments.
7. Never operate the unit when it has been dropped or damaged.
Never drop or insert anything into any opening in the equipment.
Always check the unit and its cables before each use. Make sure that all fasteners and cables are secure and in good working condition.
Frayed or worn cables can be dangerous and may cause injury. Periodically check these cables for any indication of wear.
Keep hands, limbs, loose clothing and long hair well out of the way of moving parts.
8. Be careful when getting on or off the equipment.
9. Wear proper exercise clothing and shoes for your workout, no loose clothing.

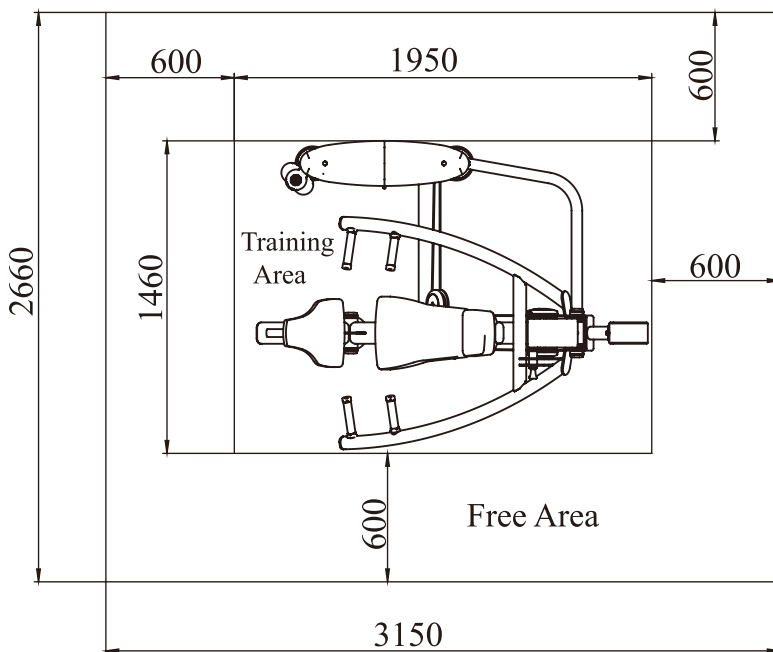
Important Safety Instructions

Personal Safety During Assembly

Read each step in the assembly instructions and follow the steps in sequence. Do not skip ahead. If you skip ahead, you may learn later that you have to disassemble components and that you may have damaged the equipment.

Assemble and operate the equipment on a solid, level surface. Locate the unit a few feet from walls or furniture to provide easy access. The equipment is designed for your enjoyment. By following these precautions and using common sense, you will have many safe and pleasurable hours of healthful exercise with the equipment.

Training Area and Free Area



Specifications

Class: S

Maximum Wt. Capacity: 134kg/ 295lbs

Maximum User Weight: 150kg/ 330lbs

Product Total Surface: 1950*1460mm

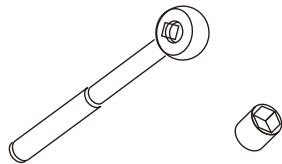
Product Total Mass: 166kg/ 366lbs

Instructions

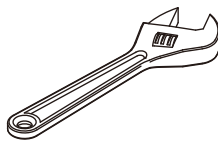
Before beginning assembly please take the time to read instructions thoroughly. Please use the various lists in this manual to make sure that all parts have been included in your shipment. When ordering, use part number and description from the lists. Use only our replacement part when servicing. Failure to do so will void your warranty and could result in personal injury.

The equipment is designed to provide the smoothest, most effective exercise motion possible. After assembly, you should check all functions to ensure correct operation. If you experience problems, first recheck the assembly instructions to locate any possible errors made during assembly. If you are unable to correct the problem, call your authorized dealer. Be sure to have your serial number and this manual when calling. When all parts have been accounted for, continue on.

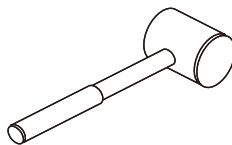
Tools Required



Ratchet Wrench and Socket



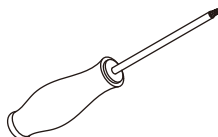
Adjustable Wrench



Rubber Mallet



Hex Key Wrench Set



Phillips Screwdriver

Exploded View and Parts List

Overall

Item No.	Grade No.	Part No.	Description	QTY
1	1	IT950101ASSY	Weight Stack Frame ASSY	1
2	2	IT950121ASSY	Top Bracket ASSY	1
3	3	IT950122ASSY	Bottom Bracket ASSY	2
4	4	IT95012300	Rear Bracket	1
5	5	IT95014200	Top Plate	1
6	6	IT95014400	Guide Rod Φ 19*1242	2
7	7	IT95015100	Top Cover	1
8	8	IT95015200	Training Placard Cover	1
9	9	IT95015500	Top Rear Shroud	1
10	10	IT801210300P11C	Cup Holder	1
11	11	IT952902ASSY	Bottom Cross Brace ASSY	1
12	12	IT95290300	Rear Connection Frame	1
13	13	IT952904ASSY	Main Frame ASSY	1
14	14	IT952905ASSY	Seat and Bank Pad Frame ASSY	1
15	15	IT952906ASSY	Top Adjust Frame ASSY	1
16	16	IT95290700	Seat Pad Support	1
17	17	IT952908ASSY	Arm Frame Assy	1
18	18	IT95292200	Arm Frame Shaft	1
19	19	IT95292500	Counter Poise Block	1
20	20	IT90121500V1	Shaft	1
21	21	IT95012400	Double Pully Bracket	1
22	22	IT95291100	Cable ASSY2	1
23	23	IT95120800	Tension Cable ASSY	1
24	24	SG500110400V5	Thin 4.5" Pulley	7
25	25	SD1000B3000ASSY	Adjustable Foot Plate	2
26	32	IT95016000	Plastic Cover	2
27	40	IT90012000V1	Selector Pin W/Coil	1
28	41	HFOPT900-04A0602	Spring	2
29	42	IT95016100	Guide Rod Fixing Sleeve Φ 25* Φ 19*45	2

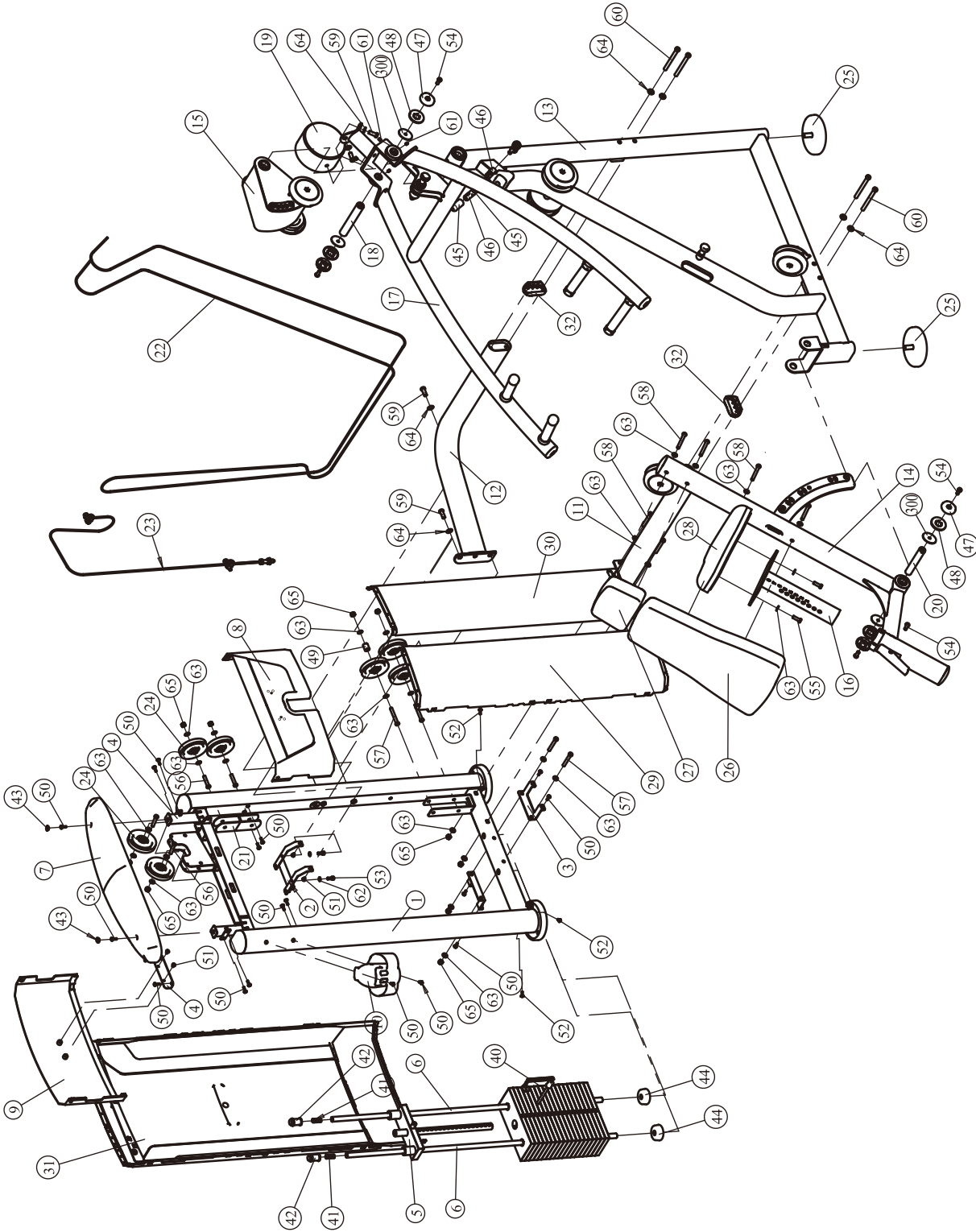
Exploded View and Parts List

Overall

Item No.	Grade No.	Part No.	Description	QTY
30	43	IT95016500	Spout Plug Φ 16.5*6.88	2
31	44	IT80023000	Weight Rubber Bumper	2
32	45	FE970113100	Cable Connector Jacket	2
33	46	FE970113200	Cable Connector	2
34	47	FE97211900	Cap Φ 60	4
35	48	FE97212000	Circle Ring Φ 62.5*5	4
36	49	FE97193400	Pulley Spacer	1
37	50	GB818M6*20DHS2	Cross Recessed Pan Head Screw M6*20	18
38	51	GB818M6*10DHS2	Cross Recessed Pan Head Screw M6*10	4
39	52	GB818M6*16DHS2	Cross Recessed Pan Head Screw M6*16	4
40	53	GB70M8*20N19	Socket Head Cap Screw M8*20	2
41	54	GB70BTM10*25DN18	Socket Head Cap Screw M10*25	5
42	55	GB70BTM10*30DN18	Socket Head Cap Screw M10*30	2
43	56	GB70BTM10*50DN18	Socket Head Cap Screw M10*50	4
44	57	GB70BTM10*75DN18	Socket Head Cap Screw M10*75	4
45	58	GB70BTM10*80DN18	Socket Head Cap Screw M10*80	6
46	59	GB70BTM12*30DN18	Socket Head Cap Screw M12*30	4
47	60	GB70BTM12*135DN18	Socket Head Cap Screw M12*105	4
48	61	GB77M8*10DS2	Socket Head Cap Screw M8*10	4
49	62	GB958DN2	Flat Washer Φ 9* Φ 16*1.6	2
50	63	GB9510DN2	Flat Washer Φ 11* Φ 20*2	26
51	64	GB9512DN2	Flat Washer Φ 13* Φ 24*2.5	8
52	65	NM10DN2	Nylon Lock Nut M10	10
53	66	NBS4DHS	Hex Key S=4	1
54	67	NBS6DHS	Hex Key S=6	1
55	68	NBS8DHS	Hex Key S=8	1
56	69	LW200BS	Wrench Φ 6*117	1
57	70	YHY	Lube	1
58	300	IF93062200	Big Washer Φ 62* Φ 10.5*3	4

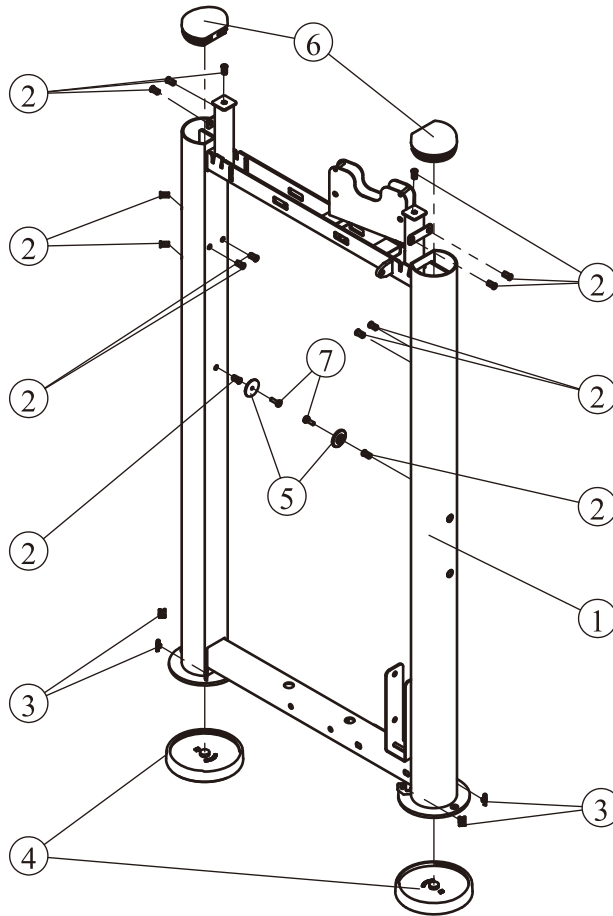
Exploded View and Parts List

Overall



Exploded View and Parts List

Weight Stack Frame ASSY

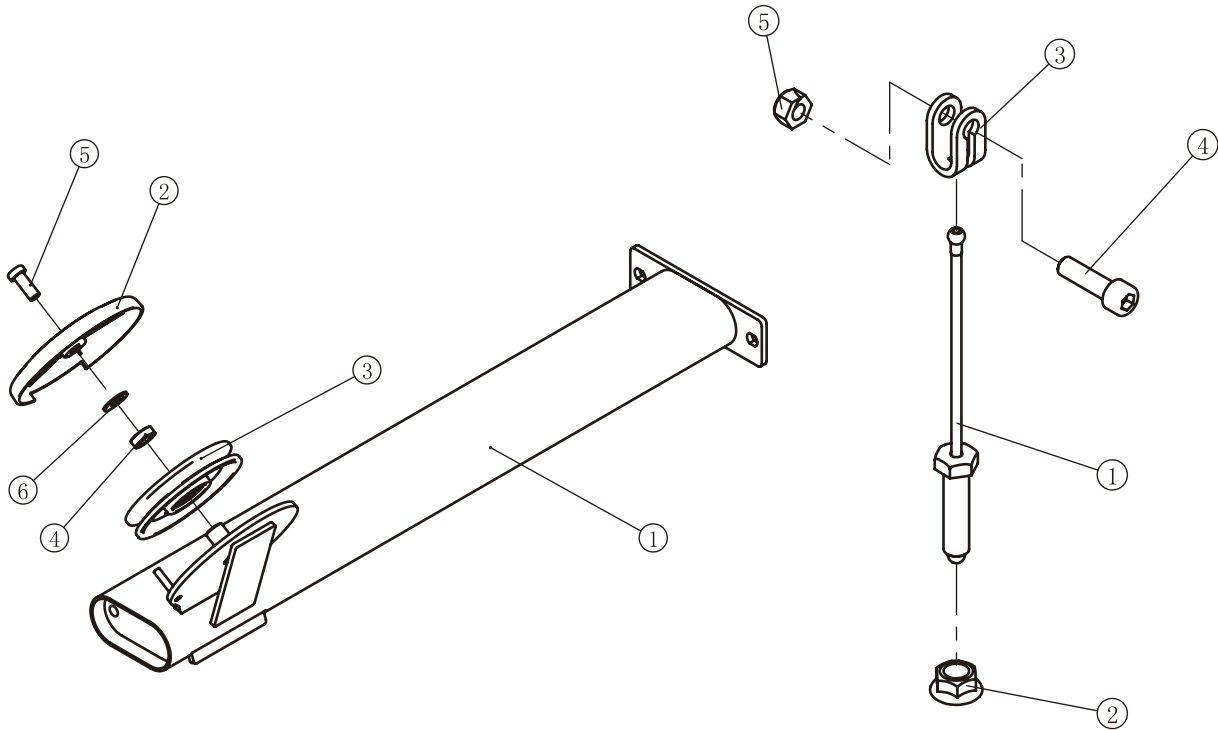


Item No.	Grade No.	Part No.	Description	QTY
1	1.1	IT95010100	Weight Stack Frame	1
2	1.2	GB17880.5M6*16.5DS17	Rivet Nut M6	14
3	1.3	AC32705800	U-nut M6	4
4	1.4	IT95015700	Foot Plate	2
5	1.5	IT95015900	Plastic Block	2
6	1.6	IT95015800	Plug $\Phi 95*81.1$	2
7	1.7	GB818M6*20DHS2	Cross Recessed Pan Head Screw M6*20	2

Exploded View and Parts List

Bottom Cross Brace ASSY

Tension Cable ASSY



Bottom Cross Brace ASSY

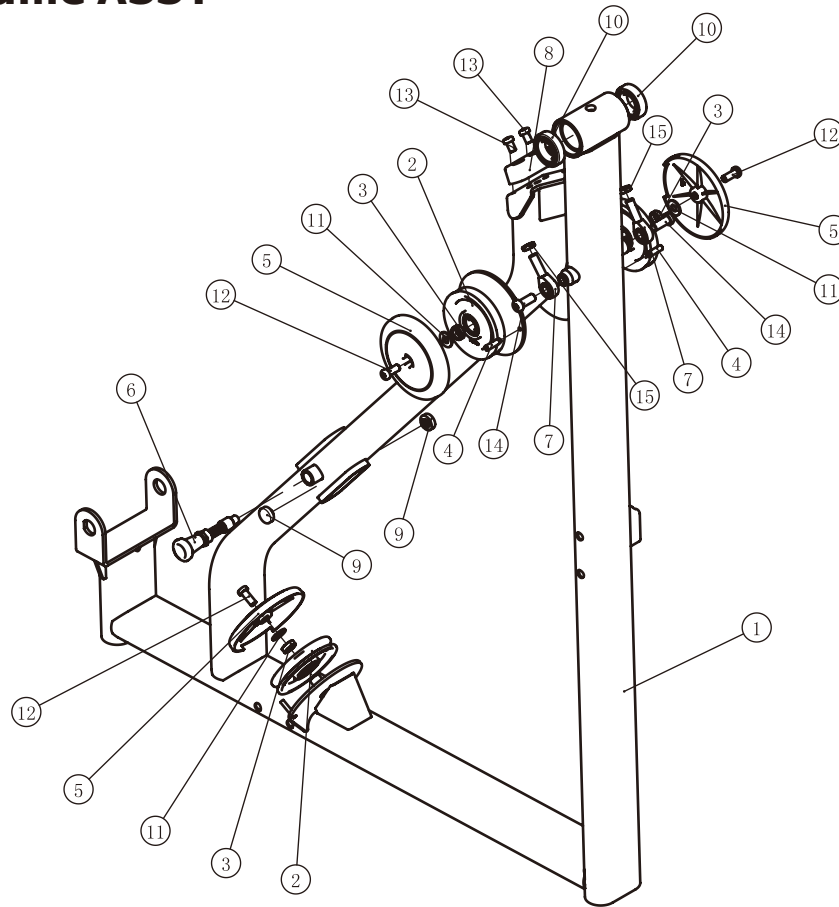
Item No.	Grade No.	Part No.	Description	QTY
1	11.1	IT95290200	Bottom Cross Brace	1
2	11.2	IT95016400	Pulley Cover	1
3	11.3	IT95057800	Thin 4.5" Pulley	1
4	11.4	FE97122100	Pulley Spacer1	1
5	11.5	GB70BTM10*25DN18	Socket Head Cap Screw M10*25	1
6	11.6	DQ10N19B	Flat Washer $\Phi 11 * \Phi 25 * 2$	1

Tension Cable ASSY

Item No.	Grade No.	Part No.	Description	QTY
1	23.1	IT95120801	Tension Cable	1
2	23.7	HF900-03A1002	Hex Flange Nut	1
3	23.3	BNH0562	Strap Bracket	1
4	23.4	GB70M10*35*15DN18	Socket Head Cap Screw M10*35	1
5	23.5	NM10DN2	Nylon Lock Nut M10	1

Exploded View and Parts List

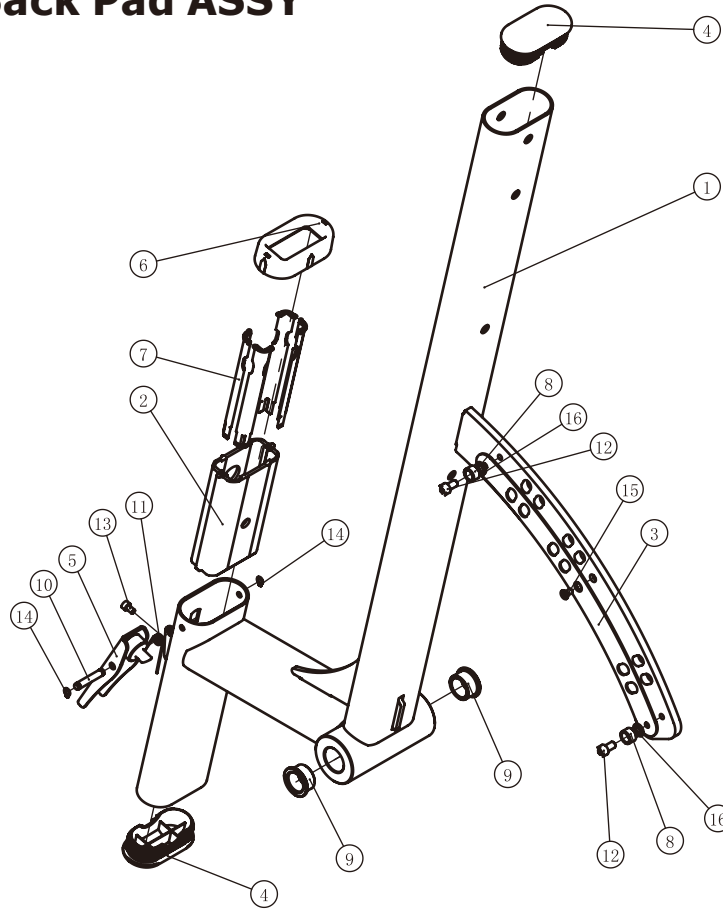
Main Frame ASSY



Item No.	Grade No.	Part No.	Description	QTY
1	13.1	IT95290400	Main Frame	1
2	13.2	IT95057800	4.5" Pulley	1
3	13.3	FE97122100	Pulley Spacer1	1
4	13.4	FE97122300	Threaded Column	1
5	13.5	IT95016400	Pulley Cover	2
6	13.6	IT95021600	Elasticity Pin	1
7	13.7	SA12T_K	Joint Bearing M12	1
8	13.8	RS17000400	Rectangle Plug Bumper	2
9	13.9	TAB-3363600	Plug Bumper	2
10	13.10	GB2766006-2RSC3NBK	Bearing	2
11	13.11	DQ10N19B	Flat Washer $\Phi 11 * \Phi 25 * 2$	3
12	13.12	GB70BTM10*25DN18	Socket Head Cap Screw M10*25	3
13	13.13	GB70BTM10*16DN18	Socket Head Cap Screw M10*16	2
14	13.14	GB70BTM12*30DN18	Socket Head Cap Screw M12*30	2
15	13.15	GB6172.1M12DN2	Hexagon Thin Nut M12	2

Exploded View and Parts List

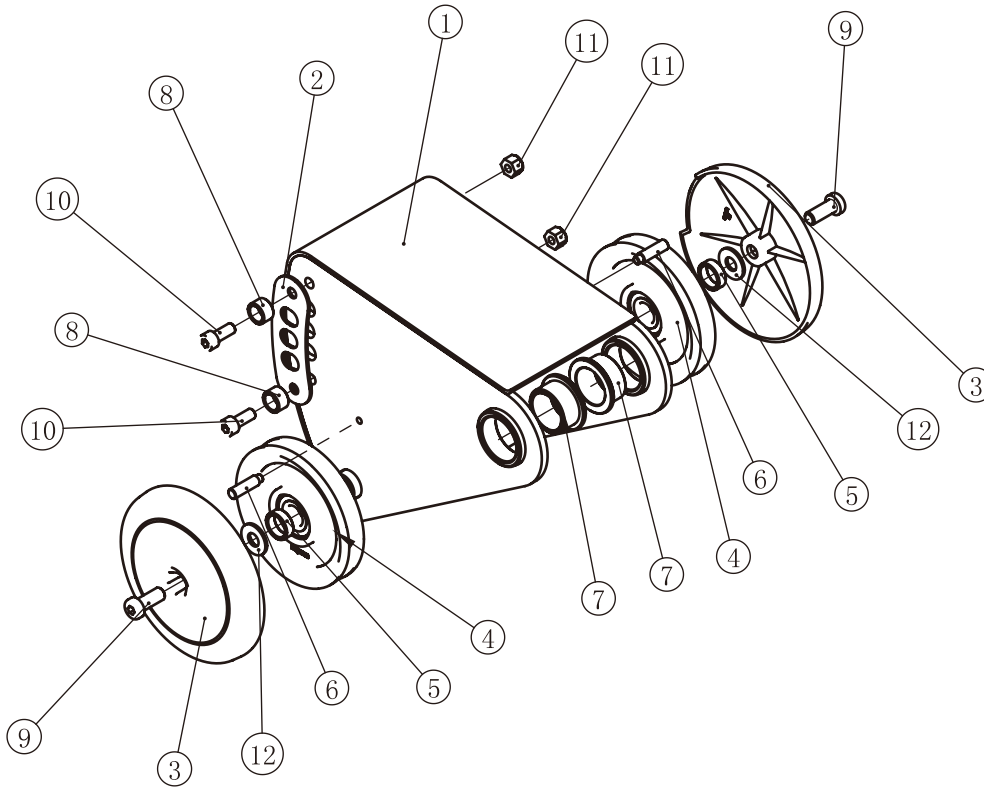
Seat and Back Pad ASSY



Item No.	Grade No.	Part No.	Description	QTY
1	14.1	IT95290500	Seat and Back Pad	1
2	14.2	IT95292100	Aluminum Tube Guide	1
3	14.3	IT95292400	Big Lining Board	1
4	14.4	IT90013800P11C	Plug RT50*100	2
5	14.5	IT95014500	Adjustable Support	1
6	14.6	IT95016200	Plastic Tube Plug	1
7	14.7	IT95016300	Plastic Corner Tube Glide	4
8	14.8	IN-S10111200	Rubber Sleeve Φ 17*10.5	2
9	14.9	M02502000	Bushing Φ 25.4	2
10	14.10	CWRVL0012200	Roll Pin	1
11	14.11	AXT3S5500	Torsional Spring	1
12	14.12	GB70M8*15N19NL	Socket Head Cap Screw M8*15	2
13	14.13	GB70M6*10N19	Socket Head Cap Screw M6*10	1
14	14.14	GB894.18FH12	Circlips For Shaft Φ 8	2
15	14.15	CNLM6*12DS20	Flat Head Cap Screw M6*12	1
16	14.16	GB958DN2	Flat Washer Φ 9* Φ 16*1.6	2

Exploded View and Parts List

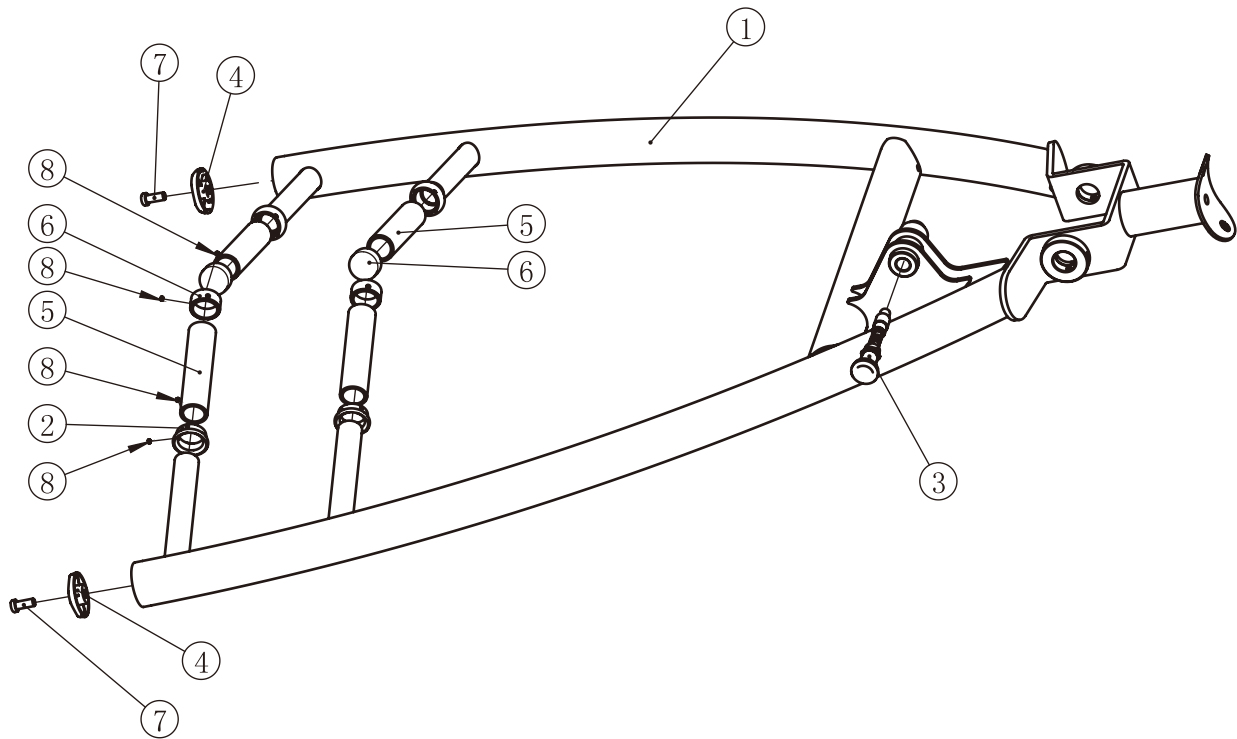
Top Adjust Frame ASSY



Item No.	Grade No.	Part No.	Description	QTY
1	15.1	IT95290600	Top Adjust Frame	1
2	15.2	IT95292300	Lining Board	1
3	15.3	IT95016400	Pulley Cover	2
4	15.4	IT95057800	4.5" Pulley	2
5	15.5	FE97122100	Aluminum Tube Guide	2
6	15.6	FE97122330	Threaded Column	2
7	15.7	FS573600	Bushing Φ 19.5	2
8	15.8	IN-S10111200	Rubber Sleeve Φ 17*10.5	2
9	15.9	GB70BTM10*25DN18	Socket Head Cap Screw M10*25	2
10	15.10	GB70M8*20N19	Socket Head Cap Screw M8*20	2
11	15.11	NM8DN2	Nylon Lock Nut M8	2
12	15.12	DQ10D19B	Flat Washer Φ 11* Φ 25*2	2

Exploded View and Parts List

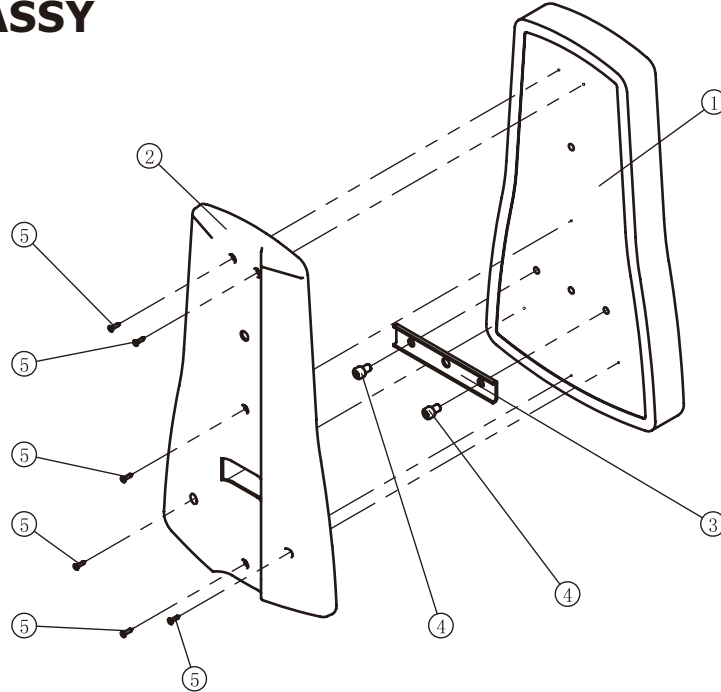
Arm Frame ASSY



Item No.	Grade No.	Part No.	Description	QTY
1	17.1	IT95290800	Arm Frame	1
2	17.2	IT90122100	Aluminum Grip Ring	4
3	17.3	IT95151500	Pin	1
4	17.4	FE97211900	Cap Φ 60	2
5	17.5	026-01PL0235-18	Grip	4
6	17.6	V39000	Aluminum Grip Cap	4
7	17.7	GB70BTM10*25DN18	Socket Head Cap Screw M10*25	2
8	17.8	YZGB7710-32*3.2N19	Socket Set Screw 10-32UNF*3.2	16

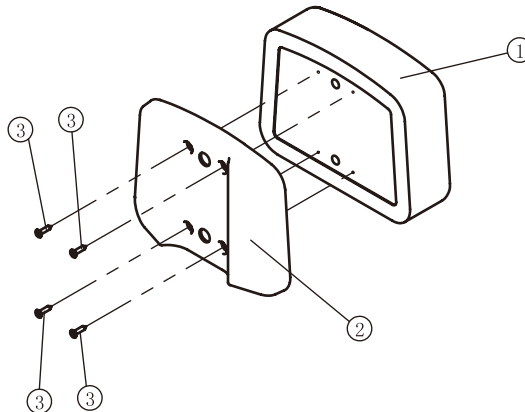
Exploded View and Parts List

Back Pad ASSY



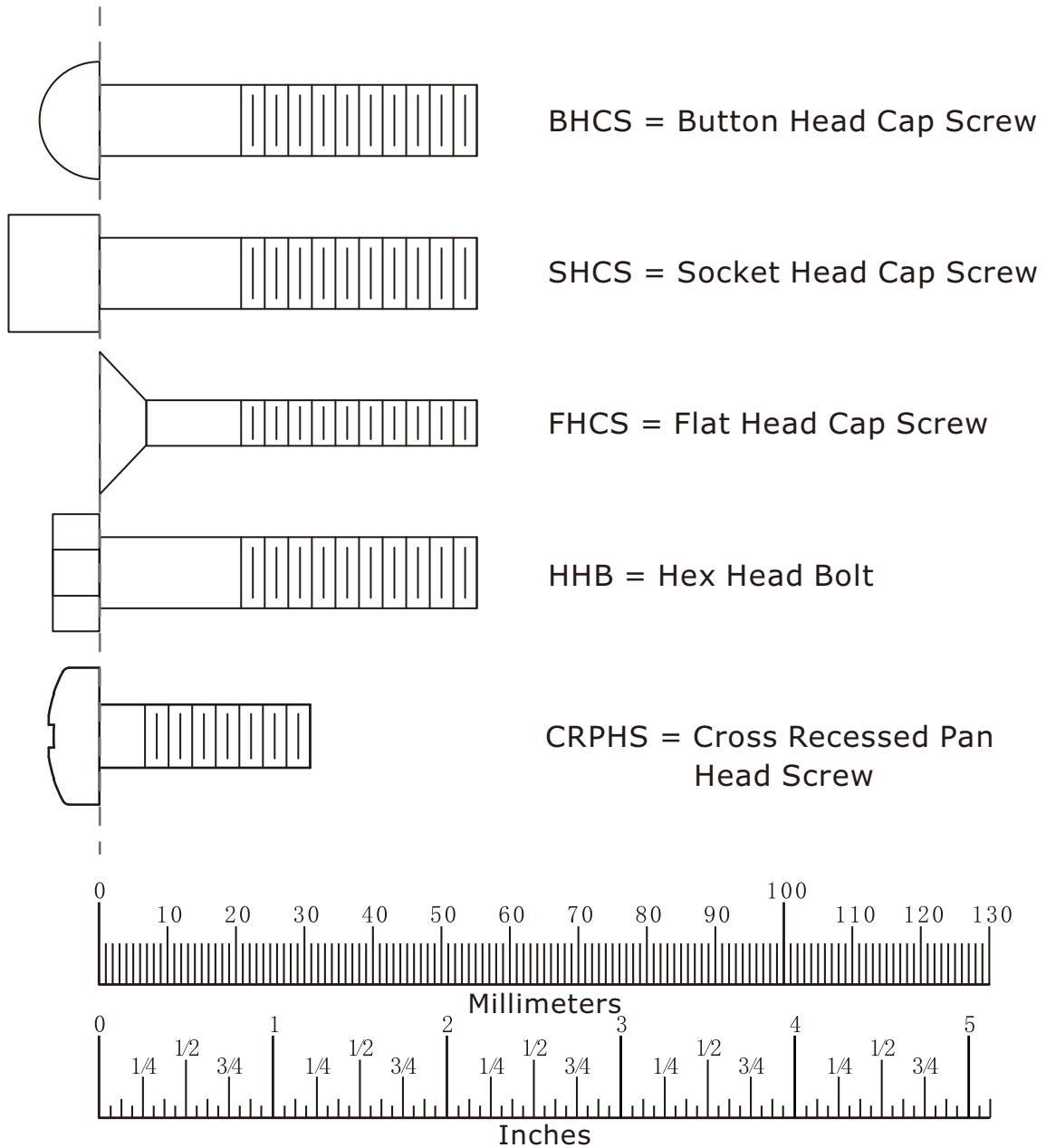
Item No.	Grade No.	Part No.	Description	QTY
1	26.1	IT95017100	Back Pad	1
2	26.2	IT95017300	Back Pad Cover	1
3	26.3	IT95017500	Back Pad Support Plate	1
4	26.4	GB70M10*15DS20	Socket Head Cap Screw M10*15	2
5	26.5	GB846ST4.2*19DHS	Cross Recessed Countersunk Head Tapping Screw ST4.2*19	6

Head Pad ASSY



Item No.	Grade No.	Part No.	Description	QTY
1	27.1	IT95017200	Head Pad	1
2	27.2	IT95017400	Head Pad Cover	1
2	27.3	GB846ST4.2*19DHS	Cross Recessed Countersunk Head Tapping Screw ST4.2*19	4

Measurement Guide



Diameter of bolt (mm/inch)	M6(1/4")	M8(5/16")	M10(3/8")	M12(1/2")	M16(5/8")
Tightening torque (N.m)	9~12	22~30	45~59	78~104	193~257
Operational methods for adult men	The strength of the wrist	The strength of the wrist and forearm	The strength of the entire arm	The strength of the arm and upper body	with all strength

Assembly Instructions

Assembly of the equipment takes professional installers about 2 hours. If this is the first time you have assembled this type of equipment, plan to spend more time. It is strongly recommended to assemble the equipment by professional installers. You may find it quicker, safer, easier to assemble this equipment with the help of a friend, as some of components may be large, heavy or awkward to handle alone. It is important that you assemble your product in a clean, clear, uncluttered area. This will enable you to move around the product while you are fitting components and reduce the possibility of injury during assembly.

NOTE

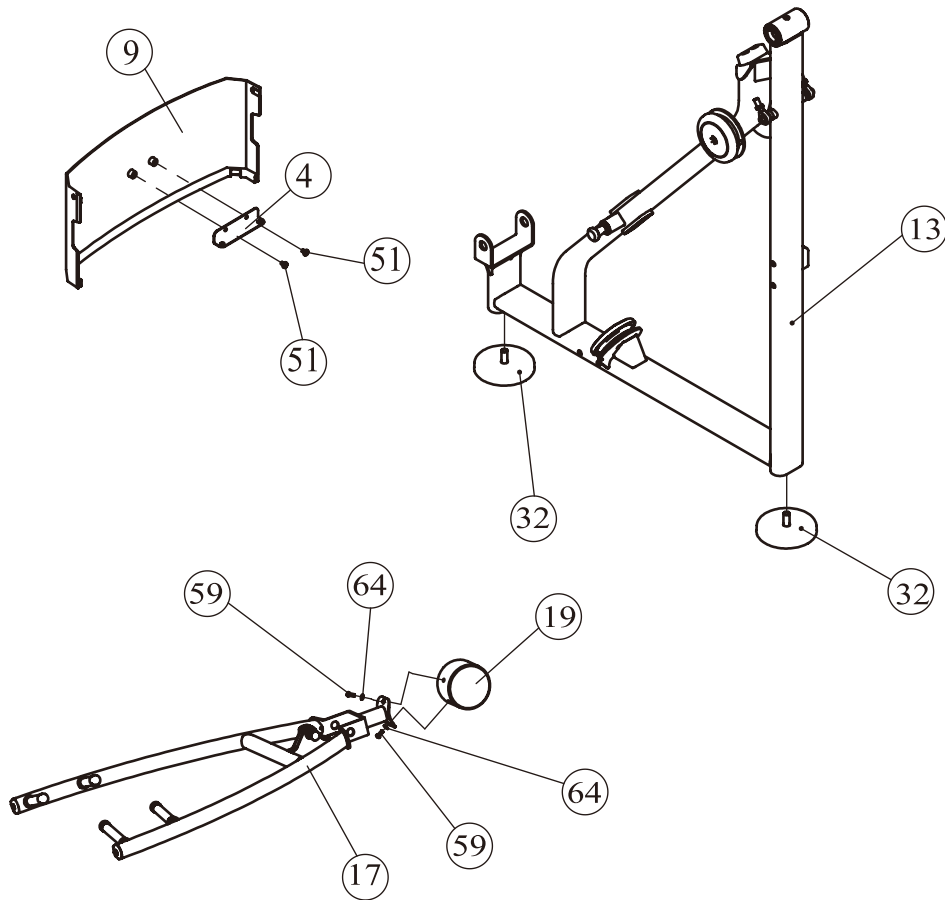
As with any assembled part, proper alignment and adjustment is critical. While tightening the fasteners, be sure to leave room for adjustments. Do not fully tighten the fasteners until instructed to do so. Be careful to assemble the components in the sequence presented in this guide.

Assembly

STEP 1

1. Attach two Adjustable Foot Plates (#25) to the Main Frame ASSY (#13).
2. Attach the Rear Bracket (#4) to the Top Rear Shroud (#9) using:
two M6*10 CRPHSw (#51)
3. Attach the Counter Poise Bracket (#19) to the Arm Frame ASSY (#17).

Note: Wrench Tighten Bolts.



Assembly

STEP 2

Attach the Bottom Cross Brace (#11) and the Rear Connection Frame (#12) to the Weight Stack Frame ASSY (#1) and the Main Frame ASSY (#13) using:

four M12*135 SHCS (#60)

two M12*30 SHCS (#59)

two M10*80 SHCS (#58)

two Plastic Cover(32)

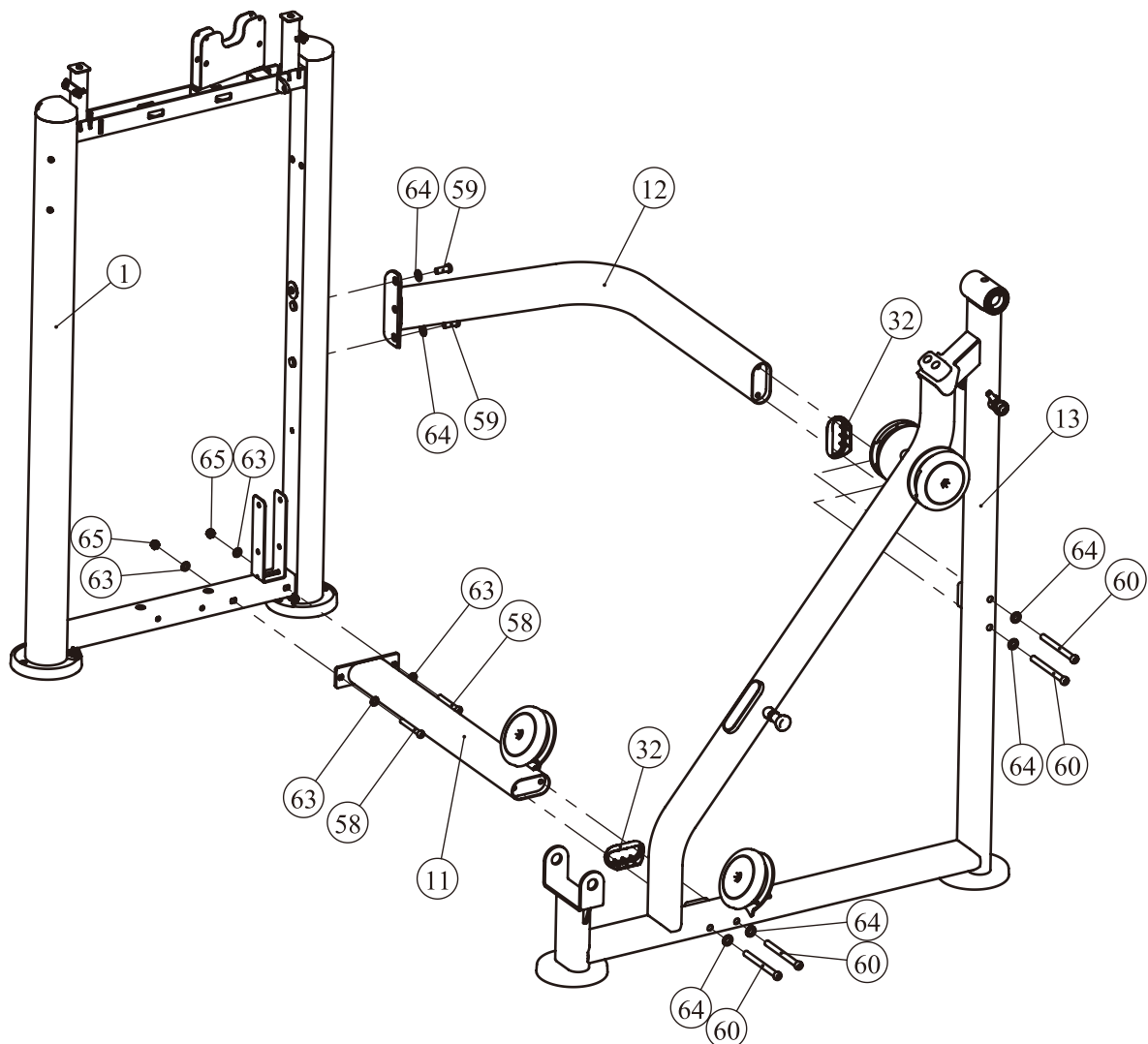
four $\Phi 11*\Phi 20*2$ Flat Washer (#63)

six $\Phi 13*\Phi 24*2.5$ Flat Washer (#64)

two M10 Nylon Lock Nut (#65)

Note: 1. Wrench Tighten Bolts and Nylon Lock Nuts.

2. Adjust the Adjustable Foot Plates to make the machines stable.



Assembly

STEP 4

Here is the assembly instruction for **160LBS Weights !**

1. Attach:

two Guide Rod $\Phi 19 \times 1242$ (#6)

two Weight Stack Space (#93)

one Top Plate (#5)

two Weight Rubber Bumper (#44)

fifteen Weight Plate 10LBS (#92)

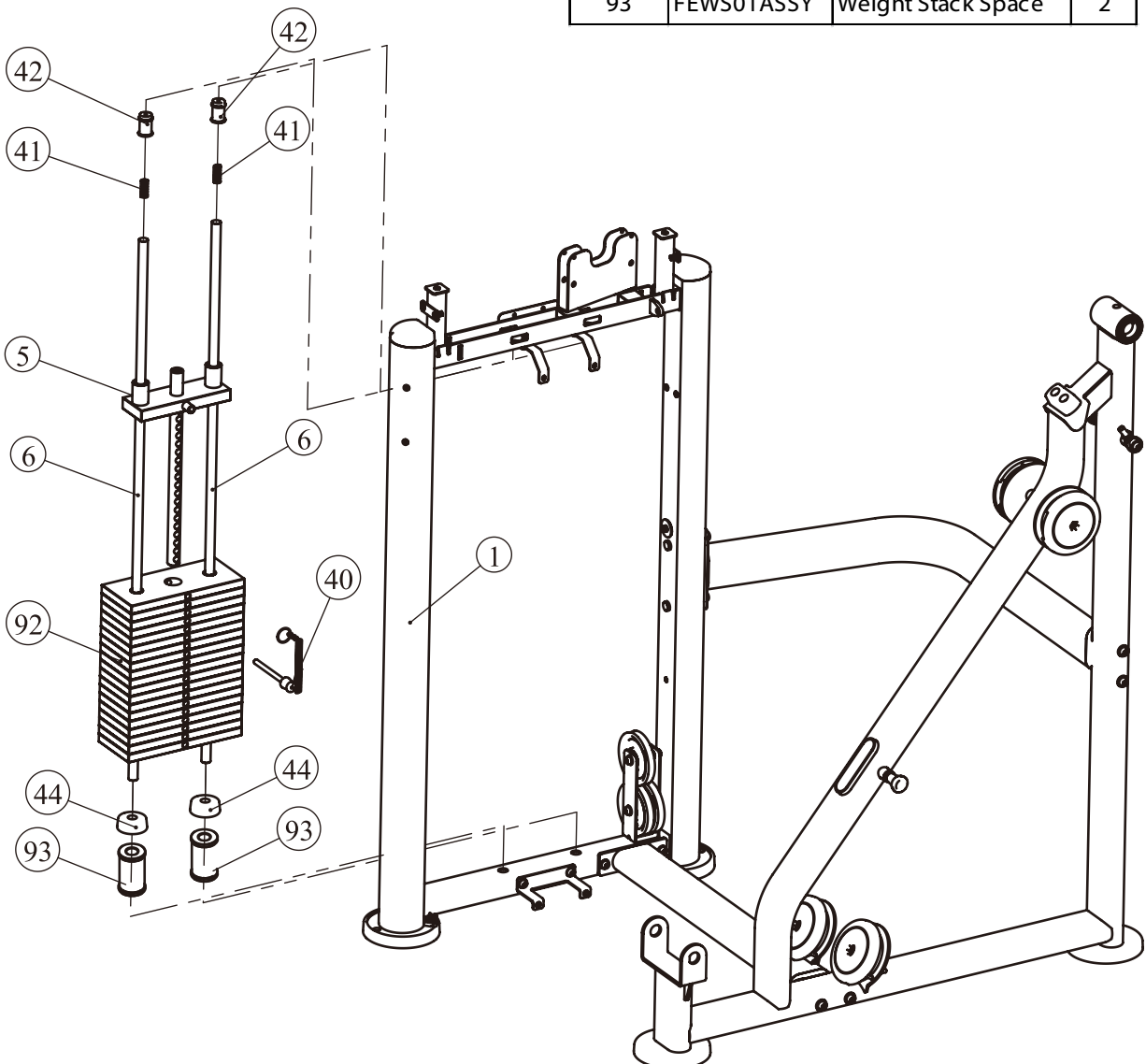
to the Weight Stack Frame ASSY (#1) using:

two Guide Rod Fixing Sleeve $\Phi 25 \times \Phi 19 \times 45$ (#42)

two Spring (#41)

2. Attach the Selector Pin W/Coil (#40) to the Top Plate (#5).

Grade No.	Part No.	Description	QTY
92	FE97193100	10LBS Weight Plate	15
93	FEWS01ASSY	Weight Stack Space	2



Assembly

STEP 4

Here is the assembly instruction for **200LBS Weights !**

1. Attach:

two Guide Rod $\Phi 19 \times 1242$ (#6)

nineteen Weight Plate 10LBS (#92)

two Weight Rubber Bumper (#44)

one Top Plate (#5)

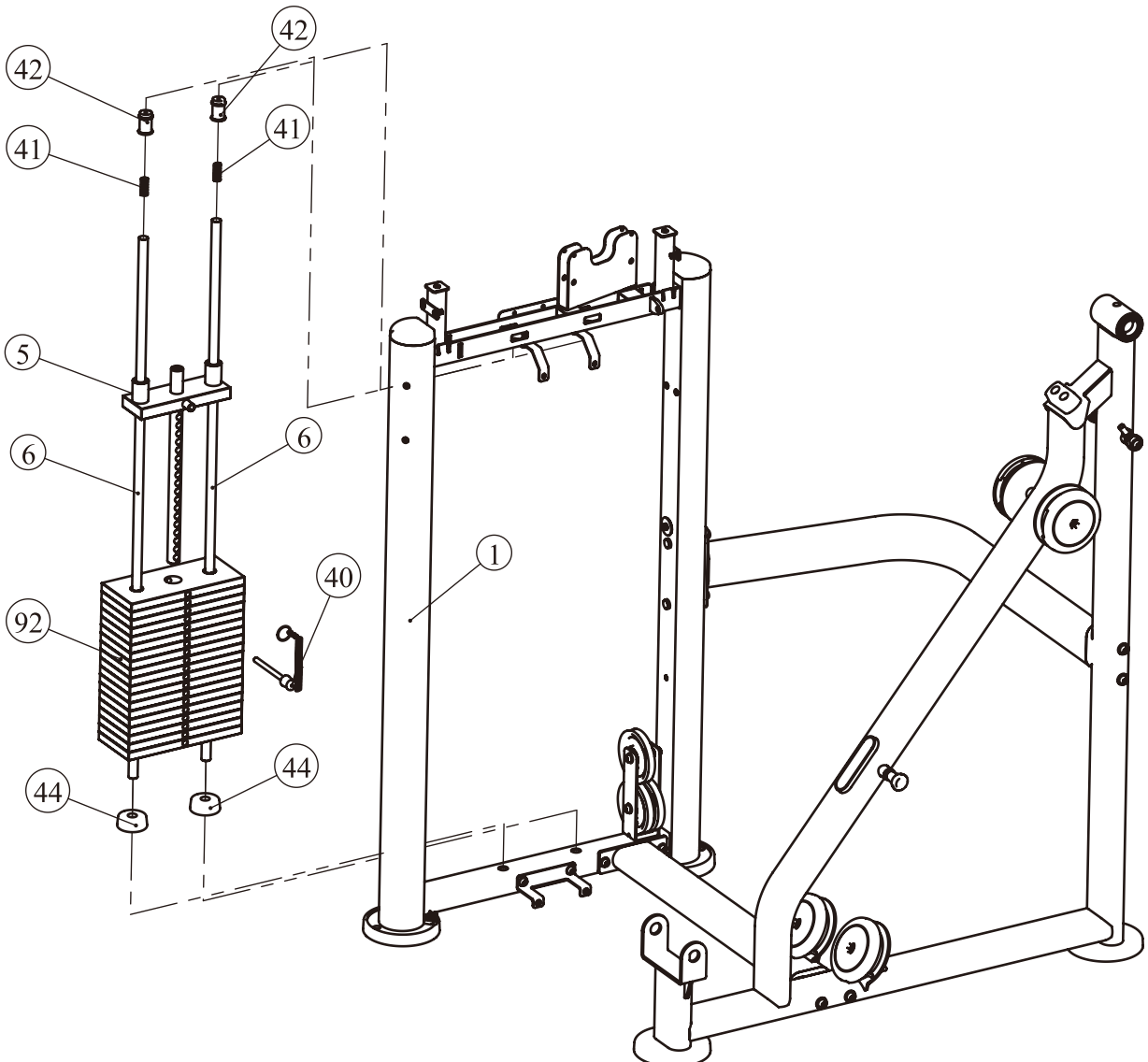
to the Weight Stack Frame ASSY (#1) using:

two Guide Rod Fixing Sleeve $\Phi 25 \times \Phi 19 \times 45$ (#42)

two Spring (#41)

2. Attach the Selector Pin W/Coil (#40) to the Top Plate (#5).

Grade No.	Part No.	Description	QTY
92	FE97193100	10LBS Weight Plate	19



Assembly

STEP 4

Here is the assembly instruction for **235LBS Weights !**

1. Attach:

two Guide Rod $\Phi 19 \times 1242$ (#6)
 two Weight Stack Space (#93)
 one Top Plate (#5)

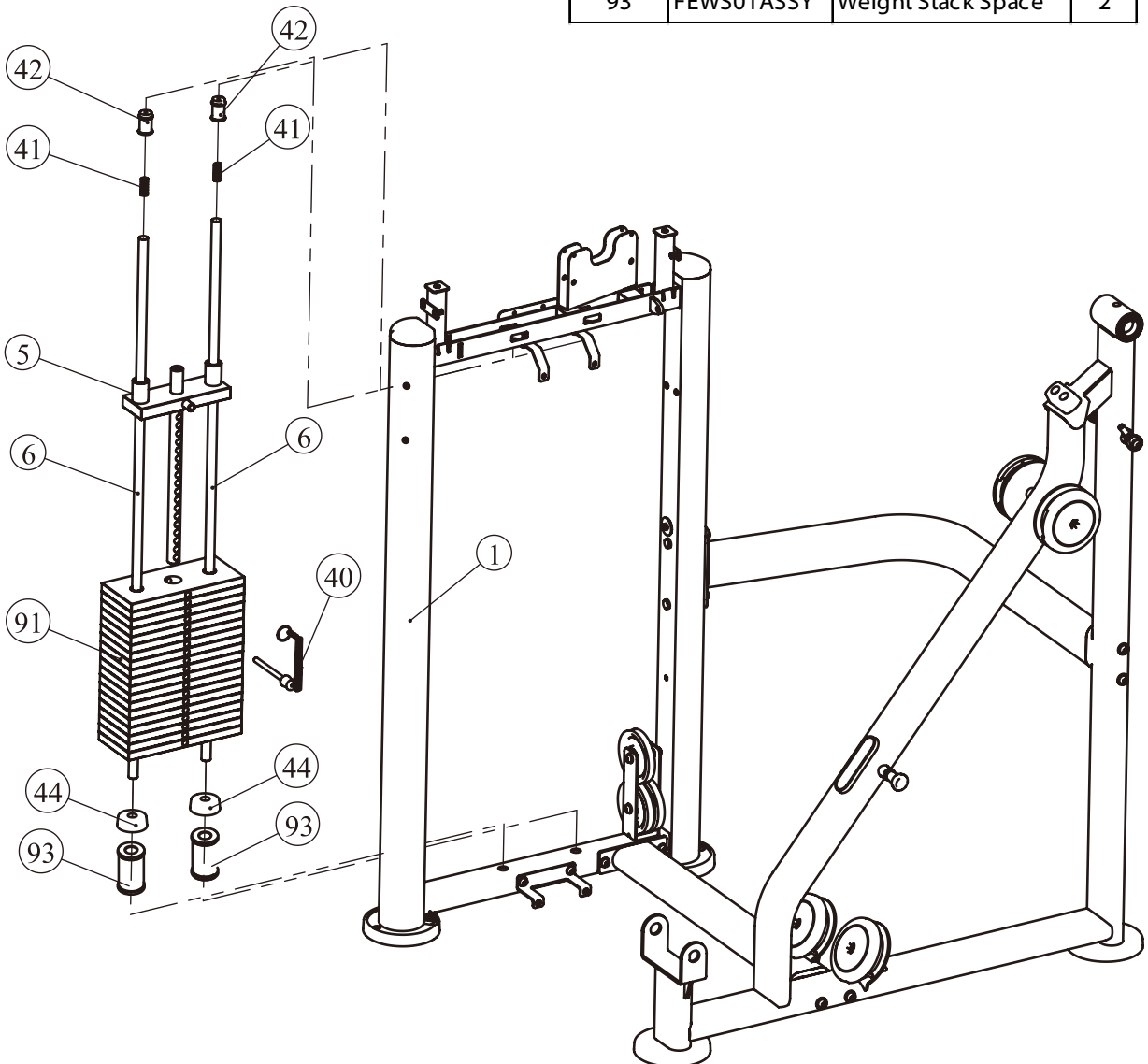
two Weight Rubber Bumper (#44)
 fifteen Weight Plate 15LBS (#91)

to the Weight Stack Frame ASSY (#1) using:

two Guide Rod Fixing Sleeve $\Phi 25 \times \Phi 19 \times 45$ (#42) two Spring (#41)

2. Attach the Selector Pin W/Coil (#40) to the Top Plate (#5).

Grade No.	Part No.	Description	QTY
91	FE97193200	15LBS Weight Plate	15
93	FEWS01ASSY	Weight Stack Space	2



Assembly

STEP 4

Here is the assembly instruction for **295LBS Weights !**

1. Attach:

two Guide Rod $\Phi 19 \times 1242$ (#6)

nineteen Weight Plate 15LBS (#91)

two Weight Rubber Bumper (#44)

one Top Plate (#5)

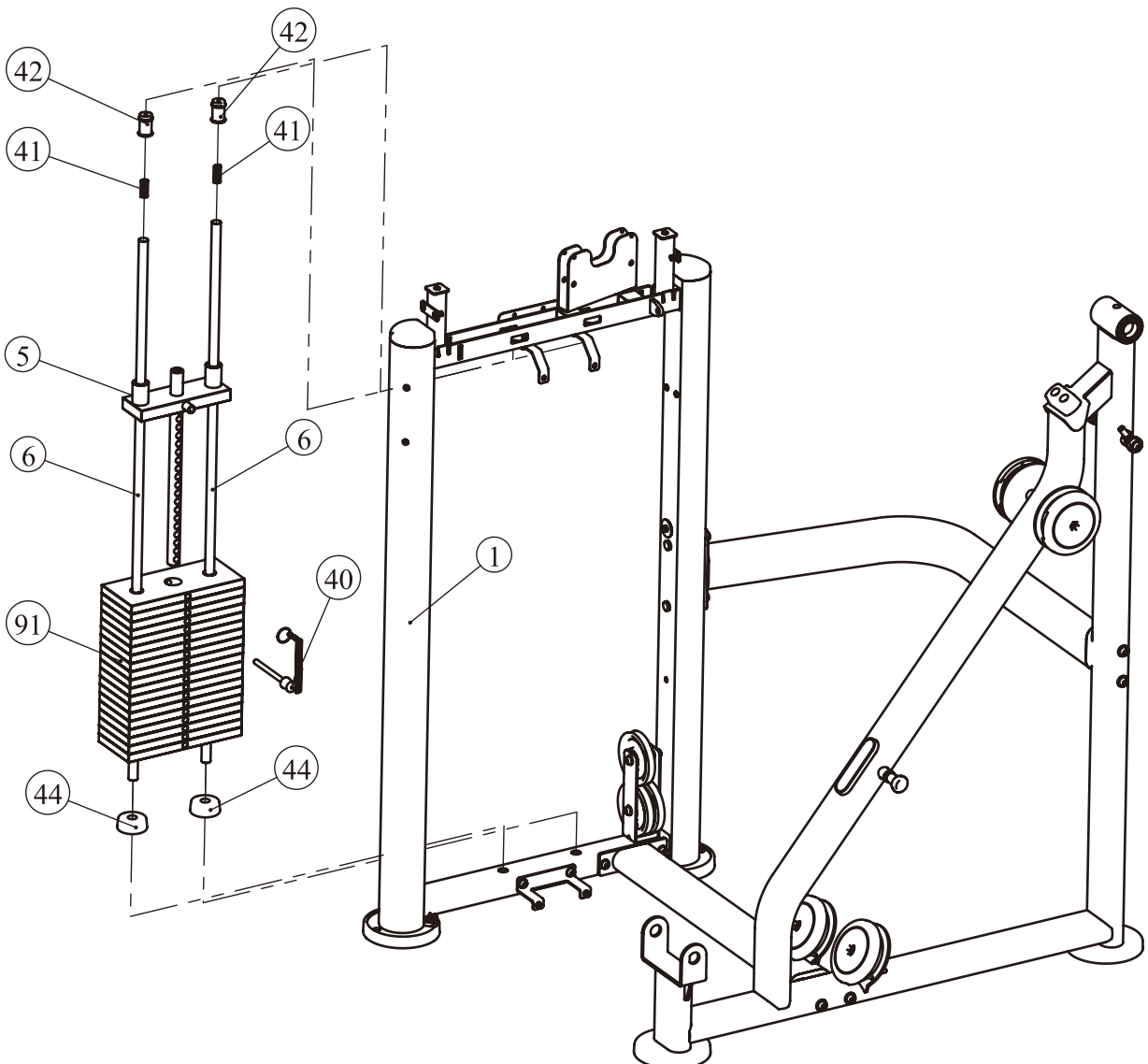
to the Weight Stack Frame ASSY (#1) using:

two Guide Rod Fixing Sleeve $\Phi 25 \times \Phi 19 \times 45$ (#42)

two Spring (#41)

2. Attach the Selector Pin W/Coil (#40) to the Top Plate (#5).

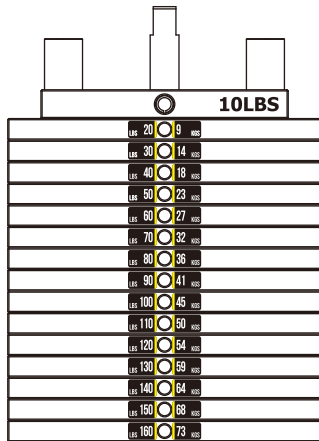
Grade No.	Part No.	Description	QTY
91	FE97193200	15LBS Weight Plate	19



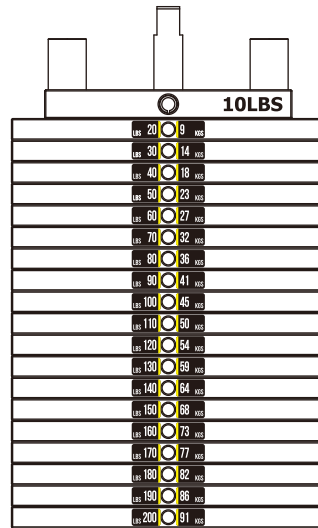
Assembly

All weight plate sticker paste schematic diagram

LBS 20	9
LBS 30	14
LBS 40	18
LBS 50	23
LBS 60	27
LBS 70	32
LBS 80	36
LBS 90	41
LBS 100	45
LBS 110	50
LBS 120	54
LBS 130	59
LBS 140	64
LBS 150	68
LBS 160	73
LBS 170	77
LBS 180	82
LBS 190	86
LBS 200	91
LBS 210	95
LBS 220	100
LBS 230	104

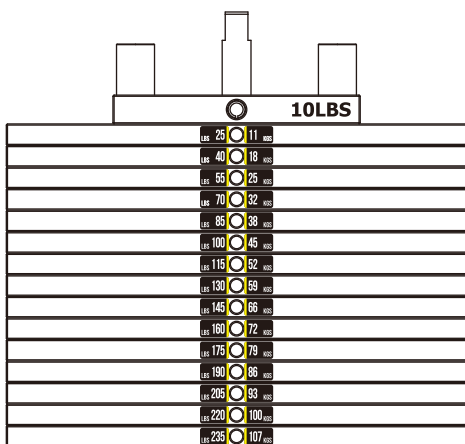


20-160LBS

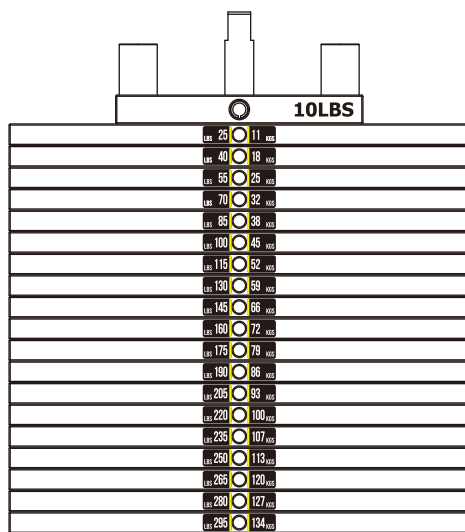


20-200LBS

LBS 25	11
LBS 40	18
LBS 55	25
LBS 70	32
LBS 85	38
LBS 100	45
LBS 115	52
LBS 130	59
LBS 145	66
LBS 160	72
LBS 175	79
LBS 190	86
LBS 205	93
LBS 220	100
LBS 235	107
LBS 250	113
LBS 265	120
LBS 280	127
LBS 295	134
LBS 310	141
LBS 325	147



25-235LBS



25-295LBS

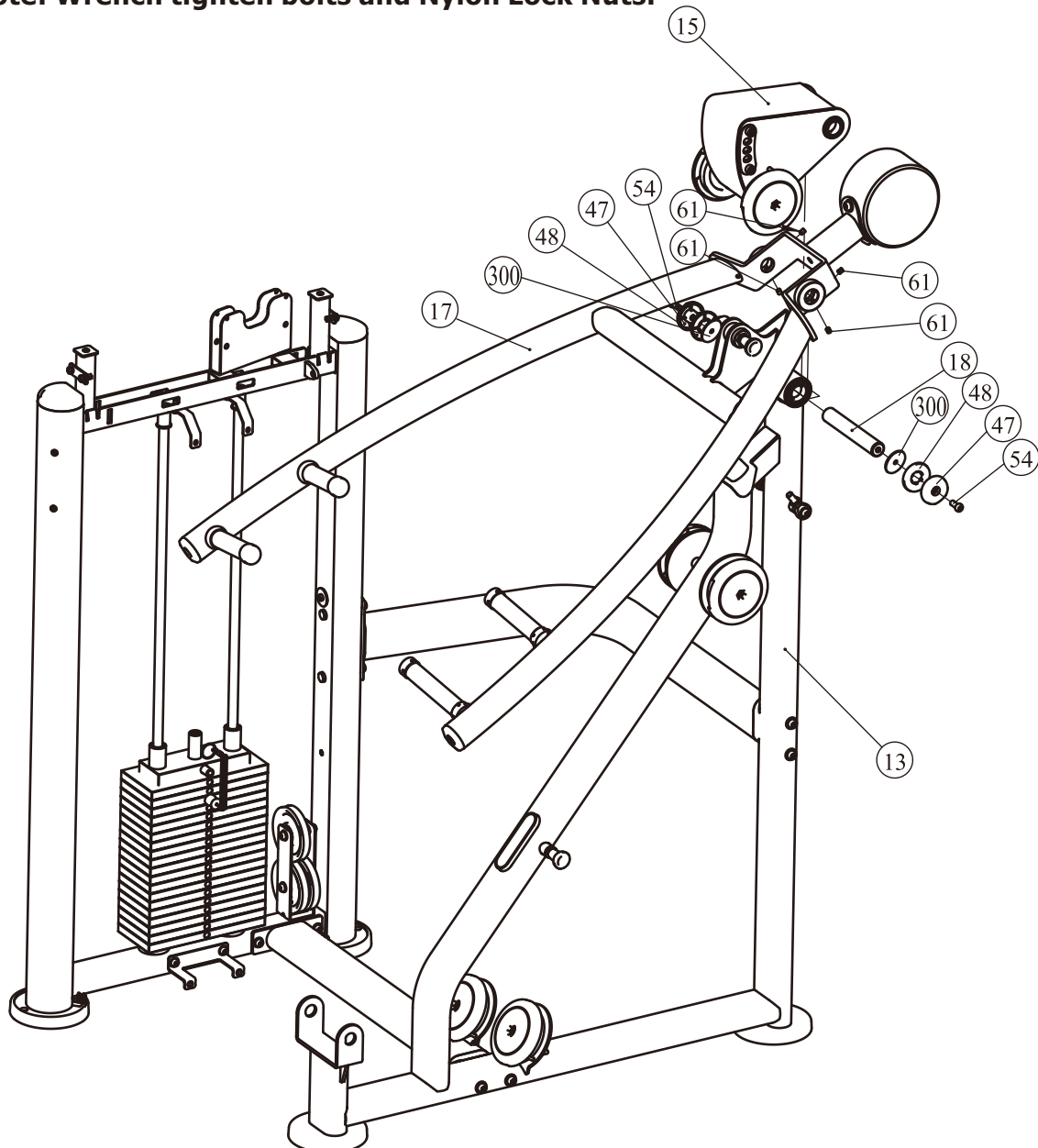
Assembly

STEP 5

Attach the Top Adjust Frame ASSY (#15) And the Arm Frame ASSY (#17) to the Main Frame ASSY (#13) using:

- one Shaft (#18)
- two $\Phi 62.5 \times 5$ Circle Ring (#48)
- two $\Phi 60$ Cap (#47)
- two M10*25 SHCS (#54)
- two Big Washer $\Phi 62 \times \Phi 10.5 \times 3$ (#300)

Note: Wrench tighten bolts and Nylon Lock Nuts.



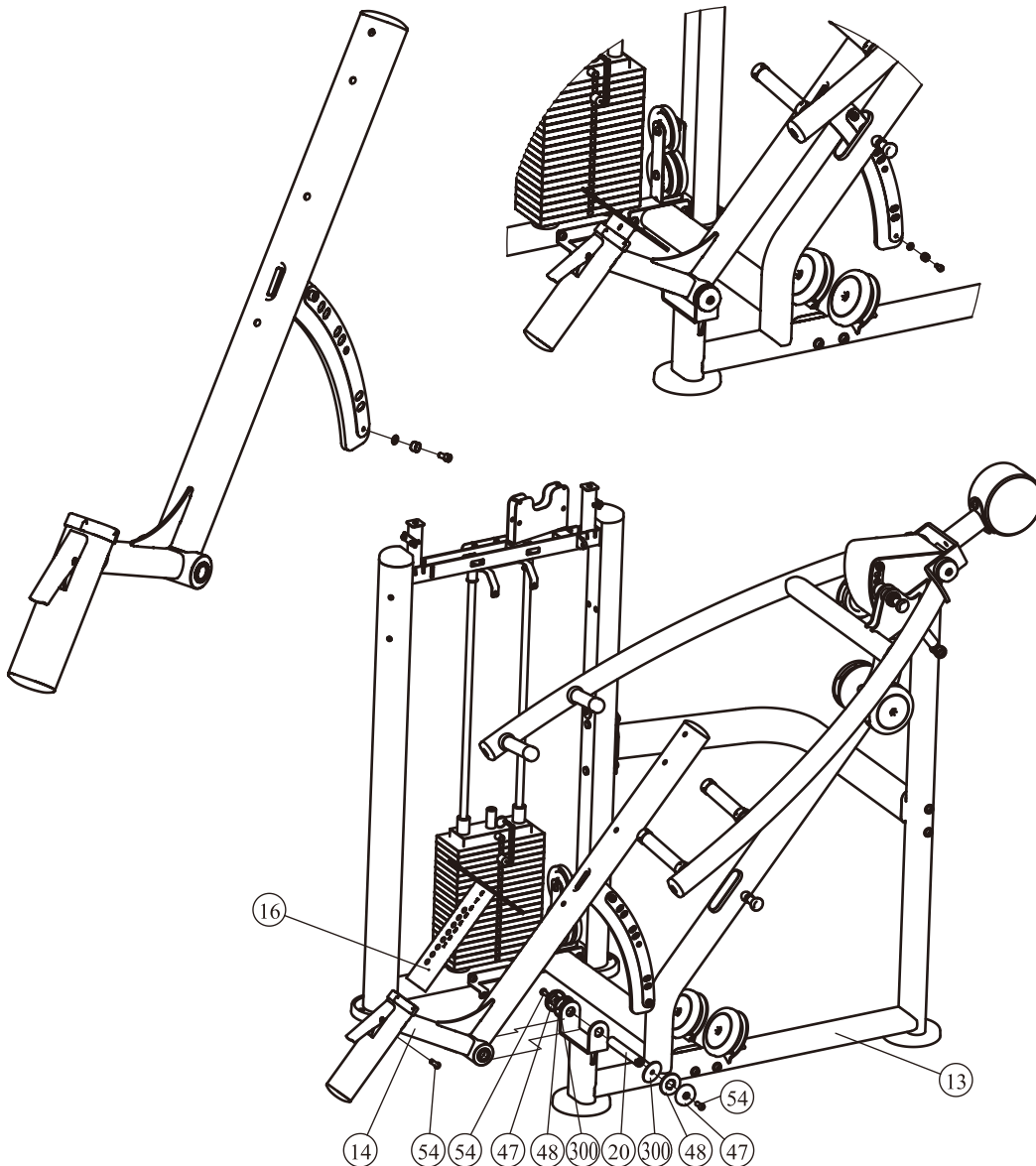
Assembly

STEP 6

Tips: Remove the Socket Head Cap Screw M8*15, Rubber Sleeve $\Phi 17*10.5$ and Flat Washer $\Phi 9*\Phi 16*1.6$ from the Seat and Back Pad ASSY. After the sixth step, Pack the parts back into the Seat and Back Pad ASSY.

1. Attach Seat and Back Pad Frame Assy (#14) to the Weight Main Frame ASSY (#13) using:
two $\Phi 62.5*5$ Circle Ring (#48) two $\Phi 60$ Cap (#47)
two M10*25 SHCS (#54) two Big Washer $\Phi 62*\Phi 10.5*3$ (#300)
2. Attach Seat Pad Support (#16) to the Seat and Back Pad Frame Assy (#14) using:
one M10*25 SHCS (#54)

Note: Wrench tighten bolts and Nylon Lock Nuts.



Assembly

STEP 7

1. Attach two 4.5" Pulleys (#24) to the Weight Stack Frame ASSY (#1) using:
two M10*50 SHCS (#56) four $\Phi 11*\Phi 20*2$ Flat Washer (#63)
two M10 Nylon Lock Nut (#65)
2. Attach two 4.5" Pulleys (#24) to the Double Pulley Bracket (#21) using:
two M10*50 SHCS (#56) four $\Phi 11*\Phi 20*2$ Flat Washer (#63)
two M10 Nylon Lock Nut (#65)
3. Take down one M10 Nylon Lock Nut and one M10*35 SHCS from the Tension Cable ASSY (#23), Attach the Tension Cable ASSY (#23) to the Top Plate (#5) and the Weight Stack Frame ASSY (#1) using:
one M10 Nylon Lock Nut (Down off) one M10*35 SHCS (Down off)
4. Attach the Cable ASSY (#22) to the Double Pulley Bracket (#24) and the Left Arm Frame ASSY (#17) and the Right Arm Frame ASSY (#13) using:
two Cable Connector (#45) two Cable Connector Jacket (#46)

Note: Wrench tighten bolts and Nylon Lock Nuts.

STEP 8

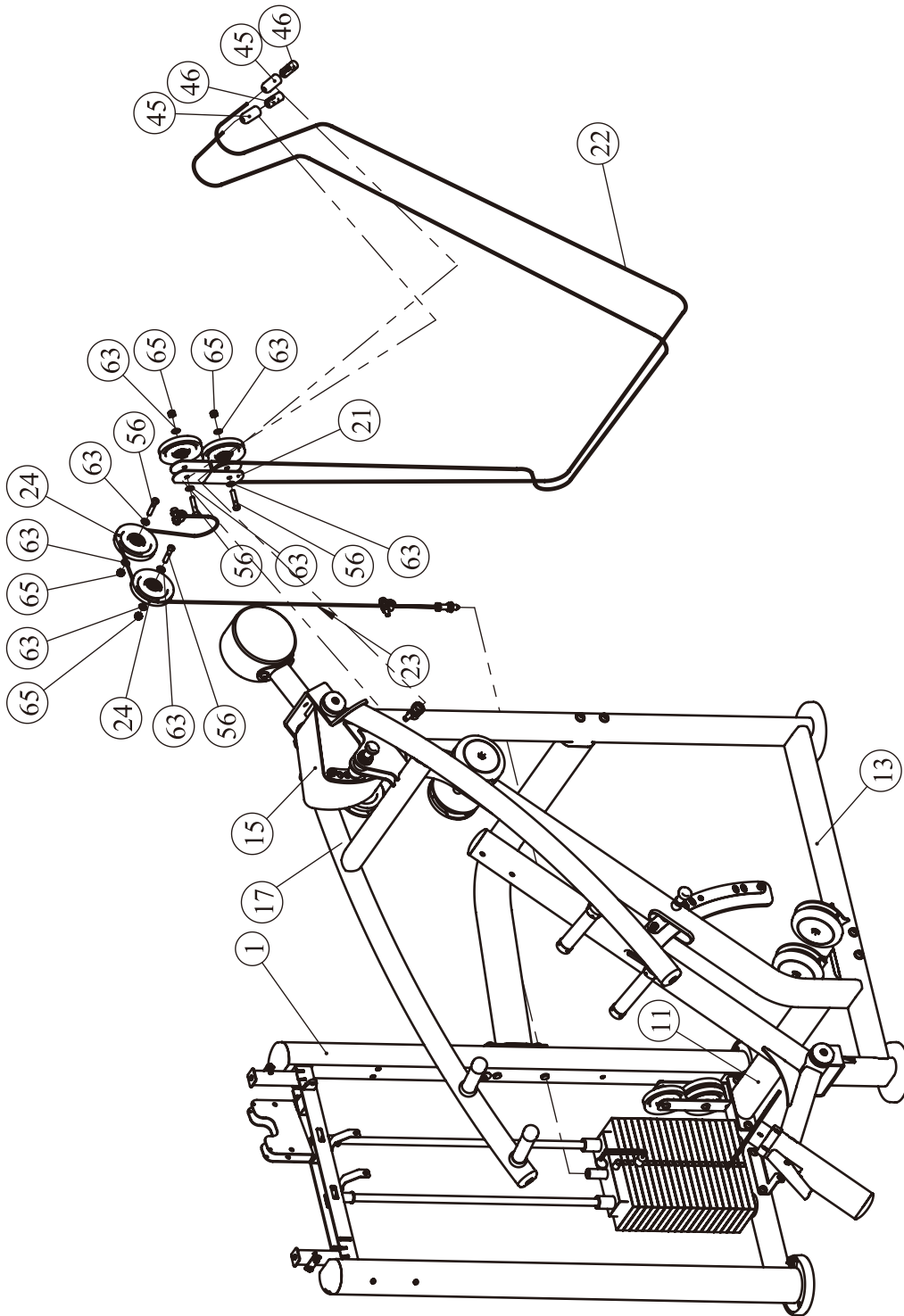
Tips: Pre-assemble the 8 bolt into the Weight Stack Frame ASSY and Bottom Bracket ASSY, not wrench tighten Bolts, Assemble the shroud with the bolt on. Then wrench tighten Bolts.

1. Attach the Front Shroud (#29) and the Right Front Shroud (#30) to the Weight Stack Frame ASSY (#1) and the Bottom Bracket ASSY (#3) using:
four M6*20 CRPHS (#50) two M6*16 CRPHS (#52)
2. Attach the Rear Shroud (#31) to the Weight Stack Frame ASSY (#1) and the Bottom Bracket ASSY (#3) using:
four M6*20 CRPHS (#50) two M6*16 CRPHS (#52)
3. Attach the Training Placard Cover (#8) to the Weight Stack Frame ASSY (#1) and the Top Bracket ASSY (#2) using:
two M6*20 CRPHS (#50) two M6*10 CRPHS (#51)
4. Attach the Top Rear Shroud (#9) to the Weight Stack Frame ASSY (#1) and the Top Bracket ASSY (#2) using:
four M6*20 CRPHS (#50)
5. Attach the Top Cover (#7) to the Weight Stack Frame ASSY (#1) using:
two M6*20 CRPHS (#50) two Spout Plug $\Phi 16.5*6.88$ (#43)
6. Attach the Cup Holder (#10) to the Weight Stack Frame ASSY (#1) using:
two M6*20 CRPHS (#50)

Note: Wrench tighten bolts.

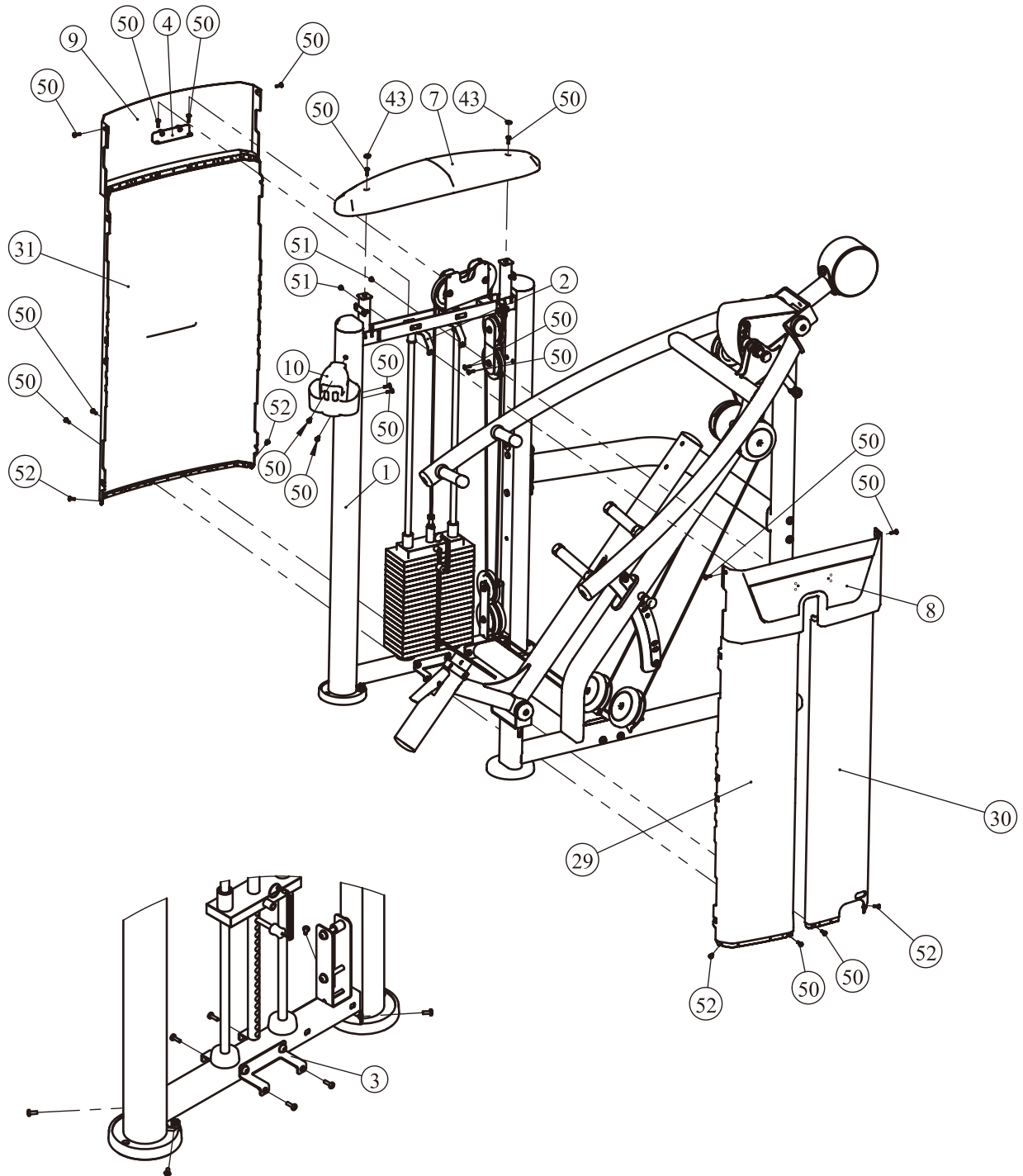
Assembly

STEP 7



Assembly

STEP 8



Assembly

STEP 9

1. Attach the Back Pad ASSY (#26) and the Head Pad ASSY (#27) to the Seat and Back Pad Frame ASSY (#14) using:

four $\Phi 11 * \Phi 20 * 2$ Flat Washer (#63)

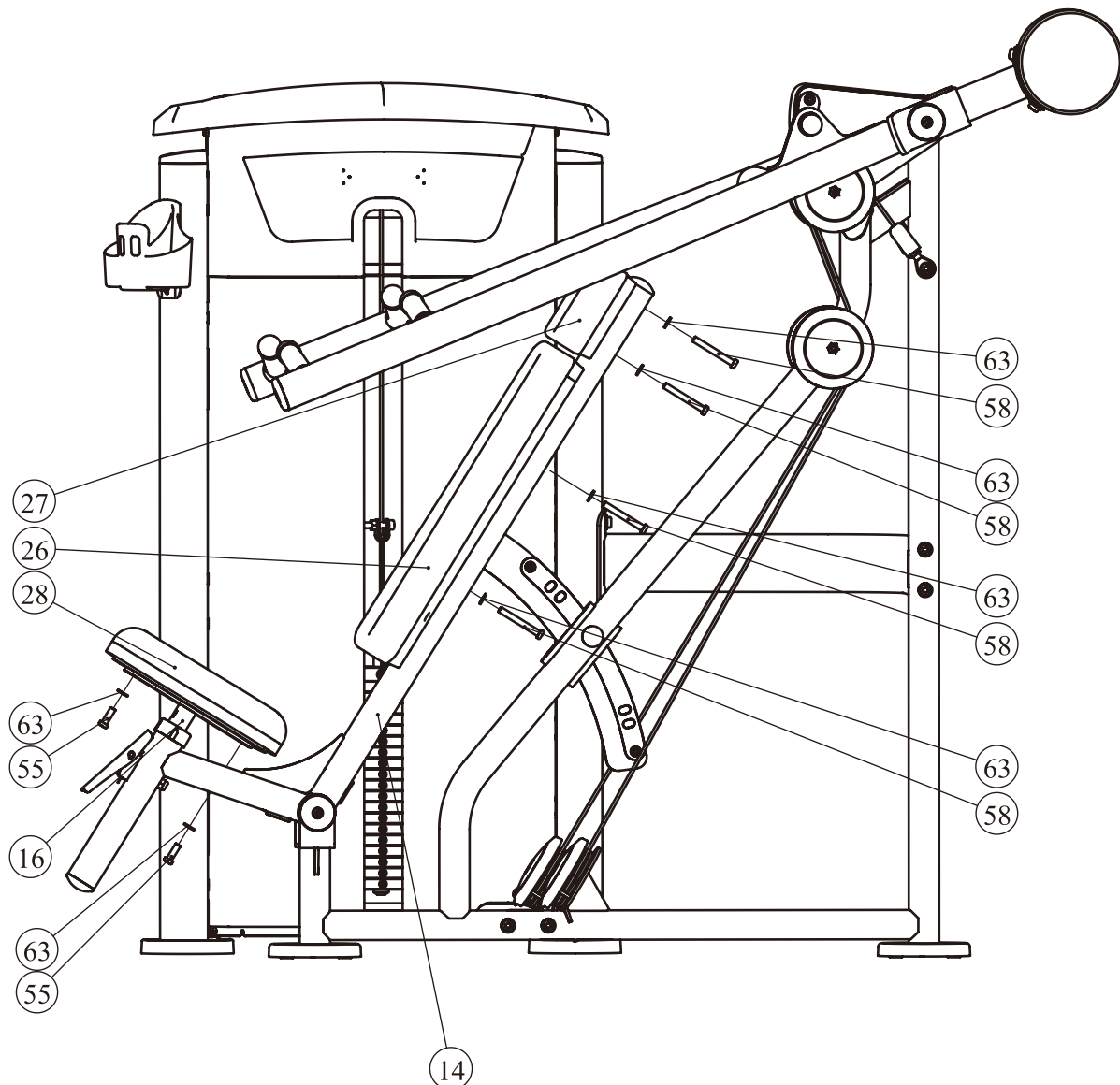
four M10*80 SHCS (#58)

2. Attach the Seat Pad (#28) to the Main Frame ASSY (#14) using:

two M10*30 SHCS (#55)

two $\Phi 11 * \Phi 20 * 2$ Flat Washer (#63)

Note: Wrench tighten bolts.



Adjust Instructions

The seat pad adjustment

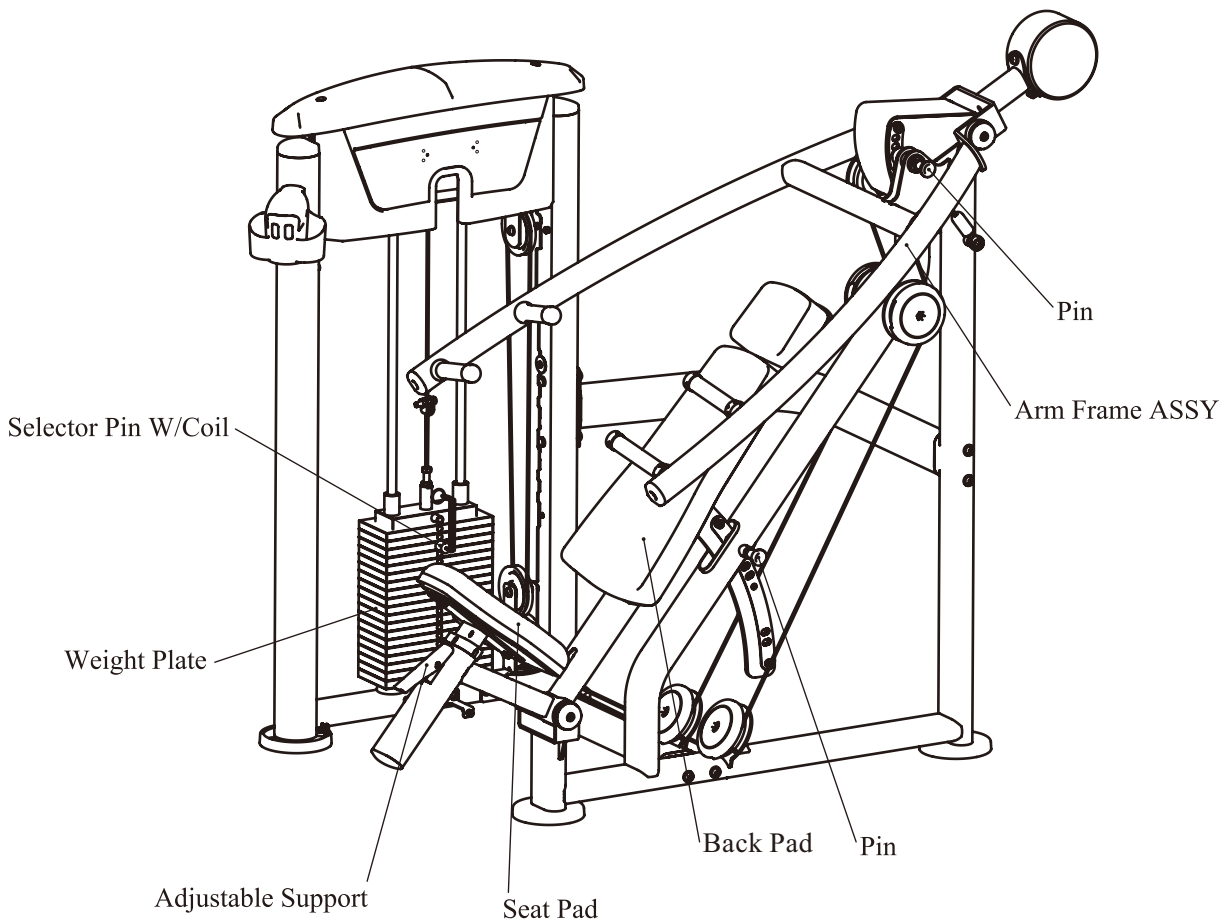
1. Push the Adjustable Support and adjust the Seat Pad to the desired position.
2. Make sure the pin gets into the hole completely.

The use Position adjustment

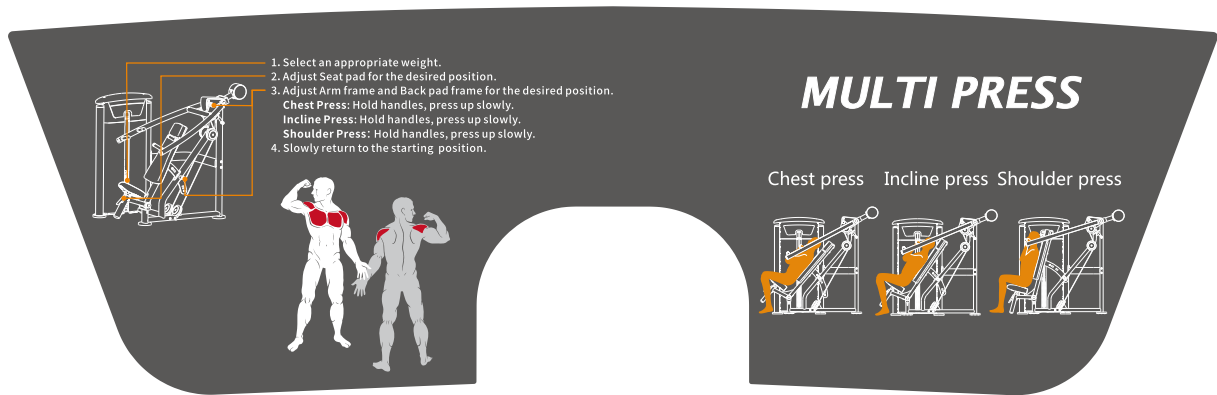
1. Pull the pin and adjust the Seat and back pad Frame ASSY to the desired position.
2. Pull the pin and adjust the Top Adjust Frame ASSY to the desired position.
3. Make sure the pin gets into the hole completely.

The use of Selector Pin W/Coil

1. Select an appropriate weight and put the Selector Pin W/Coil into the hole on it.
2. Make sure the Selector Pin W/Coil gets into the hole completely.



Exercise Instructions

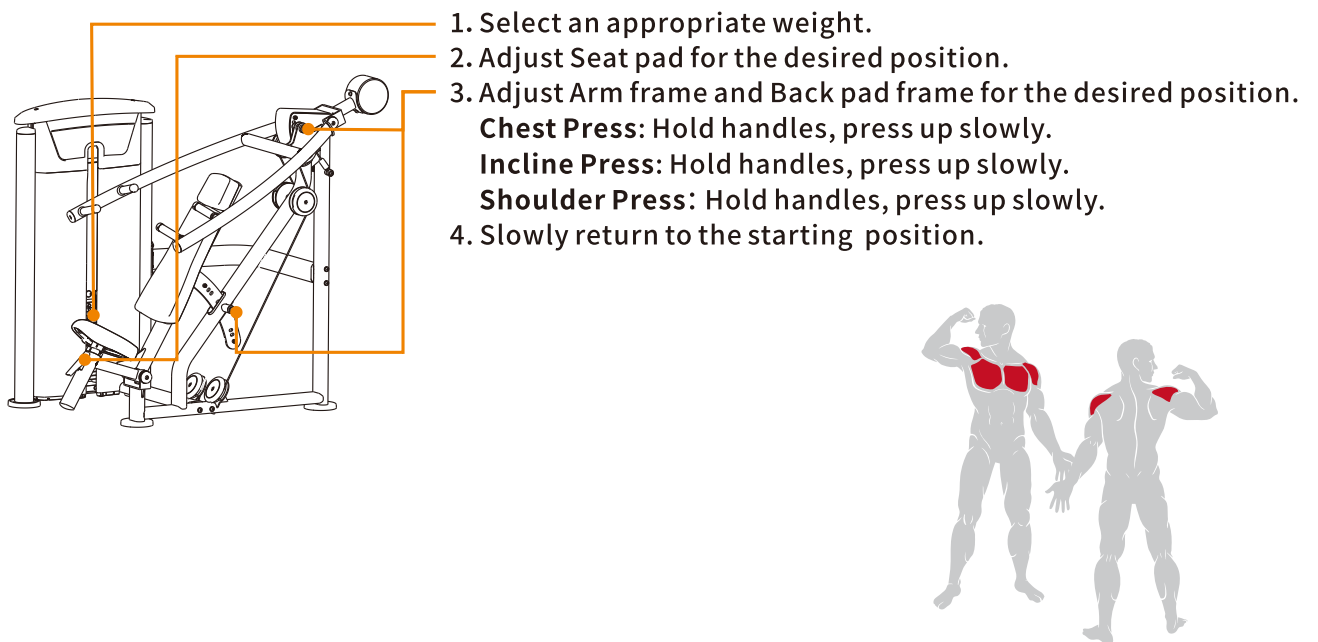


1. Select an appropriate weight.
2. Adjust Seat pad for the desired position.
3. Adjust Arm frame and Back pad frame for the desired position.
Chest Press: Hold handles, press up slowly.
Incline Press: Hold handles, press up slowly.
Shoulder Press: Hold handles, press up slowly.
4. Slowly return to the starting position.

MULTI PRESS

Chest press Incline press Shoulder press

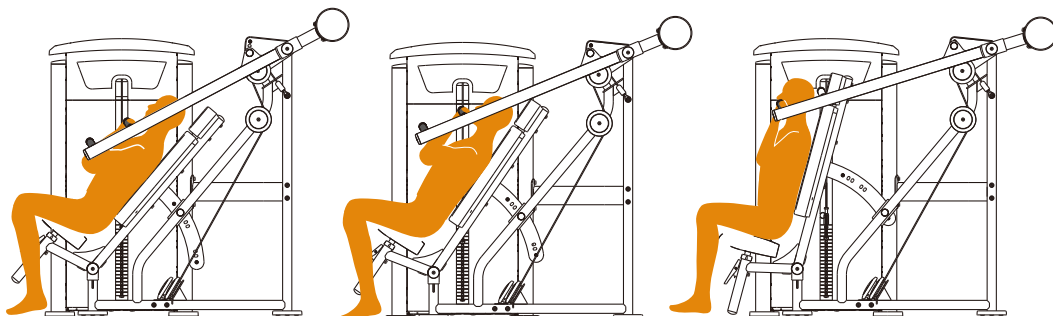
This diagram shows the Multi Press machine with three callout boxes pointing to the weight stack, seat pad, and arm/back frames. Below the machine are two human figures: a female figure with red highlights on her chest and shoulders, and a male figure with red highlights on his shoulders.



1. Select an appropriate weight.
2. Adjust Seat pad for the desired position.
3. Adjust Arm frame and Back pad frame for the desired position.
Chest Press: Hold handles, press up slowly.
Incline Press: Hold handles, press up slowly.
Shoulder Press: Hold handles, press up slowly.
4. Slowly return to the starting position.

This diagram provides a more detailed view of the machine's adjustment points. It includes the same three callout boxes as the previous diagram. To the right, there are two human figures with red highlights on their chest and shoulders, similar to the previous diagram.

Chest press Incline press Shoulder press



Maintenance Schedule

ROUTINE	COMMERCIAL MAINTENANCE	HOME MAINTENANCE	LATEST DATE ENTRY						
Inspect; Links, Pull Pins, Snap Locks, Swivels, Weight Stack Pins	DAILY	WEEKLY							
Clean; Upholstery	DAILY	WEEKLY							
Inspect; Cables or Belts and their tension	DAILY	WEEKLY							
Inspect; Accessory Bars, and Handles	WEEKLY	3 MONTHS							
Inspect; All Decals	WEEKLY	3 MONTHS							
Inspect; All Nuts and Bolts, Tighten if needed	WEEKLY	3 MONTHS							
Inspect; Anti-Skid Surface	WEEKLY	3 MONTHS							
Clean & Lubricate; Guide Rods with a Teflon (PTFE) based lubricant (Superlube)	MONTHLY	3 MONTHS							
Lubricate; Seat Sleeves, Turcite Bushings, Linear Bearing	MONTHLY	3 MONTHS							
Clean and Wax; All Glossy Finishes	6 MONTHS	YEARLY							
Repack with Grease; Linear Bearings	6 MONTHS	YEARLY							
Replace; Cables, Belts and Connecting Parts	YEARLY	3 YEARS							

Your equipment comes with a commercial maintenance decal. For personal, in home use, please follow the home maintenance schedule listed above.

General Maintenance Information

Links, Pull-Pins, Snap Hooks, Swivels, Weight Stack Pins:

- * Check all pieces for signs of visible wear or damage.
- * Check springs in snap hooks and pull-pins for proper tension and alignment.
- * If the spring sticks or has lost its rigidity, replace it immediately.

Upholstery:

- * To ensure prolonged upholstery life and proper hygiene, all upholstered pads should be wiped down with a damp cloth after every workout.
- * Periodically take the time to use a mild soap or an approved vinyl upholstery cleaner to deter the onset of cracking or drying. Avoid using any abrasive cleaners or cleaners not intended for use on vinyl.
- * Replace ripped or worn upholstery immediately.
- * Keep sharp or pointed objects clear of all upholstery.

Decals:

- * Inspect and familiarize yourself with any safety warnings or other user information posted on each decal.

Nuts and Bolts:

- * Inspect all nuts and bolts for any loosening and tighten if needed.
- * Go through a re-tightening sequence periodically to ensure that all hardware is tensioned proper.

Anti-Skid Surfaces:

- * These surfaces are designed to supply secure footing and need to be replaced if they appear worn or become slippery.

Belts and Cables:

- * We use only high quality belt, and mil-spec cables.
- * Visually inspect the belts and cables for fraying, cracking, peeling or discoloration.
- * While the machine is not in use, carefully run your fingers along the belt or cable to feel for thinning or bulging areas.
- * Replace belts and cables immediately at the first signs of damage or wear. Do not use equipment until belts or cables have been replaced.

Belt and Cable Tension:

- * Referring to the Owners Manual, when belts or cables are used check all bolt attachments to be sure they are properly attached.
- * Check slack in cables and re-adjust cable tension if needed.

Seat Sleeves, Guide Rods:

- * Wipe down adjusting tubes with a dust free rag before applying lubricant.
- * Lubricate seat sleeves and Guide Rods with a Silicon or Teflon based lubricant spray.

Linear Bearings:

- * Referring to the Owners Manual carefully disassemble the bearing from its housing and place a finger full of light grease (lithium, super lube, etc.) into the inside of the bearing. Using your finger, press the grease into the ball-bearings and their tracks. Repeat until the ball-bearing tracks are full of grease. Insert the shaft back into the bearing and wipe off excess grease.

PLEASE KEEP THIS FOR YOUR RECORDS

Weight Training Tips

Use this manual to guide you through the basic exercises you can perform on your equipment. To gain maximum results and avoid possible injury, consult a fitness professional to develop your complete exercise program.

Always consult your physician before starting any exercise program.

To be successful in your exercise program, it is important to develop an understanding of the basic principles of strength training. Now that you have your equipment, it is only natural that you want to get started immediately. First, determine a set of realistic goals and objectives for yourself. By deciding on an exercise plan that is right for you prior to starting, you will contribute significantly to your success.

Warm up properly before engaging in weight resistance training. Stretching, yoga, jogging, calisthenics or other cardiovascular exercise can help prepare your body for the heavier workload of lifting weights.

Learn how to perform the exercise correctly before using heavy weight. Correct form is important to avoid injury and to ensure that you work the proper muscle groups.

Know your limitations. If you are new to weight training or are embarking on an exercise regimen after a long layoff, start slowly and build foundational strength over a longer period of time.

Pay attention to your breathing. Exhale when you exert is a general rule of thumb. Never hold your breath.

