



eSsence 130

Instruction Manual



HONYA CO., LTD
www.reefoctopus.com



Dear Customer

Thank you for choosing Octo, a quality product manufactured by HONYA CO.,LTD. In order for you to safely use our product for maximum results, please read the instruction prior to use. We would strongly suggest that you retain this Instruction for future reference.

Overview

- Loaded with Innovations
- 10 over years of cumulative experience in the design and manufacturing of Skimmers,our S-130 are loaded with innovative human centric features.
- 16 Steps Water Outlet Adjustments to ensure that fine tuning of water output adjustments are possible. Design with special slanting cut grooves to ensure an even outflow which minimises splashes.
- 25 Angled Grooves + Apertures on the Bubble Plate for maximising constant micro air bubbling, with a Vortex Churn effect which extends reaction time.
- 4 Quick Releases at the Base Plate of the Skimmer allow User to quickly and conveniently access the inner body of the Skimmer, no Screwdriver needed.

Features & Benefits

- Twist & Lift Collection Cup for easy maintenance
- Up to 12% Quieter with Integrated Silencer
- Detachable Neck for easy access maintenance
- Angled Grooves + Apertures for Vortex Churn, extends reaction time
- Quick Release to conveniently access inner body
- Angled Slanting cut grooves to ensure an even outflow
- 16 Steps Water Output Adjustment
- Sleek Wine-Shaped Smooth Cone Body

Product Specification

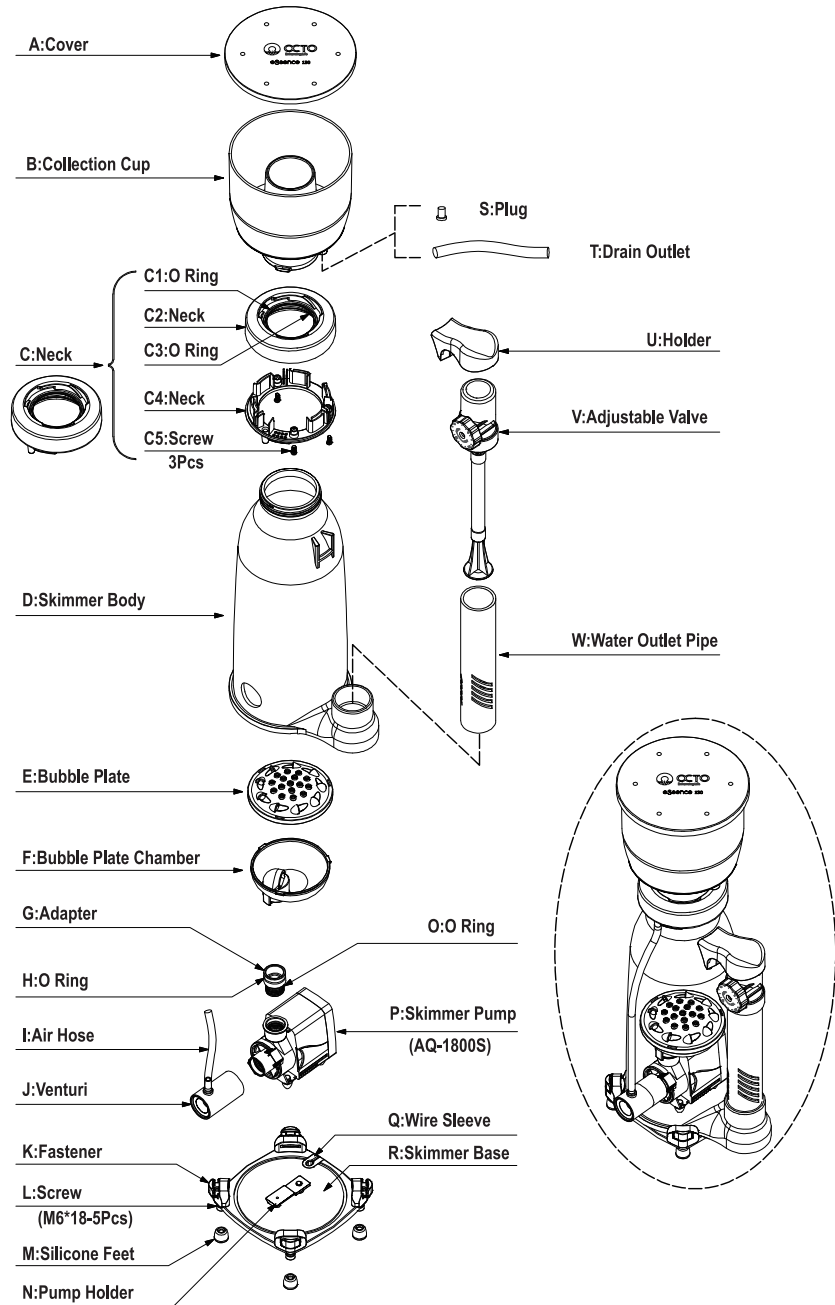
Skimmer

Item No.	Product	Cup Diameter		Neck Diameter		Footprint		Height		Fit pump	Tank Volume	
		mm	inch	mm	inch	mm	inch	mm	inch		L	US Gal
120501	S-130	140	5.5	60	2.4	210*175	8.2*6.8	520	20.5	AQ-1800S	600	158

Skimmer Pump

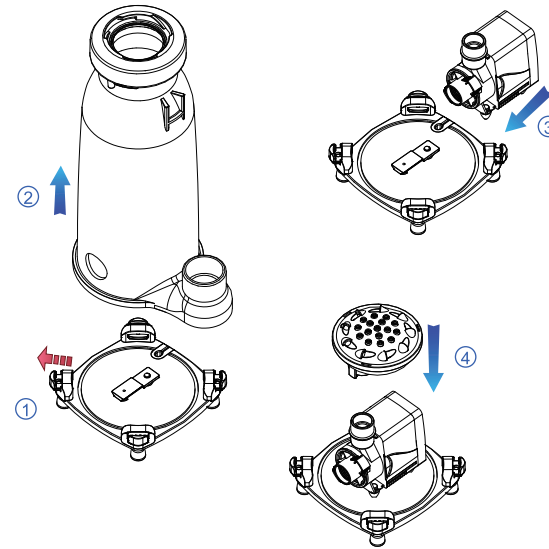
Product	Model No.	Wet/Dry	Air Intake				Power		Maximum Flow Rate			
			50Hz		60Hz		50Hz	60Hz	50Hz		60Hz	
			LPH	GPH	LPH	GPH	W	W	LPH	GPH	LPH	GPH
S-130	AQ-1800S	Both	480	127	480	127	10	11	530	140	530	140

Explosion Chart for eSsence 130



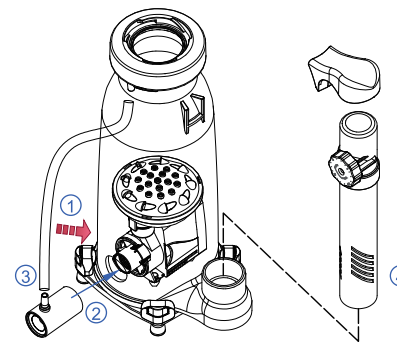
Assembly

STEP 1



1. Release the 4 Fasteners
2. Detach the Skimmer Body
3. Insert the Pump onto the Skimmer Base
4. Attach the Bubble Plate and Chamber to the Skimmer Pump Outlet

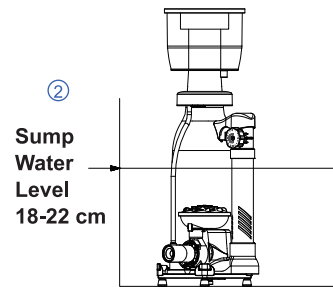
STEP 2



1. Place the Skimmer Body onto the Skimmer Base and lock Fasteners
2. Insert the Venturi to the Intake of the Pump
3. Insert the Air Hose
4. Assemble the Skimmer Outlet Pipe and Adjustable Valve

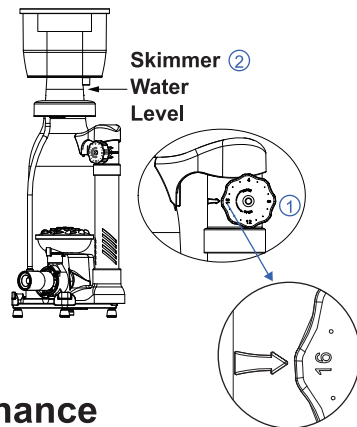
Assembly

STEP 3



- 1.Position the Skimmer into the Sump
- 2.For optimal performance the water in the Sump should be between 18-22cm(7.1-8.7")
- 3.Maintain consistence water level. Fluctuating water level will affect Skimmers' performance

STEP 4



- 1.Ensure that the Adjustable Valve (part V) is fully open, before starting Pump
- 2.Adjust the valve until the Skimmer water level is between the Skimmer's Neck and just below the Collection Cup
- 3.A New Skimmer will need a run-in period of 1-2 weeks before stabilising. During this time, please monitor water level to prevent overflowing into the Collection Cup.

Maintenance

- Collection Cup (part B): should be cleaned at least once every 7 -10 days, depending on the organic waste collected.
- Skimmer Body: It is recommended that you clean the Skimmer Body once every 3-6 months. Clean and Rinse off with fresh water only.
- Neck: Remove and Clean Neck (part C) every 2-3 months or when Air Intake is impeded. You will need a screw driver to remove this part, please also ensure all O rings are in place and not to over tighten the screws during re-assembling.
- Pump: It is recommended to clean the Pump once every 3 - 6 months. Clean the Impeller, and if necessary soak the Pump and Impeller in White Vinegar to dissolve stubborn calcium deposits

Safety Tips

- Check the voltage shown on the label of the Pump, it must corresponds to the voltage of the main supply.
- Never allow the Pump to run dry
- Do not touch the Socket with wet hands
- Do not clean the Skimmer with any cleaning agents

Warranty

Dear Customer,

Thank you for choosing OCTO, a quality product manufactured by HONYA CO.,LTD.

Your product shall be under warranty against defects of material and workmanship under the Terms and Conditions.

HONYA CO.,LTD warrants your products against defects in MATERIAL and WORKMANSHIP, for the period of warranty. During the warranty period, this product will be repaired or replaced without charge (excluding incidentals), at the sole discretion of HONYA CO.,LTD.

- 1.In the unlikely event that servicing of your product is required during the warranty period, kindly bring the product to one of our Authorised Dealer where you purchased the product from, with Proof of Purchase and this Warranty Card. Without the Proof of Purchase, the warranty period will be determined by the product serial number at the sole discretion of HONYA CO.,LTD.
- 2.Warranty excludes and does not cover any Damage, Loss, Malfunction, Defect or other issues arising from or related to:
 - 2.1.Inappropriate or improper installation, set-up or use, as according in the User's Manual,
 - 2.2.Any repair/modification by any person not authorised and approved by HONYA CO.,LTD,
 - 2.3.Any consumables or moving parts due to normal wear and tear (e.g. O Ring, Sealing Sing, Impeller)
 - 2.4.Negligence, Accidents or Mishandling,
 - 2.5.Transportation or Shipping,
 - 2.6.Natural or Man-Made disasters,
 - 2.7.Corrosion, electrical surge, power failure
- 3.The warranty extends only to products purchased from HONYA CO.,LTD through our Official Authorised Dealers.
- 4.HONYA CO.,LTD is not liable for any direct or indirect, special, incidental, punitive, exemplary, consequential or economic damage or loss arising from the use of our productsor related to the warranty.
- 5.HONYA CO.,LTD liability under or in relation to the warranty is limited to the cost of replacing the product with the same or an equivalent product, or of repairing the product, whichever is lower.
- 6.HONYA CO.,LTD reserves all rights to the final interpretation and amendment (without prior notice) of the terms and conditions in this warranty card.

Warranty Period of HONYA CO.,LTD Productsare as listed below:

1 Year Warranty

All Skimmer, Reactor Body, DC Pump Adapter and Control Module, Aquarium Tank and Furniture.

Pumps – OTP Pumps

2 Years Warranty

Pumps - AQ, HY, DC

HONYA CO.,LTD is committed to continuous product development, we hereby reserve the right to revise the product specifications or designs without prior notice.

For any further enquiry/assistance and latest product updates, kindly send us an email with your contact details at info@reefocopus.com.