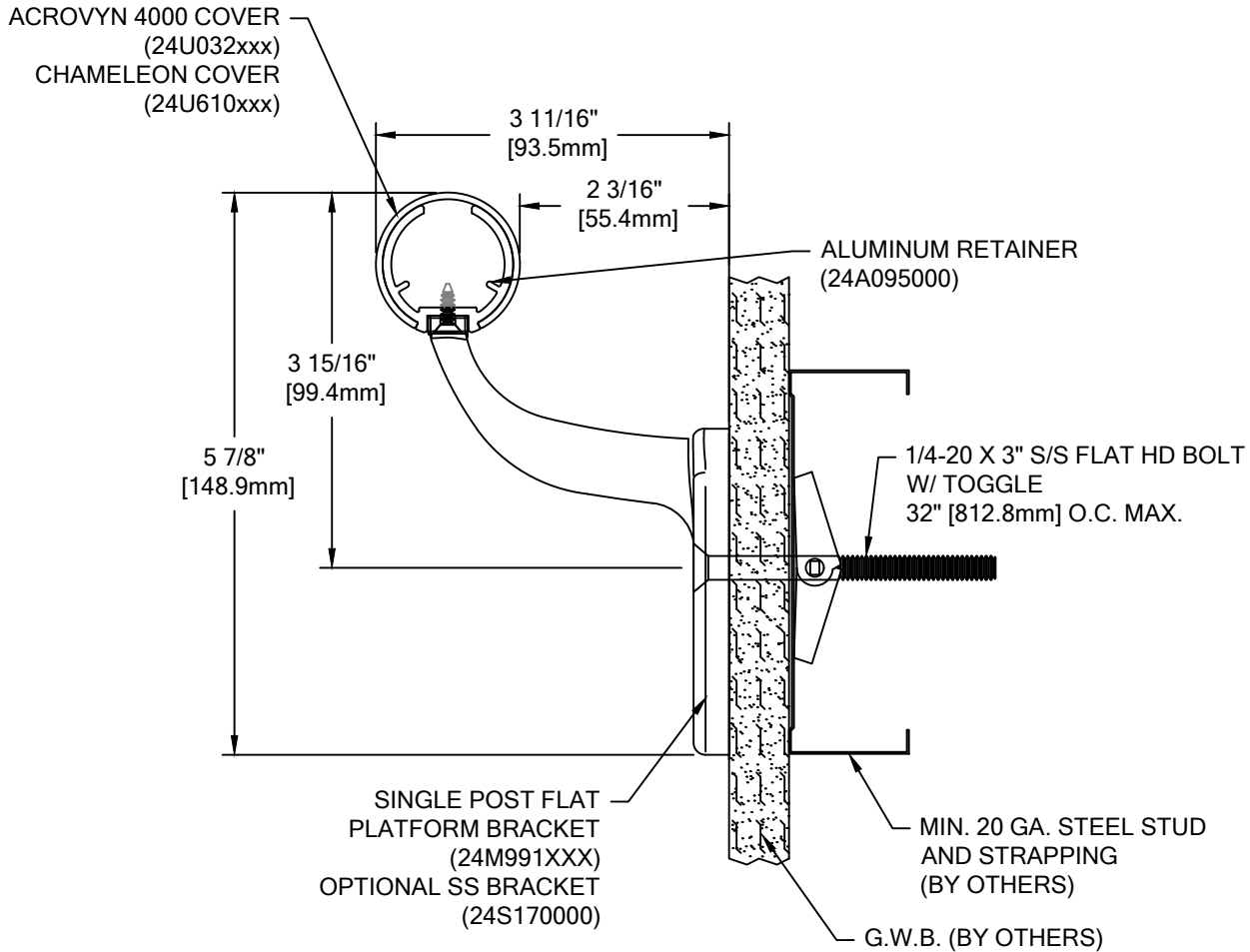



COLOR: _____
 TOP RAIL: _____
 *BRACKETS: _____
 *END CAPS: _____
 COLOR TO BE SELECTED FROM ONE OF CS STANDARD COLORS.
 *BRACKETS ARE AVAILABLE WITH A POWDER COAT FINISH. PLEASE ADVISE POWDER COAT FINISH
 STAINLESS STEEL END CAPS AND INSIDE/OUTSIDE CORNERS ALSO AVAILABLE.

TOTAL L/F REQ'D	LEFT END CAPS	RIGHT END CAPS	O.S. REQ'D



P-RAN ACROVYN 4000 WITH INTERNATIONAL OFFSET

WALL CONDITION	SPECIFIED FASTENER	DRILL DIAMETERS		CS PART NUMBER
		WALL	RETAINER	
STEEL STUD/GYPSUM WALL	1/4-20 X 3" S/S FLAT HEAD BOLT/TOGGLE WING	3/4"	N/A	90H184002
CONCRETE/CONC. BLOCK	1/4" X 1 3/4" S/S FLAT HEAD MASONRY ANCHOR	3/16"	N/A	90H390000
WOOD STUD/GYPSUM WALL	#14 X 3" S/S PHILLIPS FLAT HEAD WOOD SCREW	7/32"	N/A	90H538004

 Hughesville, PA 800.233.8493 570.546.5941 Mississauga, ON 888.895.8955 905.274.3611 www.c-sgroup.com © Copyright 2018 Construction Specialties, Inc.	PROJECT:	REVISION:
	JOB NO.:	F&F:
	CUSTOMER:	
	REP:	DATE:
	DRAWN BY:	SHEET NO: