

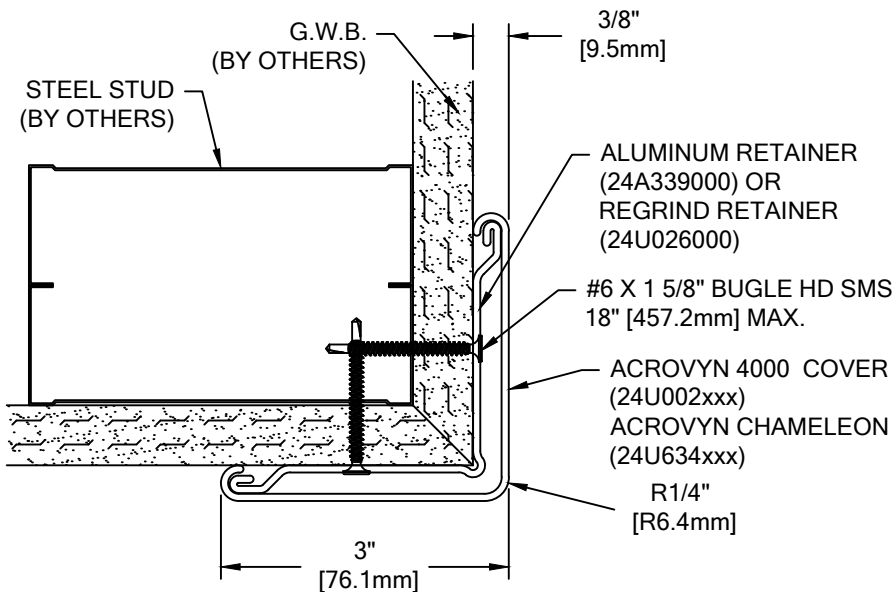
COLOR:
CORNER GUARD:
 COLOR TO BE SELECTED FROM ONE OF CS STANDARD COLORS.
 *OPTIONAL ACCENT REVEAL AVAILABLE. ONLY AVAILABLE IN BLACK.

RETAINER:
 AVAILABLE WITH EITHER REGRIND OR ALUMINUM RETAINER. PLEASE SPECIFY.

QTY. REQ'D	UNIT HEIGHT


NOTES:

1. SURFACE MOUNT CORNER GUARD AVAILABLE IN FULL AND PARTIAL HEIGHT. PLEASE SPECIFY DESIRED UNIT HEIGHT IN TABLE IN TOP RIGHT CORNER.



SM-20N SERIES ACROVYN 4000

WALL CONDITION	SPECIFIED FASTENER	DRILL DIAMETERS		CS PART NUMBER
		WALL	RETAINER	
STEEL STUD/GYPSUM WALL WOOD STUD/GYPSUM WALL	#6 X 1 5/8" BUGLE HEAD SHEET METAL SCREW	N/A	1/8"	90H079002
CONCRETE/CONCRETE BLOCK	AF-6 PLASTIC ANCHOR #10 X 1 1/2" PHILLIPS PAN HEAD SMS	1/4"	9/32"	90H039004 90H189002
CONCRETE/CONCRETE BLOCK END CAP ATTACHMENT	1/8" BLIND RIVET #8 SAE FLAT WASHER STEEL PLATED	N/A	5/32"	90H111002 90H010003

 Hughesville, PA 800.233.8493 570.546.5941 Mississauga, ON 888.895.8955 905.274.3611 www.c-sgroup.com © Copyright 2017 Construction Specialties, Inc.	PROJECT:	REVISION:
	JOB NO.:	F&F:
	CUSTOMER:	
	REP:	DATE:
	DRAWN BY:	SHEET NO: