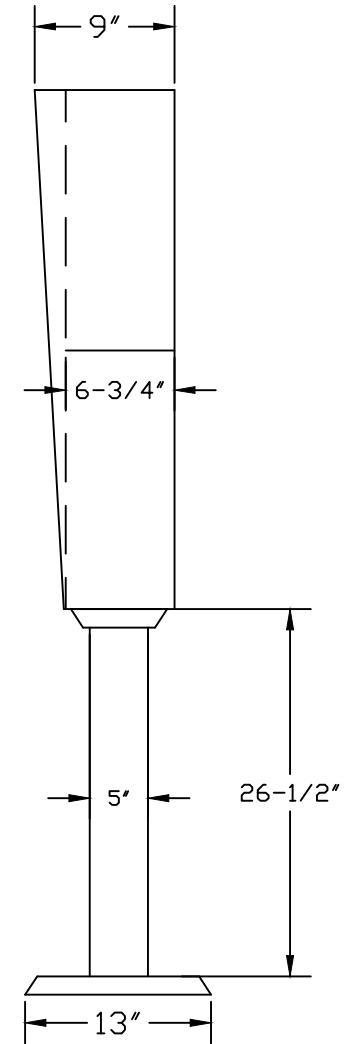
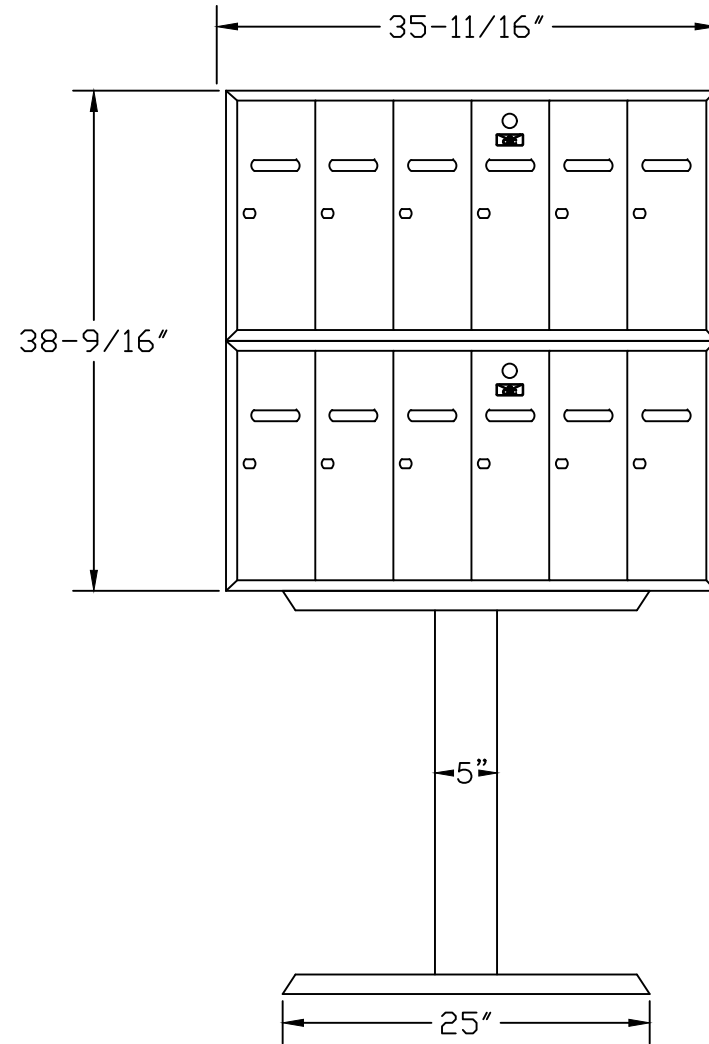


DRAWING NOT TO SCALE



GENERAL SPECIFICATIONS:

MODEL NS-202-DD DOUBLE DECK ON PEDESTAL  
SURFACE MATERIALS: EXTRUDED ALUMINUM  
COMPARTMENT MATERIALS: 24 GA GALVANIZED  
FINISH: CLEAR ANODIZED  
LOCKS: 5 PIN CAM TYPE, WITH 3 KEYS  
1000 CHANGES  
STRIATED FINISH FOR SCRATCH RESISTANCE

SPECIFIC LAYOUT DESCRIPTION:

1 UNIT OF 6+6 GANG  
TOTAL OF: 12 SINGLE TENANT DOORS (16"H X 5-1/2"W)  
  
- ANODIZED ALUMINUM SHROUD (EXTERIOR USE)  
- STEEL PEDESTAL

