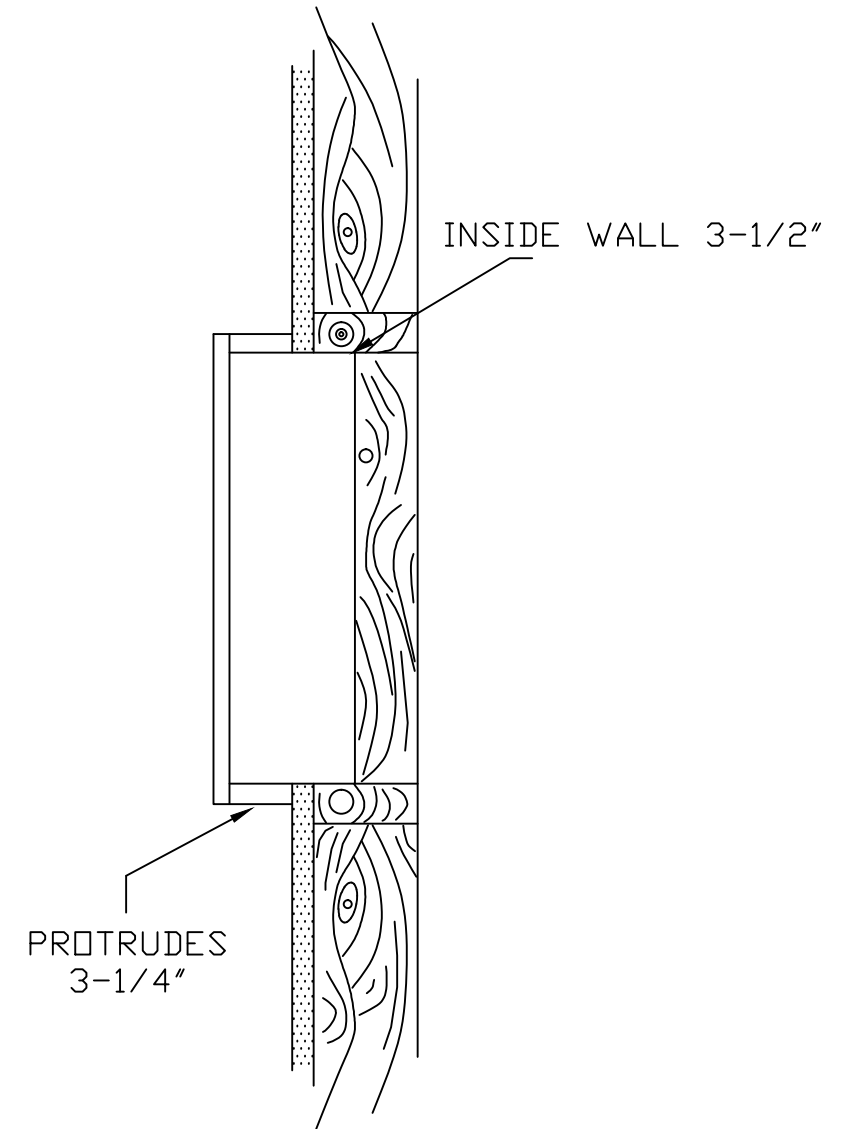
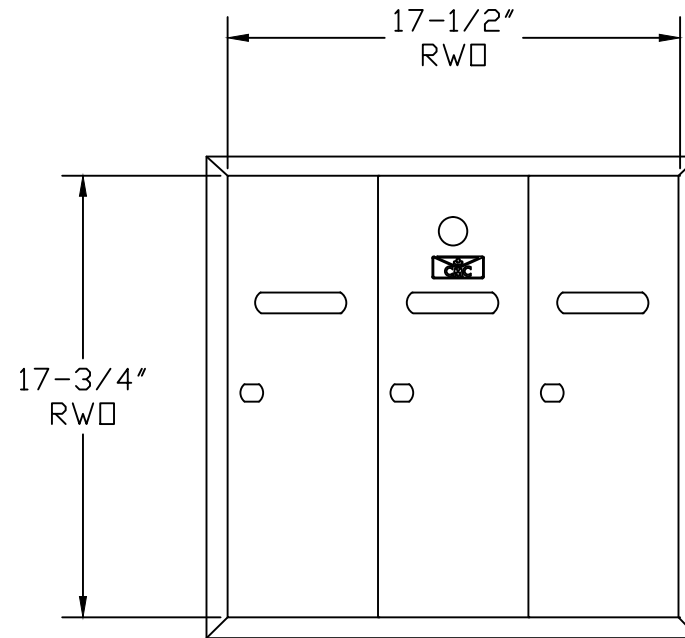


DRAWING NOT TO SCALE, R.W.O. - ROUGH WALL OPENING
WALL MUST BE REINFORCED FOR PROPER INSTALLATION PLUMB, LEVEL AND SQUARE



GENERAL SPECIFICATIONS:
MODEL NS-101-SR (SEMI-RECESSED)
SURFACE MATERIALS: EXTRUDED ALUMINUM
COMPARTMENT MATERIALS: 24 GA GALVANIZED
FINISH: CLEAR ANODIZED
LOCKS: 5 PIN CAM TYPE, WITH 3 KEYS
1000 CHANGES
STRIATED FINISH FOR SCRATCH RESISTANCE

SPECIFIC LAYOUT DESCRIPTION:
1 UNIT OF 3 GANG
TOTAL OF: 3 SINGLE TENANT DOORS (16"H X 5-1/2"W)

