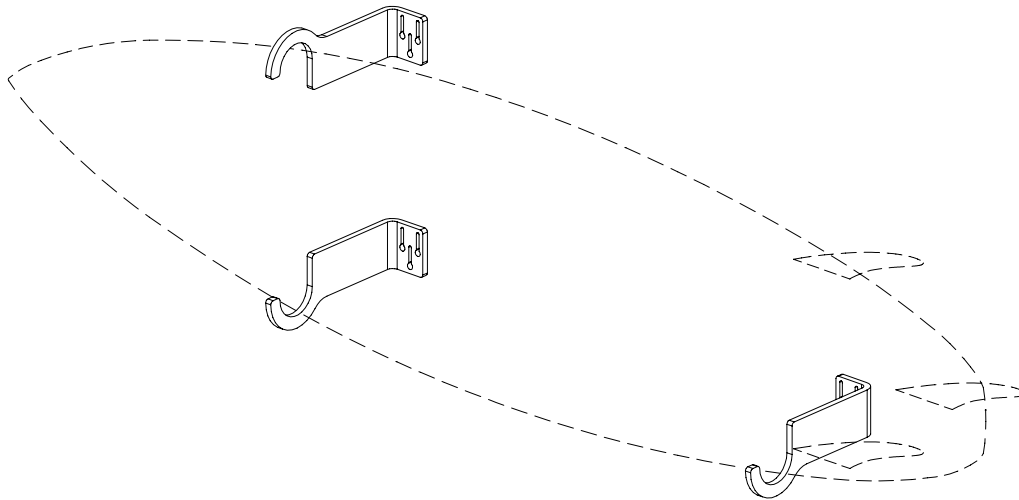




**THANKYOU FOR PURCHASING YOUR NEW GHOST RACKS®.
SOME SIMPLE INSTRUCTIONS TO HELP YOU SET UP. IT'S QUICK AND EASY.**



IT IS ADVISED TO FIX RACKS TO WALL STUDS OR INTO A SOLID BRICK/BLOCK WALL.

INCLUDED WITH YOUR RACK IS ABRASIVE RESISTANT TAPE. IF YOU WISH TO PREVENT SCRATCHING APPLY THIS TO THE CURVED OPENING OF THE BRACKET THAT WRAPS AROUND THE RAILS OF THE BOARD.

1. Select the wall your Ghost Racks® will display your prized board.
2. Position the bottom 2 brackets approximately 1-1.5 metres apart. Depending on the board length. (This is only a guide.) Make sure they are level with one another. Mark where the screws will be located in each bracket. Once appropriate fixing points are in the wall screw the 2 brackets to the wall using the screws supplied.
DO NOT OVER TIGHTEN SCREWS.
3. Place your board in the 2 brackets making sure the board looks level or to your liking. While the board is in its correct position place the top bracket directly above the left side bottom bracket. This is the position the board will be held securely. Mark the wall where the screws for the top bracket will be located.
4. Apply fixing to wall. Screw the top bracket in place.
5. Grab your prized possession and place the board nose first between the top and bottom brackets. Once board is secure between the 2 brackets place the tail into the other bottom bracket. Your board is now displayed for you & everyone to enjoy.