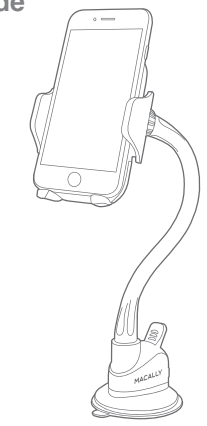


375.0 mm

180.0 mm

MACALLY MGRIP10

14" ADJUSTABLE CAR SUCTION HOLDER MOUNT User's Guide



www.macally.com

Introduction

The Macally MGRIP10 is a car suction mount holder for smartphone that allows you to do hands-free phone calls and use your iPhone/smartphone for navigation. The MGRIP10 not only mounts to the windshield but also to the dashboard, so it doesn't obstruct your view while you drive. The 14" super long neck brings your smartphone within close reach when mounted to the windshield. In order to increase smartphone stability and visibility on a bumpy road a support stand for the gooseneck is included. It also includes a base disc to mount the suction cup securely to the dashboard. The Macally MGRIP10 fits Apple iPhone XS Max and XR, Samsung Galaxy Note 9, Huawei Mate 20 Pro and P20 Pro, Google Pixel 3, One Plus 6T, LGV40 ThinQ and any other smartphone between 1.8"-4.1" (with/without protective case). Drive safe with the Macally MGRIP10.

Package Contents

- Adjustable Car Suction Holder Mount
- Dashboard base disc
- Gooseneck support stand
- Cable clip
- User's Guide

Macally Product Information

Technical Support

Please E-mail us at techsupport@macally.com, In U.S.A. please call 1-909-230-6888 Mon-Fri 8:30 AM - 5:30 PM, Pacific Standard Time

Macally Product Information

Warranty

Macally peripherals warrants that this product will be free from defects in title, materials and manufacturing workmanship for one year from the date of purchase. If the product is found to be defective then, as your sole remedy and as the manufacturer's only obligation, Macally will repair or replace the product. This warranty shall not apply to products that have been subject to abuse, misuse, abnormal electrical or environmental conditions, or any condition other than what can be considered as normal use.

Limitation of Liability

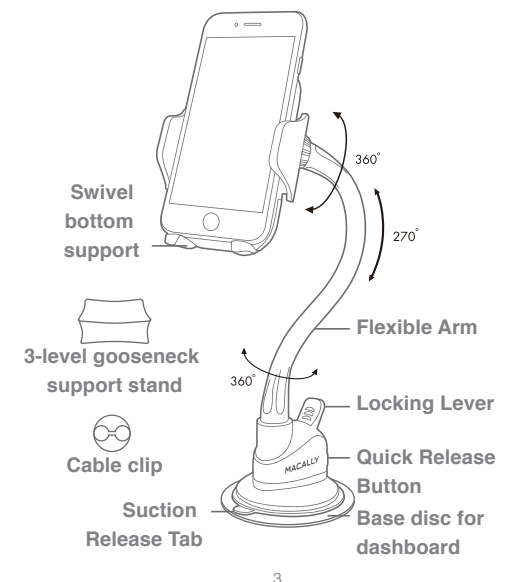
The liability of Macally Peripherals arising from this warranty and sale shall be limited to a refund of the purchase price. In no event shall Macally Peripherals be liable for costs of procurement of substitute products or services, or for any lost profit, or for any consequential, incidental, direct or indirect damages, however caused and on any theory of liability, arising from this warranty and sale. These limitations shall apply not with standing any failure of essential purpose of any limited remedy.

Copyright© 2019 by Macally Peripherals

Disclaimer

Please check your state and local laws on placing phone or GPS devices etc on the car windshield before using Macally suction mount products in your car. It is illegal in some states, and there is certain restriction in other states.

Hardware Basics



Specifications

- Suitable for various models of Cell phone, iPhone, iPod and GPS
- Maximum holding device width: 4.1 Inches
- Minimum holding device width: 1.77 Inches

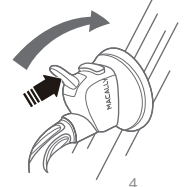
Note: the mounting surface should be free of dirt and oil. If the suction cup mount has problems staying on, clean the mounting surface and the suction cup with alcohol, then reinstall. Moistening the suction cup may help adhesion in some cases.

Installing the Suction Holder

WINDSHIELD MOUNT

NOTE: PLEASE CHECK YOUR STATE LAW FOR LEGALITY OF INSTALLING A PHONE HOLDER ON THE CAR WINDSHIELD.

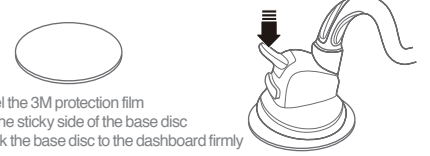
Find a location on your windshield that does not obstruct your view while driving. Then apply some pressure and firmly press the suction cup up against the windshield and press the locking lever downward to secure the mount in place. Once in place, bend the gooseneck to adjust the angle as needed.



DASHBOARD MOUNT

NOTE: For a good adhesion, make sure the dashboard is free of dirt/grease, install and let the base disc sit for 10-20 minutes before mounting the suction cup on the base disc.

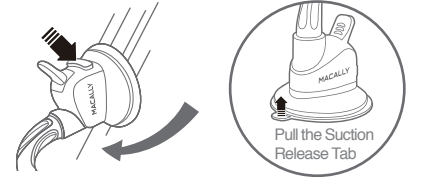
Remove the protective film from the back of the base disc and stick it to your dashboard. Wait 10-20 minutes then push the suction cup firmly onto the base disc and press the locking lever downward to secure the mount in place. Once in place, bend the gooseneck to adjust the angle as needed.



- Peel the 3M protection film off the sticky side of the base disc
- Stick the base disc to the dashboard firmly

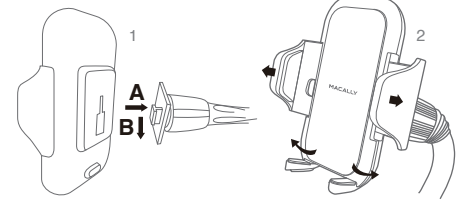
UNMOUNTING/RELEASING THE SUCTION CUP

To unmount the suction cup simply press the quick release button. Then remove the suction cup by pulling on the suction release tab to break the vacuum seal.

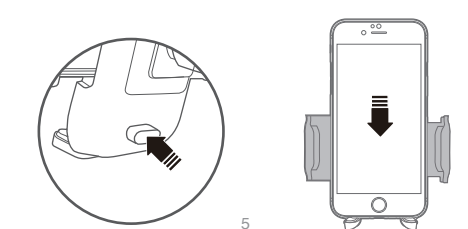


Using The Phone Holder

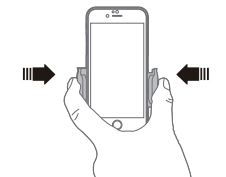
1. Align the back of the holder with the gooseneck T-pin head (A) and press the holder downward to snap it in place (B).
2. Phone holder can be adjusted as shown.



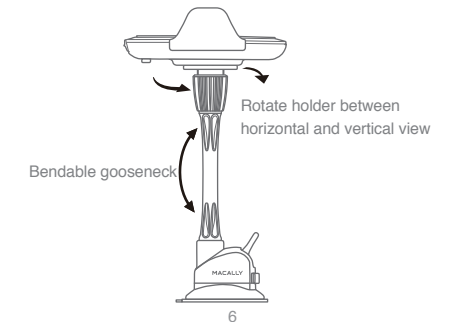
3. Press the button on the back of the holder to release the arm grip. Place your phone into the holder.



4. Use your fingers to gently squeeze in grip arms from both sides until your phone is securely held.



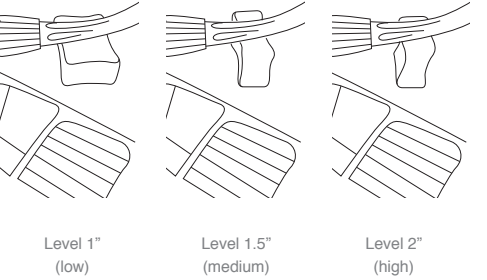
5. To change the viewing angle, simply hold and bend the flexible gooseneck to accommodate your viewing comfort. To change between vertical view and horizontal view, simply hold and rotate the holder with phone.



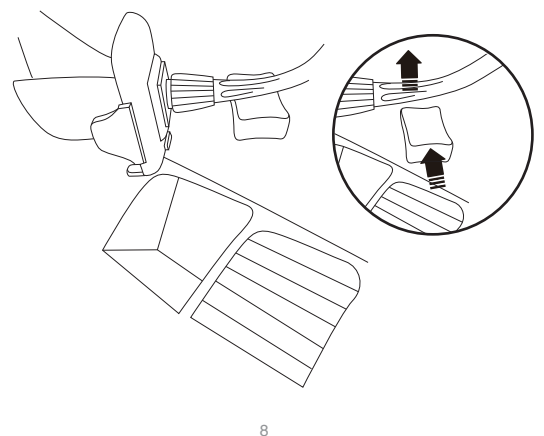
Gooseneck Support Stand

To reduce the bouncing of your phone and gooseneck during driving, please insert this support stand between the gooseneck and car dashboard.

1. After installing the MGRIP on your windshield or dashboard, check the gap between the gooseneck's low point and the car's dashboard then choose one of 3 levels, 1"(low), 1.5"(medium) or 2"(high) to use the stand.



2. Lift up the gooseneck a little bit and insert the support stand underneath the gooseneck's low point. Make sure the stand touches both gooseneck's low point and the car dashboard. If it doesn't, please remove the stand and bend the gooseneck downward, then re-insert the stand so it is held securely between gooseneck and car dashboard. You may now place your phone into the holder and bouncing should be minimal during driving.



If you have any questions, please contact one of us below:

Christine Li
Louis Lu
Erica Lin

Email: christinel@macally.com
Email: louisl@frontlinetech.com.cn
Email: erica@macally.com.tw

Tel: 909-230-6888 ext 125
Tel: +86-755-6682-0980 ext 103
Tel: +886-2720-1155

This document is furnished under license and may be used or copied only in accordance with the terms of such license. Except as permitted by such license, no part of this document may be reproduced, stored in a retrieval system, or transmitted, in any form or any means, electronic, mechanical, recording, or otherwise, including translation to another language or format, without the prior written permission of Macally Peripherals.

Peripherals Printing Spec 印刷规格	
Brief: 简述:	MGRIP10 US manual
Materials Spec: 用料规格:	105G 双铜纸
INKS 颜色规格: 彩色印刷:	单黑
Additional Process: 额外加工:	5页弹黄折, 再对折
Note 备注:	