

## USER GUIDE

The Macally MCUP3WXL car cup phone holder features a 5" flexible gooseneck and 360° rotatable cradle that allows you to achieve the best hands free viewing angles for your phone. The 3 winged adjustable base is equipped with rubberized padded base arms to provide maximum friction when inside the cup holder and expands to accommodate small, medium and large cup holders between 2.6" and 4" wide. Also, our phone cradle is uniquely designed with a one of a kind cable management clip to help keep your charging cables organized and at arm's reach.

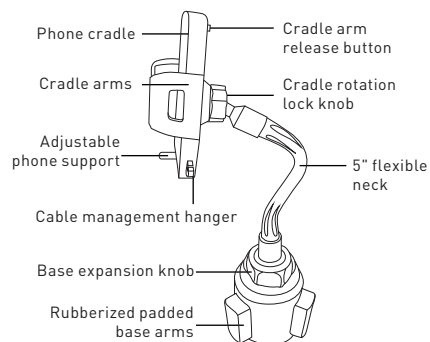
### About this guide

Before you start using the Macally MCUP3WXL, be sure to read this guide in its entirety.

### Package contents

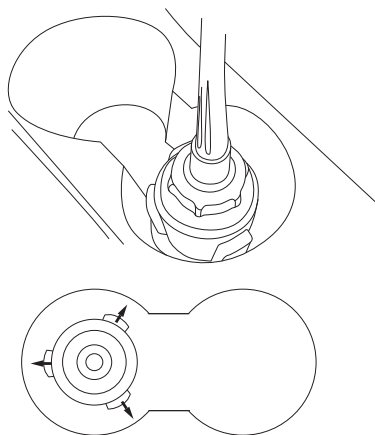
- MCUP3WXL
- User guide

### Hardware basics

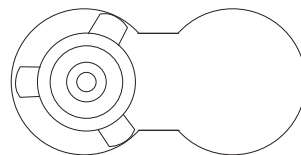
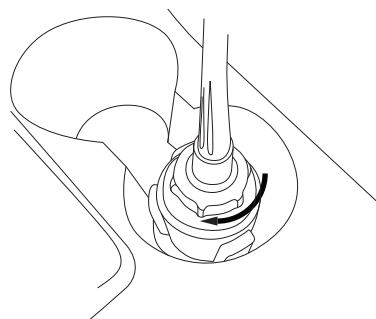


### Installation instructions

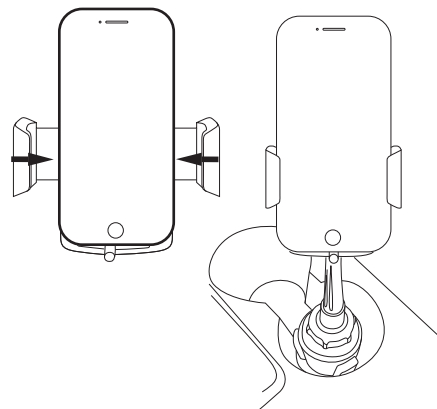
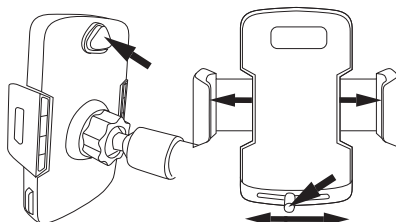
Place the mCup3WXL into your cup holder and align the 3 wings so that they make full contact with the inside walls of your cup holder once expanded.



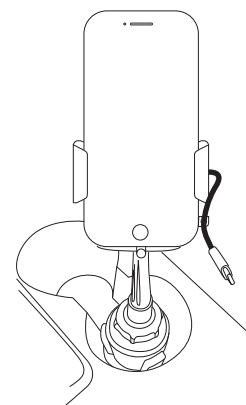
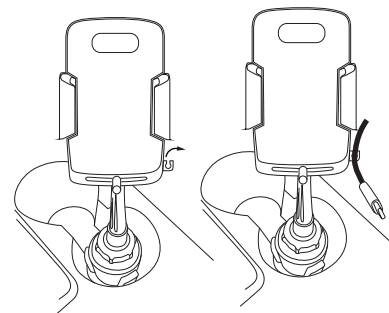
Expand the base arms by turning the base expansion knob clockwise. Then bend and make adjustments to the gooseneck as needed.



Press the cradle arm release button to expand the cradle arms, place your phone into the cradle and push the cradle arms inward to lock them in place.



To utilize the side cable management hanger, simply pull it downward and place your charging cable into the hanger.



### Technical support

For tech support please call (909) 230-6888 or e-mail us at [techsupport@macally.com](mailto:techsupport@macally.com). Tech support hours are from 8:30 AM to 5:30 PM Monday through Friday (Pacific Standard Time).

FAQ & help: <https://help.macally.com/help>  
Manual and driver download:  
<https://us.macally.com/pages/drivers-and-downloads>

### Warranty

Macally Peripherals warrants that this product will be free from defects in title, materials and manufacturing workmanship for one year in North America from the date of the purchase. If the product is found to be defective then, as your sole remedy and as the manufacturer's only obligation, Macally will repair or replace the product. This warranty is exclusive and is limited to the Macally MCUP3WXL. This warranty shall not apply to products that have been subjected to abuse, misuse, abnormal electrical or environmental conditions, or any condition other than what can be considered normal use. The liability of Macally Peripherals arising from this warranty and sale shall be limited to a refund of the purchase price. In no event shall Macally Peripherals be liable for costs of procurement of substitute products or services, or for any lost profits, or for any consequential, incidental, direct or indirect damages, however caused and on any theory of liability, arising from this warranty and sale. These limitations shall apply notwithstanding any failure of essential purpose of any limited remedy.

### Peripherals Printing Spec 印刷規格

Brief: **MCUP3WXL user's guide**

Materials Spec: **105G 双铜纸**  
用料规格:

INKS 颜色油料: **K 单黑**  
Color Printing: **1** 色印刷:

Additional Process: **1 Pages**  
额外加工:

Note 備註: **弹簧摺**