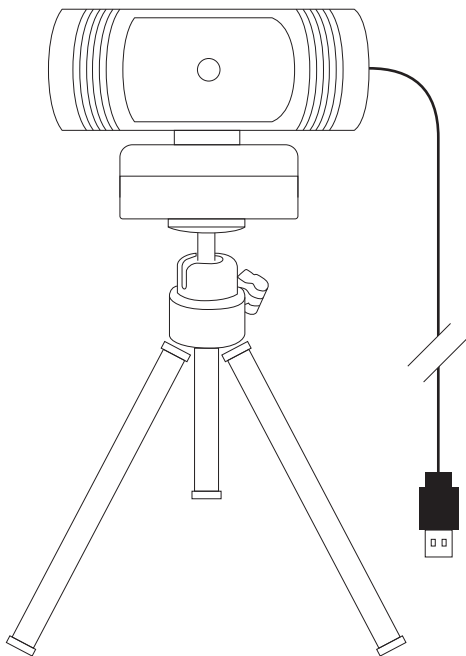


MZOOMCAM

FULL HD 1080P WEBCAM

User guide



USER GUIDE

Thank you for purchasing the Macally MZOOMCAM. Experiencing video calls with your colleagues, classmates, friends and family is the next best thing to being there in person. As video calls and streams are becoming more popular, it's essential to have an easy to use and reliable USB webcam such as the Macally MZOOMCAM.

Equipped with full HD 1080p@30f/s, fixed focus, auto light balance, color correction, 120° wide viewing angle and an integrated omnidirectional microphone, our webcam offers crisp and clear video calling and recording in almost any environment, even in low-light conditions.

The Macally MZOOMCAM is true plug and play. As long as your computer has a USB-A port, Mac OS X v10.6 or later, Windows 7/8/10, Chrome OS or Android v 5.0 or above, you can begin video calling within minutes. No extra software is required! Easy to use, it fits perfectly on top of your laptop or LCD monitor and with the included tripod you can also place it on your desk.

Our webcam was designed and tested to work with the most popular video calling and streaming apps. This includes Zoom, Hangouts, Meet, Skype, Twitch, Facetime and many others. Whether it is for business meetings, school or a live stream channel the Macally MZOOMCAM will suit your needs!

About this guide

Before you start using the Macally MZOOMCAM, be sure to read this guide in its entirety.

Safety instructions

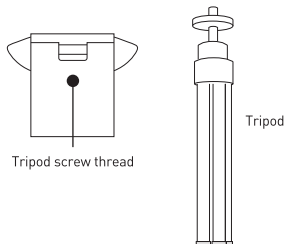
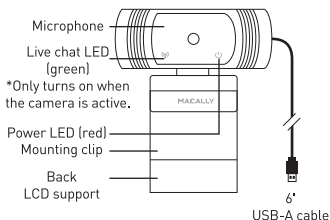
Please read the following carefully before using this Macally product. Incorrect use of this product may result in reduced performance, permanent damage and void warranty:

1. Do not place this product near a heat source.
2. Operating temperature of 0°C to 40°C. Storage temperature of -20°C to 70°C.
3. Do not place this product near moisture nor liquids.
4. Operate and store at humidity of 20% to 80% (non-condensing)
5. Do not place heavy objects on this product.
6. Do not drop this product.
7. Do not dispose this product in the garbage. Take it to your local recycling centre.

Package contents

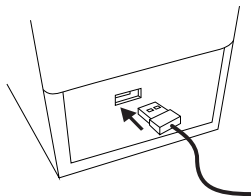
- MZOOMCAM
- Tripod
- User guide

Hardware basics

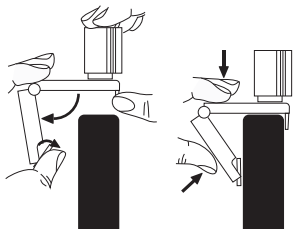


How to use MZOOMCAM

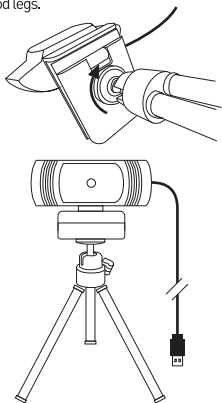
1. Plug the USB-A end of the cable into any available USB-A port on your computer.



- 2a. Pull the mounting clip downward [1] and place the camera up against the top of your laptop or LCD monitor. Then bring the mounting clip upward [2] until it hits the back of the screen.



2b. To use the tripod simply screw the tripod into the bottom of the mounting clip and expand the tripod legs.



3. Select the video calling application of choice, open Preferences to select your webcam.

Platform Compatibility:

- Windows 7, Vista, 8, 10
- Mac OS X and above
- Chrome OS
- Android v 5.0 or above

Application Compatibility:

If you are connecting the MZOOMCAM to a laptop with a built in web camera please visit your preferred web chat provider's web site for information on how to switch between web cams.

- Zoom®
- Skype®
- Twitch®
- Apple FaceTime®
- Windows Messenger®
- Google Meet®
- Microsoft Teams®

Technical support

For tech support please call (909) 230-6888 or e-mail us at techsupport@macally.com. Tech support hours are from 8:30 AM to 5:30 PM Monday through Friday (Pacific Standard Time).

FAQ & help - <https://help.macally.com/help>
Manual and driver download - <https://us.macally.com/pages/drivers-and-downloads>

Warranty

Macally Peripherals warrants that this product will be free from defects in title, materials and manufacturing workmanship for one year in North America from the date of the purchase. If the product is found to be defective then, as your sole remedy and as the manufacturer's only obligation, Macally will repair or replace the product. This warranty is exclusive and is limited to the Macally MZOOMCAM. This warranty shall not apply to products that have been subjected to abuse, misuse, abnormal electrical or environmental conditions, or any condition other than what can be considered normal use. The liability of Macally Peripherals arising from this warranty and sale shall be limited to a refund of the purchase price. In no event shall Macally Peripherals be liable for costs of procurement of substitute products or services, or for any lost profits, or for any consequential, incidental, direct or indirect damages, however caused and on any theory of liability, arising from this warranty and sale. These limitations shall apply notwithstanding any failure of essential purpose of any limited remedy.

MACALLY