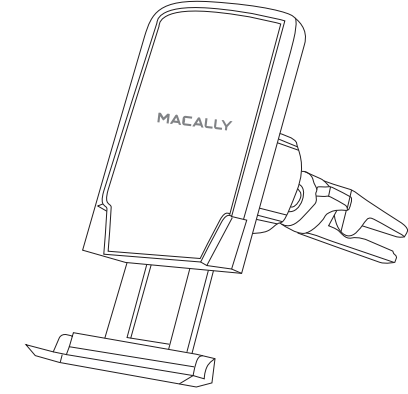


300.0 mm

MACALLY MVENTMAG

MAGNETIC CAR AIR VENT MOUNT
User's Guide



www.macally.com

Introduction

The Macally MVENTMAG is a car vent mount with a magnetic holder for iPhone/smartphone that allows you to do hands-free phone calls and use your iPhone/smartphone as a navigator. As it mounts securely on most car air vents, it doesn't obstruct your view while you drive. The holder has a 100% safe and 50% more powerful Neodymium magnet to securely hold any size iPhone/smartphone, even while in a protective case. Drive safe with the Macally MVENTMAG.

Before you begin using this product, be sure to read this user's guide in its entirety.

Package Contents

- MVENTMAG
- Four metal plates
- User's Guide

Macally Product Information

Registration

Please register this product at www.macally.com/register.html.

Technical Support

Please E-mail us at techsupport@macally.com. In U.S.A. please call 1-909-230-6888 Mon-Fri 8:30 AM - 5:30 PM, Pacific Standard Time

Macally Product Information

Warranty

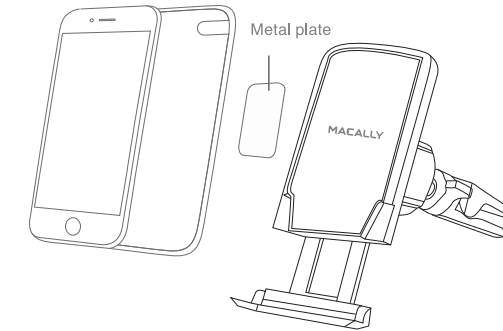
Macally peripherals warrants that this product will be free from defects in title, materials and manufacturing workmanship for one year from the date of purchase. If the product is found to be defective then, as your sole remedy and as the manufacturer's only obligation, Macally will repair or replace the product. This warranty shall not apply to products that have been subject to abuse, misuse, abnormal electrical or environmental conditions, or any condition other than what can be considered as normal use.

Limitation of Liability

The liability of Macally Peripherals arising from this warranty and sale shall be limited to a refund of the purchase price. In no event shall Macally Peripherals be liable for costs of procurement of substitute products or services, or for any lost profit, or for any consequential, incidental, direct or indirect damages, however caused and on any theory of liability, arising from this warranty and sale. These limitations shall apply not with standing any failure of essential purpose of any limited remedy.

Copyright© 2017 by Macally Peripherals

Hardware Basics



Four metal plates included

* Do NOT use with iPod classic or any device with hard drive. The strong magnetic fields of the Neodymium magnet that is a part of this product can damage magnetic hard drives and other similar devices.

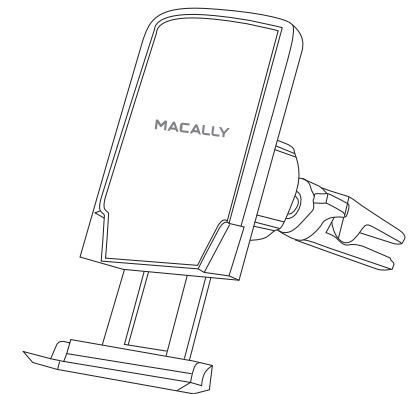
Front

180.0 mm

300.0 mm

MACALLY MVENTMAG

SUPPORT MAGNÉTIQUE DE FIXATION SUR GRILLE D'AÉRATION
Guide de l'utilisateur



www.macally.com

Introduction

Le modèle Macally MVENTMAG est un support magnétique de fixation sur grille d'aération qui vous permet de passer vos appels en mains libres et d'utiliser votre iPhone/smartphone comme un GPS. Solidement fixé sur la plupart des grilles d'aération des véhicules, il ne gêne pas la vision pendant la conduite. Ce support comporte un aimant au Neodymium sûr à 100 % et 50 % plus puissant qui maintient fermement tout iPhone/smartphone de toutes tailles, même dans leur étui de protection. Conduisez en toute sécurité avec le support MVENTMAG.

Contenu de l'ensemble

- MVENTMAG
- quatre plaques magnétiques et manuel d'utilisation

Informations concernant le produit Macally

Enregistrement

Veillez enregistrer ce produit à l'adresse www.macally.com/register.html.

Soutien technique

Veillez communiquer avec nous à l'adresse techsupport@macally.com, aux États-Unis, veuillez appeler au 1-909-230-6888 du lundi au vendredi, entre 8h30 et 17h30, heure standard du Pacifique

Informations concernant le produit Macally

Garantie

Macally Peripherals garantit que ce produit sera exempt de défaut de dénomination, de pièce et de main d'œuvre pendant un an à compter de la date de l'achat. Si le produit s'avère être défectueux pendant cette période, selon votre seul recours et la seule obligation du fabricant, Macally réparera ou remplacera le produit. Cette garantie ne peut s'appliquer à des produits ayant fait l'objet d'abus, de mauvaise utilisation, de conditions électriques et environnementales anormales ou de toutes conditions pouvant être considérées comme autres qu'un usage normal.

Limitation of Liability

La responsabilité de Macally Peripherals découlant de la présente garantie et de la vente de l'appareil sera limitée au remboursement du prix d'achat. En aucun cas Macally Peripherals ne pourra être tenu responsable des coûts d'acquisition de produits ou de services de substitution, ou pour toute perte de profit, ou pour tout dommage conséquent, incident, direct ou indirect, quelle qu'en soit la cause ou toute théorie de responsabilité résultant de cette garantie et vente. Ces limitations auront cour nonobstant tout défaut de remplir le but visé de tout recours limité utilisé.

Droits d'auteur © 2017 détenus par Macally Peripherals

Back

180.0 mm

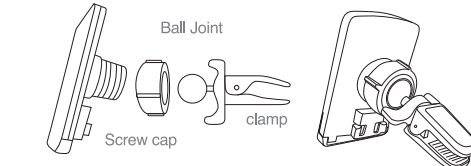
www.macally.com

Installing the MVENTMAG

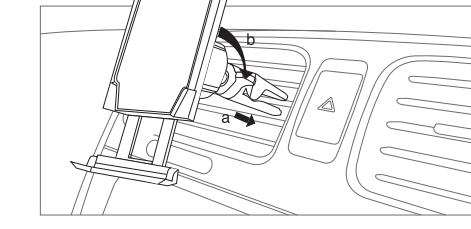
Important: Please park your car in a safe location before installing and adjusting MVENTMAG.

1. Phone without case - Please peel off 3M sticker paper and adhere a metal plate onto the back of phone securely.
2. Phone with thin case - You may place a metal plate between the phone and the case.
3. Phone with thick case - If #2 does not provide enough magnetic mounting force, you can peel off 3M sticker paper and adhere a metal plate onto the back of the phone case directly.

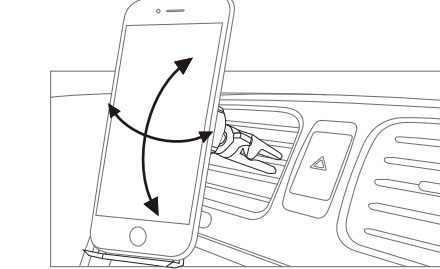
2 Assemble the MVENTMAG together as shown below



3 Find a desired location on the air vent in your car dashboard to attach the magnetic mount. Insert the clamp to air vent (a), turn the butterfly fastener clockwise to tighten the clamp on the air vent securely (b)



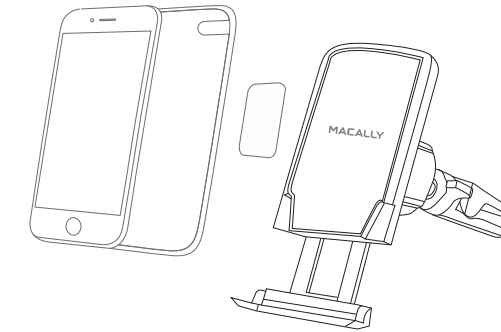
4 Place your phone with metal plate onto the MVENTMAG, adjust viewing angle, loosen and tighten the ball-joint screw cap for adjustment and fastening as needed



4 Magnetplatten und Bedienungsanleitung

* NE PAS UTILISER avec un iPod classique ou tout appareil équipé d'un disque dur. Les puissants champs magnétiques de l'aimant au Neodymium contenu dans ce produit peuvent endommager les disques durs ou les composants similaires.

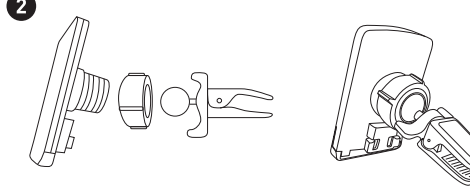
Description du matériel



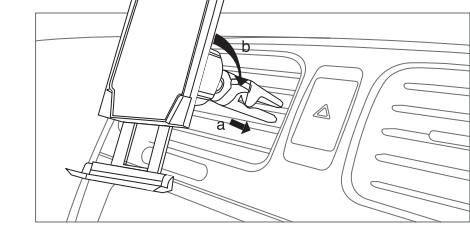
Installation du MVENTMAG

1. Peel off the 3M sticker paper and adhere the metal plate to the back of the phone.
2. For phones with thin cases, place the metal plate between the phone and the case.
3. For phones with thick cases, peel off the 3M sticker paper and adhere the metal plate directly to the back of the phone case.

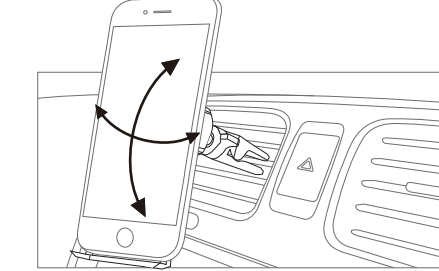
2 Assemble the MVENTMAG together as shown below



3 Find a desired location on the air vent in your car dashboard to attach the magnetic mount. Insert the clamp to air vent (a), turn the butterfly fastener clockwise to tighten the clamp on the air vent securely (b)



4 Place your phone with metal plate onto the MVENTMAG, adjust viewing angle, loosen and tighten the ball-joint screw cap for adjustment and fastening as needed



Peripherals Printing Spec 印刷规格

Material: MVENTMAG US manual

Material: 105G 双铜纸

Color: 单黑

4页弹黄折, 再对折

If you have any questions, please contact one of us below:

Amy Wang
Louis Lu

Email: amyw@macally.com
Email: louisl@frontlinetech.com.cn

Tel: 909-230-6888 ext 125
Tel: +86-755-6682-0980 ext 103

This document is furnished under license and may be used or copied only in accordance with the terms of such license. Except as permitted by such license, no part of this document may be reproduced, stored in a retrieval system, or transmitted, in any form or any means, electronic, mechanical, recording, or otherwise, including translation to another language or format, without the prior written permission of Macally Peripherals.