

EN- USER GUIDE

Thank you for purchasing the Macally MVENTCLIP. The Macally MVENTCLIP securely mounts your mobile device to the air vent on your car's dashboard without obstructing your view while you drive! The fully adjustable MVENTCLIP offers many viewing angles and is therefore perfect for navigation. The MVENTCLIP supports any mobile device between 2"-3.5" inches (51-89 mm) width.

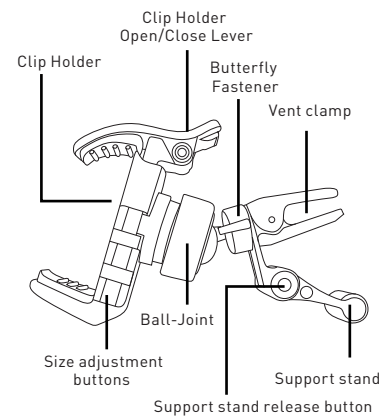
About this guide

Before you start using the Macally MVENTCLIP, be sure to read this guide in its entirety.

Package contents

- MVENTCLIP
- User guide

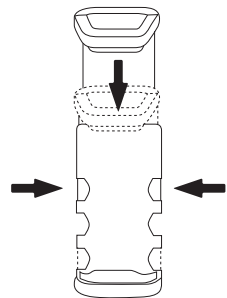
Hardware basics



Installation instructions

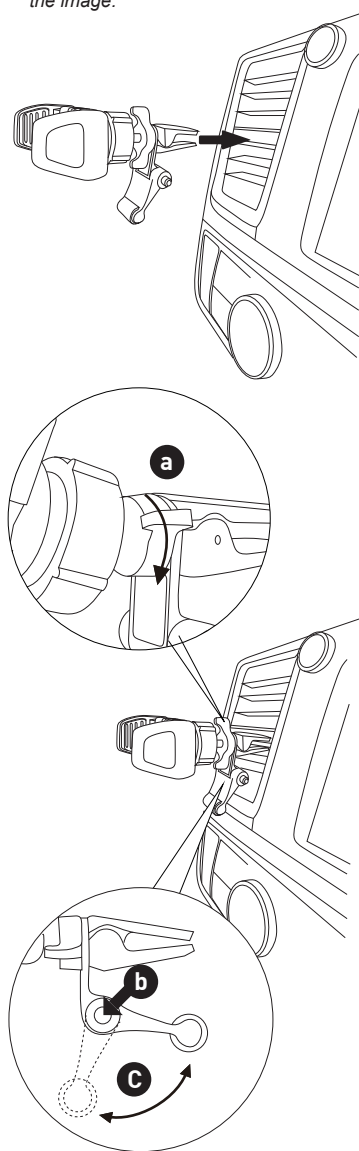
Important: Please park your car in a safe location before installing and/or adjusting the MVENTCLIP.

1. The clip is pre-assembled and shipped at full expansion to support larger phones. To shorten the clip's width simply hold-in the two side adjustment buttons and push the clip inwards as needed.

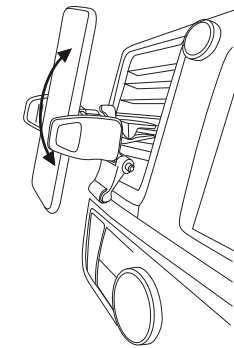
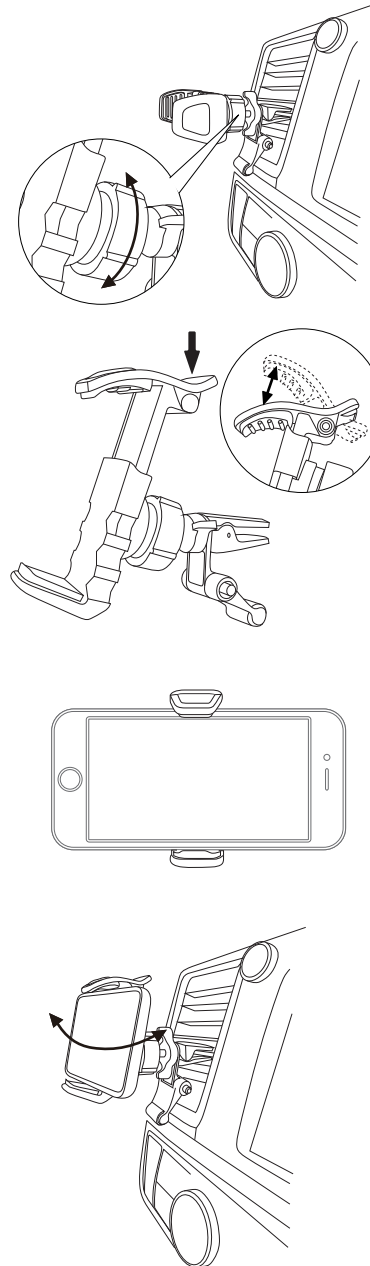


2. Find a visible and reachable location on any of your car's air vent to attach the phone holder. Insert the clamp into the air vent and turn the butterfly fastener clockwise (a) to tighten the clamp onto the air vent. Then press-in the support stand release button (b) and swivel the stand until it sits firmly onto the car's surface (c) to support the mount, and keep air vent fully open for A/C air flow.

**For easier access to the butterfly fastener we recommend keeping the phone holder clamp in a horizontal position as shown in the image.*



3. Once the clamp is securely in place you can loosen the ball-joint to rotate and angle the clip holder toward driver, and turn to tighten the ball-joint. Then simply press-in on the clip lever to open the clip holder and place your phone inside.



Technical support

For technical support from Monday to Friday. Please call to +1 909 230 6888 or email to techsupport@macally.com.

Warranty

Macally Peripherals warrants that this product will be free from defects in title, materials and manufacturing workmanship for one year in North America from the date of the purchase. If the product is found to be defective then, as your sole remedy and as the manufacturer's only obligation, Macally will repair or replace the product. This warranty is exclusive and is limited to the Macally MVENTCLIP. This warranty shall not apply to products that have been subjected to abuse, misuse, abnormal electrical or environmental conditions, or any condition other than what can be considered normal use. The liability of Macally Peripherals arising from this warranty and sale shall be limited to a refund of the purchase price. In no event shall Macally Peripherals be liable for costs of procurement of substitute products or services, or for any lost profits, or for any consequential, incidental, direct or indirect damages, however caused and on any theory of liability, arising from this warranty and sale. These limitations shall apply notwithstanding any failure of essential purpose of any limited remedy.

Peripherals Printing Spec 印刷规格

Brief: 简述:	MVENTCLIP user's guide	
Materials Spec: 用料规格:	105G	双铜纸
INKS 颜色油料: Color Printing 色印刷:	K	单黑
Additional Process: 额外加工:	6 Pages	
Note 备注:	弹簧摺	