

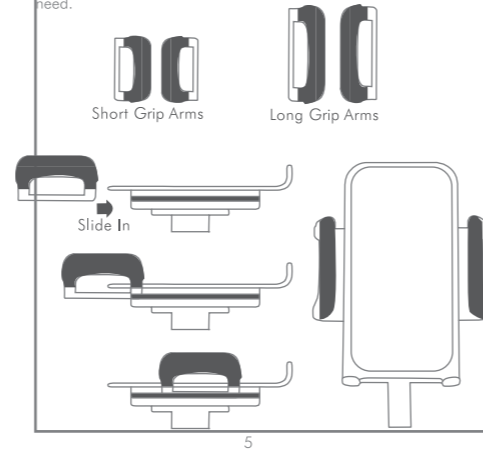
80.0 mm

210.0 mm

www.macally.com

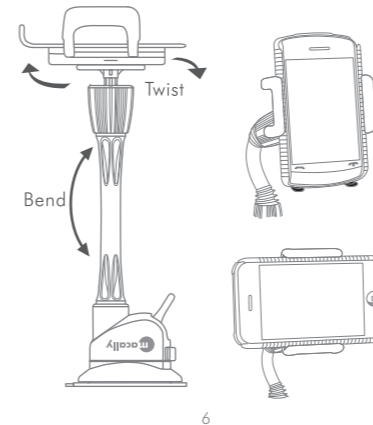
Installing the mGrip

The package includes two different sizes of grip arms. A pair of short grip arms, another pair of long grip arms. These grip arms are interchangeable, please use the configuration that best fits your need.



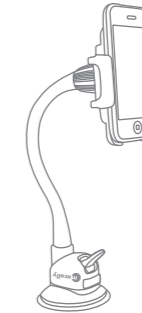
Adjusting the mGrip

To change the viewing angle, simply hold and bend the flexible arm to accommodate your viewing comfort. To change between vertical view and horizontal view, simply hold and rotate the grip arms.



mGrip User's Guide Suction Cup Mount

for iPhone, iPod, Cell Phone, MP4, GPS and PDA



www.macally.com

Front

80.0 mm

Introduction

Thank you for purchasing the Macally mGrip. Macally mGrip is a suction cup mount made to hold iPhone, iPod, Cell Phones, MP4, PDA, and GPS. This supreme suction cup is designed to provide strong adhesion even on the toughest roads.

Before you begin using the Macally mGrip, be sure to read this user's guide in its entirety.

Package Contents

- mGrip
- 1 Pair of Long Grip Arms
- 1 Pair of Short Grip Arms
- User's Guide

Specifications

- Suitable for various models of Cell phone, iPhone, iPod, MP4, GPS, and PDA
- Maximum holding device width: 2 1/2 Inches
- Minimum holding device width: 1 3/4 Inches

Note: the mounting surface should be free of dirt and oil
Note: If the suction cup mount has problems staying on, clean the mounting surface and the suction cup with alcohol, then reinstall. Moistening the suction cup may help adhesion in some cases.

1

Macally Product Information

Registration

Please register this product at www.macally.com/register.html.

Technical Support

Please E-mail us at techsupport@macally.com, or techsupport@macally-europe.com
In U.S.A. please call 1-909-230-6778
Mon-Fri 8:30 AM - 5:30 PM, Pacific Standard Time

Warranty

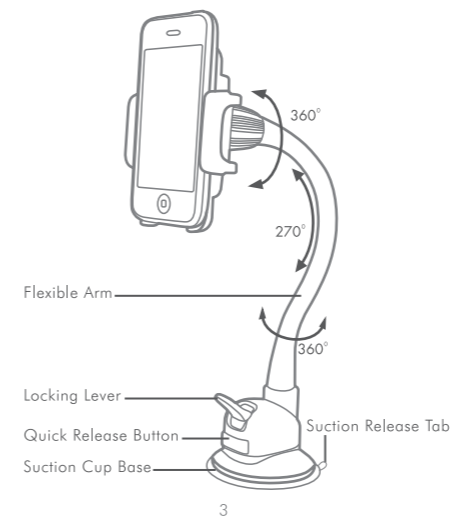
Macally peripherals warrants that this product will be free from defects in title, materials and manufacturing workmanship for one year from the date of purchase. If the product is found to be defective then, as your sole remedy and as the manufacturer's only obligation, Macally will repair or replace the product. This warranty shall not apply to products that have been subject to abuse, misuse, abnormal electrical or environmental conditions, or any condition other than what can be considered as normal use.

Limitation of Liability

The liability of Macally Peripherals arising from this warranty and sale shall be limited to a refund of the purchase price. In no event shall Macally Peripherals be liable for costs of procurement of substitute products or services, or for any lost profit, or for any consequential, incidental, direct or indirect damages, however caused and on any theory of liability, arising from this warranty and sale. These limitations shall apply not with standing any failure of essential purpose of any limited remedy.
Copyright© 2009 by Macally Peripherals

2

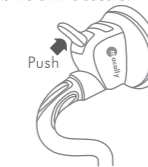
Hardware Basics



3

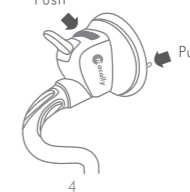
Mounting the mGrip

Begin the installation by first pressing the suction cup against the mounting surface and, while maintaining pressure, push the locking lever down until the arm is secure.



Dismounting the mGrip

To dismount the unit, push the quick release button. Then, remove the suction base by pulling on the suction release tab to break the vacuum seal.



4

Back