

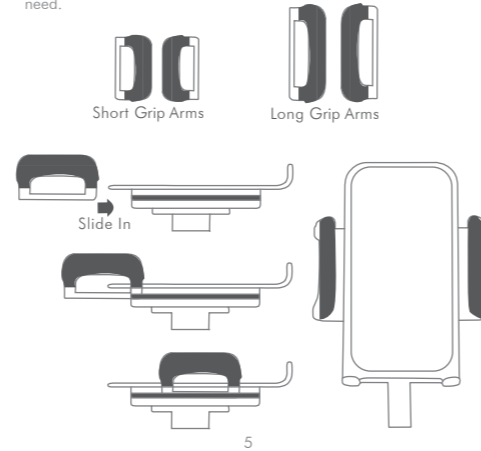
80.0 mm

210.0 mm

[www.macally.com](http://www.macally.com)

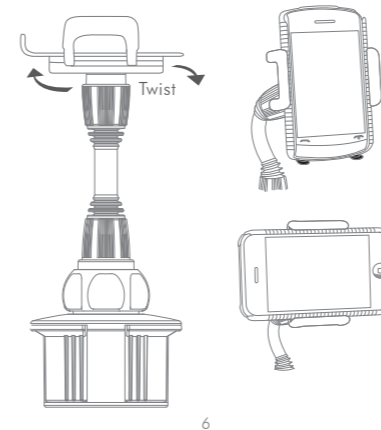
### Installing the mCup

The package includes two different sizes of grip arms; a pair of short grip arms, another pair of long grip arms. These grip arms are interchangeable. Please use the configuration that best fits your need.



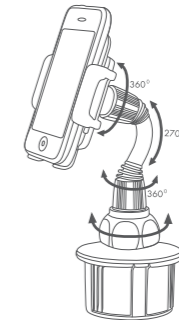
### Adjusting the mCup

To change the viewing angle, simply twist the neck lock and adjust the mount angle to accommodate your viewing comfort. To change between vertical view and horizontal view, simply hold and rotate the grip arms.



## mCup User's Guide

Adjustable Automobile Cup Holder Mount  
for iPhone, iPod, Cell Phone, MP4, GPS and PDA



[www.macally.com](http://www.macally.com)

Front

80.0 mm

### Introduction

Thank you for purchasing the Macally mCup. Macally mCup is an adjustable automobile cup holder mount made to hold iPhone, iPod, Cell Phones, MP4, PDA, and GPS.

Before you begin using the Macally mCup, be sure to read this user's guide in its entirety.

### Package Contents

- mCup
- 1 Pair of Long Grip Arms
- 1 Pair of Short Grip Arms
- User's Guide

### Specifications

- Suitable for various models of Cell phone, iPhone, iPod, MP4, GPS, and PDA
- Adjusts to fit almost any cup holder
- Maximum holding device width: 2 1/2 Inches
- Minimum holding device width: 1 3/4 Inches

1

### Macally Product Information

#### Registration

Please register this product at [www.macally.com/register.html](http://www.macally.com/register.html).

#### Technical Support

Please E-mail us at [techsupport@macally.com](mailto:techsupport@macally.com), or [techsupport@macally-europe.com](mailto:techsupport@macally-europe.com)  
In U.S.A. please call 1-909-230-6778  
Mon-Fri 8:30 AM - 5:30 PM, Pacific Standard Time

#### Warranty

Macally peripherals warrants that this product will be free from defects in title, materials and manufacturing workmanship for one year from the date of purchase. If the product is found to be defective then, as your sole remedy and as the manufacturer's only obligation, Macally will repair or replace the product. This warranty shall not apply to products that have been subject to abuse, misuse, abnormal electrical or environmental conditions, or any condition other than what can be considered as normal use.

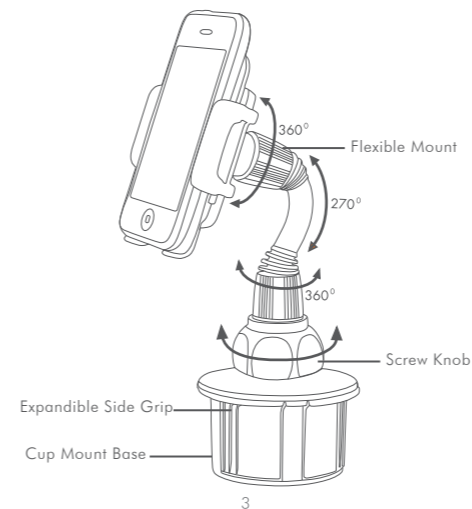
#### Limitation of Liability

The liability of Macally Peripherals arising from this warranty and sale shall be limited to a refund of the purchase price. In no event shall Macally Peripherals be liable for costs of procurement of substitute products or services, or for any lost profit, or for any consequential, incidental, direct or indirect damages, however caused and on any theory of liability, arising from this warranty and sale. These limitations shall apply not with standing any failure of essential purpose of any limited remedy.

Copyright© 2009 by Macally Peripherals

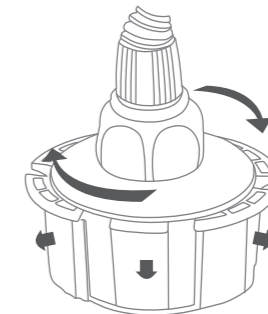
2

### Hardware Basics



### Installing the mCup

1. Begin the installation by first releasing the Screw Knob, simply twist the Screw Knob and the Expandible Side Grip will expand outward.
2. Place the mCup into your car's cupholder and adjust the side grip for a snug fit.
3. Once you have placed mCup into the car cup holder, twist the Screw Knob again to lock mCup securely in place.



4

Back