

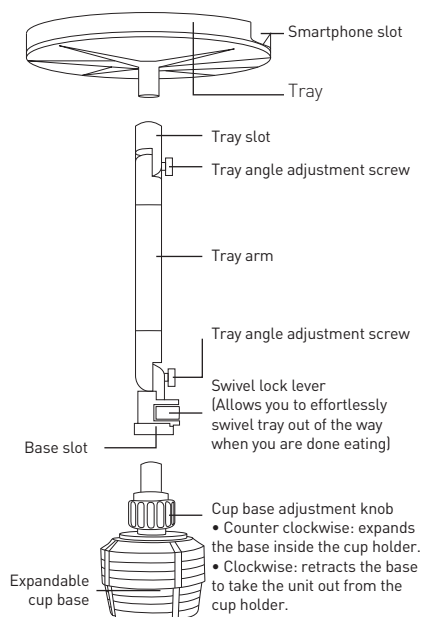
## USER GUIDE

Thank you for purchasing the Macally MUCPTRAY. The mCupTray features a large 9" circular tray to accommodate just about any sized burger and fries with a padded Smartphone slot so you can catch up on your favorite shows while eating comfortably in the driver's seat. The adjustable arm lets you effortlessly raise and lower the tray to your liking and can be used to keep your keys, loose change, pens and more at the tip of your fingers as you drive.

### Package contents

- MUCPTRAY
- Adhesive gel pads (for larger cup holders)
- User guide

### Hardware basics

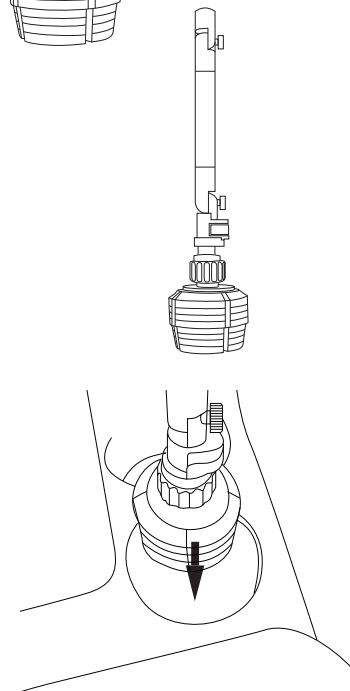
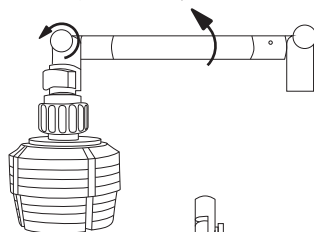


### Important notes

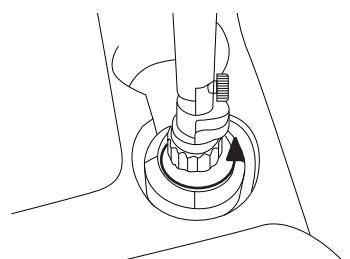
- The Smartphone slot is meant to be used while the car is in a "stand still" (parked/not moving) position. Please do not attempt to drive off with your mobile device still in the slot.
- The food tray is not meant to hold drinks. Please refrain from putting your drinks in the tray as it may not be sturdy enough to hold up.
- The adhesive gel pads included in this package should only be used if you find that the base slips out of your cup holder and should only be used if the mCupTray will not be removed from the cup holder once in place. Retracting the base once the gel pads are attached may result in the base pads coming off.

### Installation instructions

Loosen the bottom tray arm and extend the arm upward. Then place the cup holder base into your cars cup holder.

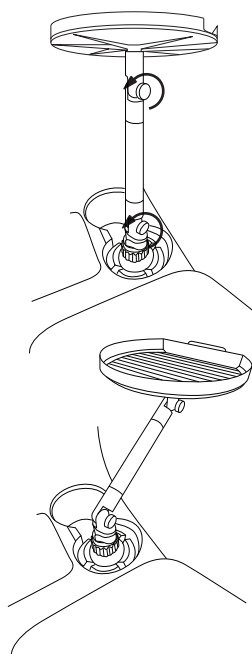
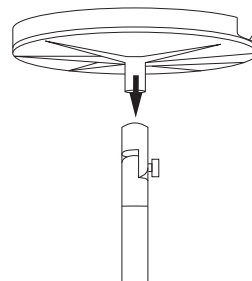


2. Hold the tray arm firmly and turn the base adjustment knob "counter clockwise" to expand the base into the cup holder.



3. Slide the tray onto the top tray slot opening then loosen the tray and arm angle adjustment screws to make adjustments to the tray as needed.

**Note:** The swivel lock lever allows you to effortlessly swivel tray out of the way when you are done eating.



### Technical support

For tech support please call (909) 230-6888 or e-mail us at [techsupport@macally.com](mailto:techsupport@macally.com). Tech support hours are from 8:30 AM to 5:30 PM Monday through Friday (Pacific Standard Time).

**FAQ & help** - <https://help.macally.com/help>  
Manual and driver download - <https://us.macally.com/pages/drivers-and-downloads>

### Warranty

*Macally Peripherals warrants that this product will be free from defects in title, materials and manufacturing workmanship for one year in North America from the date of the purchase. If the product is found to be defective then, as your sole remedy and as the manufacturer's only obligation, Macally will repair or replace the product. This warranty is exclusive and is limited to the Macally MUCPTRAY. This warranty shall not apply to products that have been subjected to abuse, misuse, abnormal electrical or environmental conditions, or any condition other than what can be considered normal use. The liability of Macally Peripherals arising from this warranty and sale shall be limited to a refund of the purchase price. In no event shall Macally Peripherals be liable for costs of procurement of substitute products or services, or for any lost profits, or for any consequential, incidental, direct or indirect damages, however caused and on any theory of liability, arising from this warranty and sale. These limitations shall apply notwithstanding any failure of essential purpose of any limited remedy.*

### Peripherals Printing Spec 印刷規格

Brief: **MCUPTRAY user's guide**  
简述:

Materials Spec: **105G 双铜纸**  
用料规格:

INKS 颜色油料: **K 单黑**  
Color Printing 色印刷:

Additional Process: **1 Pages**  
额外加工:

Note 備註: **弹簧摺**