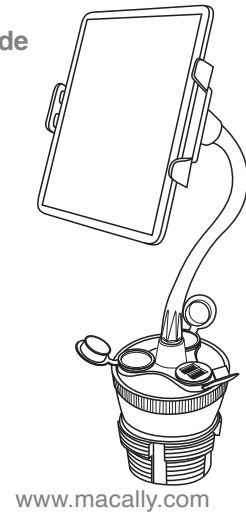


300.0 mm

180.0 mm

# MACALLY MCUPPOWERTAB

## CAR CUP HOLDER MOUNT WITH USB CHARGER User's Guide



### Introduction

The Macally MCUPPOWERTAB is an adjustable car cup holder mount for iPad/iPhone/tablet/smartphone (with or without a protective case) between 4.25"/108 mm and 9.25"/235 mm either long or wide.

The Macally MCUPPOWERTAB has a spring-loaded adjustable grip and one-touch release buttons to easily remove the iPad/iPhone/tablet/smartphone from the holder. The soft cushioning on the holder provides extra grip and protects your iPad/iPhone/tablet/smartphone from scratching.

The Macally MCUPPOWERTAB has an 8"/20 cm super-long flexible neck and a 360-degree rotatable holder for the best viewing angle. The adjustable base of the Macally MCUPPOWERTAB fits perfectly in the cup holder of most cars.

As the name suggests, the MCUPPOWERTAB has two USB ports (2 x 5V/2.1A) to charge two mobile devices simultaneously, as well as two cigarette lighter sockets to charge other devices. The Macally MCUPPOWERTAB is compatible with a 12-24V car power input.

Before you begin using this product, be sure to read this user's guide in its entirety.

### Package Contents

- Car cup holder mount with USB charger
- Cigarette lighter power plug cable
- Spare fuse
- User's Guide

### Macally Product Information

#### Technical Support

Please E-mail us at techsupport@macally.com, In U.S.A. please call 1-909-230-6888 Mon-Fri 8:30 AM - 5:30 PM, Pacific Standard Time

FAQ & help - <https://help.macally.com/help>

Manual and driver download - <https://us.macally.com/pages/drivers-and-downloads>

#### Warranty

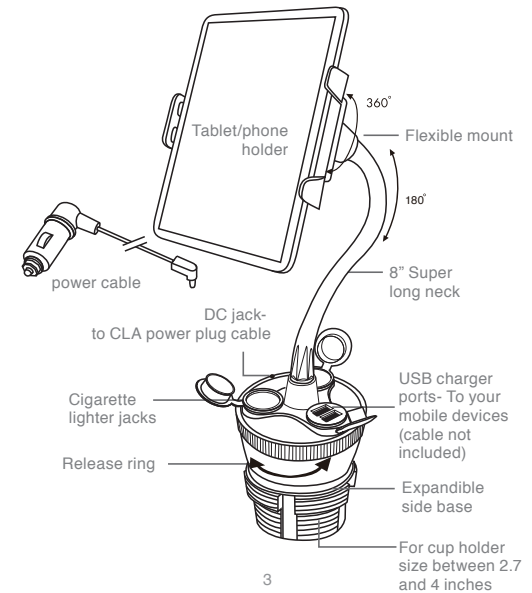
Macally peripherals warrants that this product will be free from defects in title, materials and manufacturing workmanship for one year from the date of purchase. If the product is found to be defective then, as your sole remedy and as the manufacturer's only obligation, Macally will repair or replace the product. This warranty shall not apply to products that have been subject to abuse, misuse, abnormal electrical or environmental conditions, or any condition other than what can be considered as normal use.

#### Limitation of Liability

The liability of Macally Peripherals arising from this warranty and sale shall be limited to a refund of the purchase price. In no event shall Macally Peripherals be liable for costs of procurement of substitute products or services, or for any lost profit, or for any consequential, incidental, direct or indirect damages, however caused and on any theory of liability, arising from this warranty and sale. These limitations shall apply not with standing any failure of essential purpose of any limited remedy.

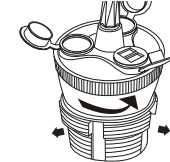
Copyright © 2019 by Macally Peripherals

### Hardware Basics

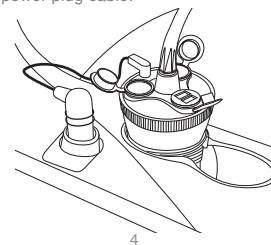


### Installing the MCUPPOWERTAB

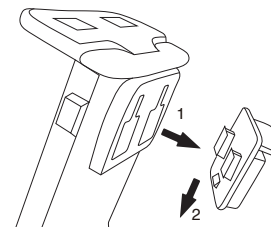
1. Begin the installation by first turning the Release Ring counter-clockwise and the Expandible Side Base will expand outward.



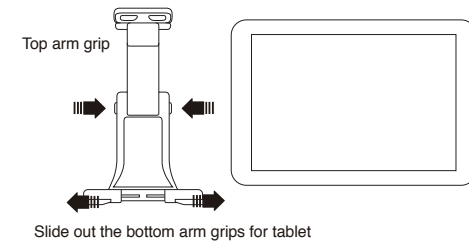
2. Place the MCUPPOWERTAB base into your car's cupholder.
3. Once you have placed MCUPPOWERTAB into the car cup holder, continue to turn the Release Ring counter-clockwise to lock MCUPPOWERTAB securely in place.
4. Connect the MCUPPOWERTAB to your car's cigarette lighter jack with the included power plug cable.



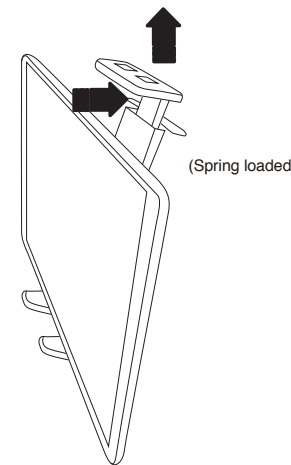
5. Attach the holder to the neck base securely.



6. Push in both side release buttons while pulling out the top arm grip, until the opening width between the top and bottom arm grips is about 1/2" shorter than the width or length of your tablet or phone to be held.

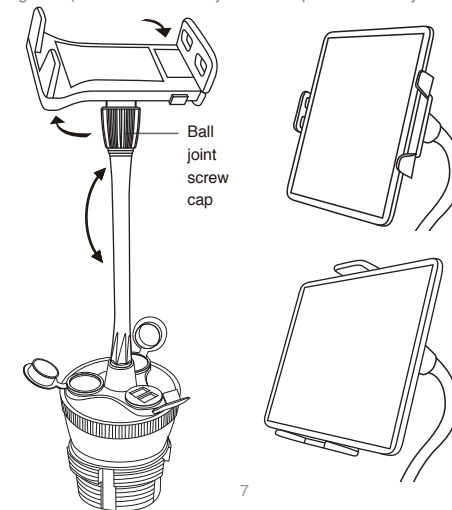


7. Place your tablet or phone on the bottom arm grips, and pull the top arm grip up (you will feel the spring loaded) to hold your tablet or phone securely.



### Adjusting the MCUPPOWERTAB

To change the viewing angle, simply hold and bend the flexible arm to accommodate your viewing comfort. To change between vertical view and horizontal view, simply rotate the tablet/phone with the holder together. (Please loosen the ball joint screw cap if needed for adjustment)



Front

#### Peripherals Printing Spec 印刷规格

Brief:	MCUPPOWERTAB US manual
Material Spec:	105G 双铜纸
INKS 颜色印刷:	1 色印刷
Color Printing:	1 单黑
Additional Process:	4页弹簧折, 再对折
Note:	

If you have any questions, please contact one of us below:

Amy Wang  
Louis Lu

Email: amyw@macally.com  
Email: louisl@frontlinetech.com.cn

Tel: 909-230-6888 ext 125  
Tel: +86-755-6682-0980 ext 103

This document is furnished under license and may be used or copied only in accordance with the terms of such license. Except as permitted by such license, no part of this document may be reproduced, stored in a retrieval system, or transmitted, in any form or any means, electronic, mechanical, recording, or otherwise, including translation to another language or format, without the prior written permission of Macally Peripherals.