

USER GUIDE

Thank you for purchasing the Macally HRMOUNTTRAY car seat headrest tablet mount allows passengers to comfortably eat while watching movies on their tablet from the back seat of the car.

The headrest mount can be easily and securely attached to the car's front seat headrest posts with a width of 2" to 9". The cradle fits any tablet/mobile device with a width of 4.5" to 10" and is fully adjustable so it can rotate between portrait and landscape view.

The large 12.40" wide fold down table has a 3" wide cup holder (2.5" deep) and a raised lip to securely keep drinks and food in place while on the road.

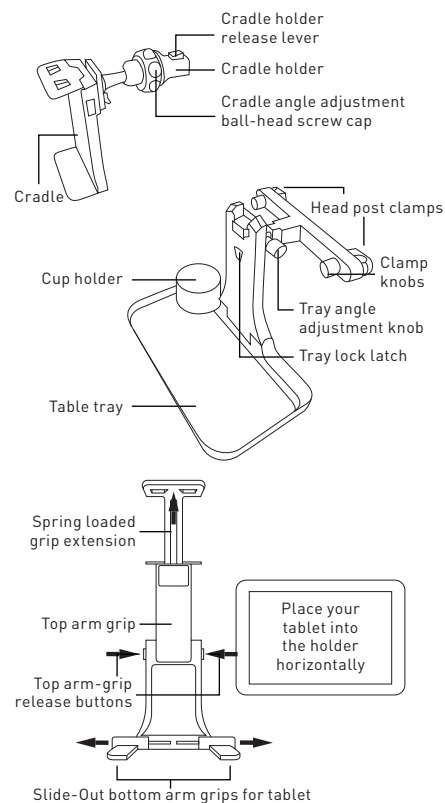
About this guide

Before you start using the Macally HRMOUNTTRAY, be sure to read this guide in its entirety.

Package contents

- HRMOUNTTRAY
- User guide

Hardware basics

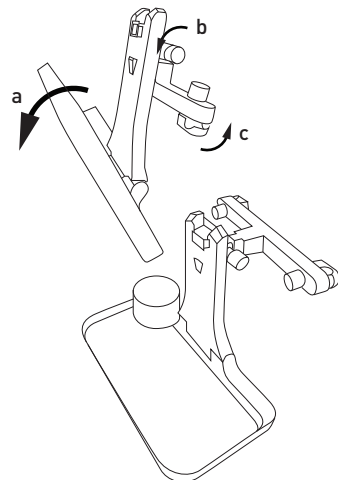


Important notes

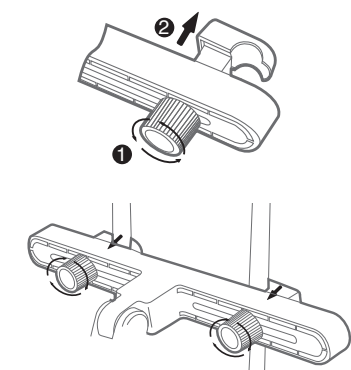
- The tray has a weight limit of 5lbs. Please do not exceed this limit.
- Please do not allow passengers to put any excess force onto the tray when exiting the vehicle.
- To prevent injuries to passengers, always keep the tray in an upright position when not in use.

Installation instructions

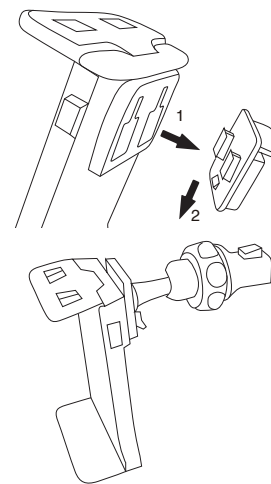
1. Pull the tray downward (a), loosen the tray angle adjustment knob (b) and bring the headrest bar upward (c). You can make adjustments to the tray angle once its mounted by loosening and tightening the tray angle adjustment knob as needed.



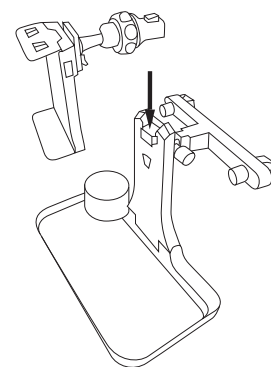
2. Loosen the head post clamps, place the clamps onto the headrest posts and firmly tighten them into place by turning the clamp knobs.



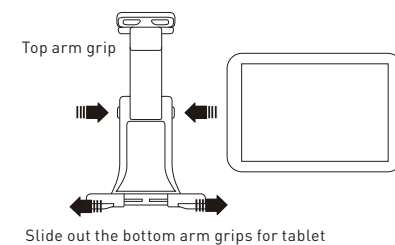
3. Attach the Smartphone/tablet cradle on to the cradle holder and then pull the cradle downward until it clicks securely into place.



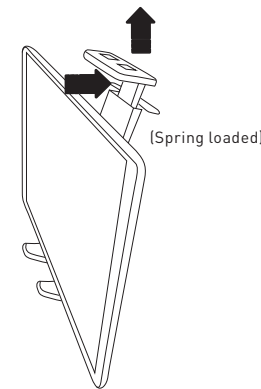
4. Slide the cradle holder onto the mount until it clicks securely into place.



5. Push in the two arm-grip release buttons while pulling up on the top arm grip. Only pull out the top arm grip until the opening width between the top and bottom arm grips is about 1/2" shorter than the width or length of your tablet or phone to be held. You will use the spring-loaded arm grip as the main grip to securely hold your device into place. Slide out the bottom arm grips for tablet.



6. Place your Smartphone/tablet onto the bottom arm grips and pull the spring-loaded arm rip upward (you will feel the spring) to hold your tablet or phone securely.



Technical support

For tech support please call (909) 230-6888 or e-mail us at techsupport@macally.com. Tech support hours are from 8:30 AM to 5:30 PM Monday through Friday (Pacific Standard Time).

FAQ & help: <https://help.macally.com/help>
Manual and driver download: <https://us.macally.com/pages/drivers-and-downloads>

Warranty

Macally Peripherals warrants that this product will be free from defects in title, materials and manufacturing workmanship for one year in North America from the date of the purchase. If the product is found to be defective then, as your sole remedy and as the manufacturer's only obligation, Macally will repair or replace the product. This warranty is exclusive and is limited to the Macally HRMOUNTTRAY. This warranty shall not apply to products that have been subjected to abuse, misuse, abnormal electrical or environmental conditions, or any condition other than what can be considered normal use. The liability of Macally Peripherals arising from this warranty and sale shall be limited to a refund of the purchase price. In no event shall Macally Peripherals be liable for costs of procurement of substitute products or services, or for any lost profits, or for any consequential, incidental, direct or indirect damages, however caused and on any theory of liability, arising from this warranty and sale. These limitations shall apply notwithstanding any failure of essential purpose of any limited remedy.

Peripherals Printing Spec 印刷規格	
Brief: 简述:	HRMOUNTTRAY user's guide
Materials Spec: 用料规格:	105G 双铜纸
INKS 颜色油料: 1 Color Printing 色印刷:	K 单黑
Additional Process: 额外加工:	1 Pages
Note 備註:	弹簧摺