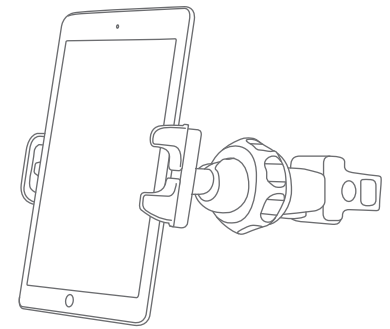


160.0 mm

420.0 mm

# MACALLY POLE MOUNT FOR TABLETS AND SMARTPHONES User's Guide



www.macally.com

## Introduction

Thank you for purchasing the Macally Single Pole Mount for Tablets, Smartphones, eReader, Apple iPad, iPhone and Samsung Galaxy Tab etc.. The mounting clamp can be securely attached to a post up to 0.75" (16 mm) diameter such as a car headrest post, or a microphone stand pole.

Before you begin using this product, be sure to read this manual in its entirety.

## Package Contents

- EZMOUNT
- User's Guide

## Macally Product Information

Technical Support  
Please E-mail us at techsupport@macally.com,  
In U.S.A. please call 1-909-230-6888  
Mon-Fri 8:30 AM - 5:30 PM, Pacific Standard Time

1

## Macally Product Information

### Warranty

Macally peripherals warrants that this product will be free from defects in title, materials and manufacturing workmanship for one year from the date of purchase. If the product is found to be defective then, as your sole remedy and as the manufacturer's only obligation, Macally will repair or replace the product. This warranty shall not apply to products that have been subject to abuse, misuse, abnormal electrical or environmental conditions, or any condition other than what can be considered as normal use.

### Limitation of Liability

The liability of Macally Peripherals arising from this warranty and sale shall be limited to a refund of the purchase price. In no event shall Macally Peripherals be liable for costs of procurement of substitute products or services, or for any lost profit, or for any consequential, incidental, direct or indirect damages, however caused and on any theory of liability, arising from this warranty and sale. These limitations shall apply not with standing any failure of essential purpose of any limited remedy.

Copyright© 2018 by Macally Peripherals

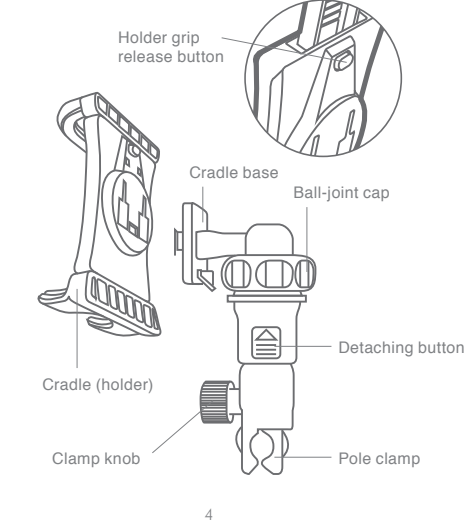
2

## Specifications

- Suitable for various models of iPad, Cell phone, iPhone, iPod, MP3 & GPS
- Maximum holding device width: 8 Inches
- Minimum holding device width: 3 1/2 Inches

3

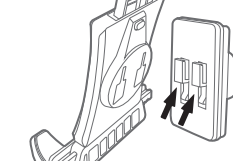
## Hardware Basics



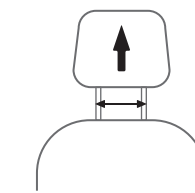
4

## Using The Headrest Mount

1. Before setting up your EZMOUNT, park your car in a safe location. Install the cradle on top of the base and slide it down until it clicks and locks into place.



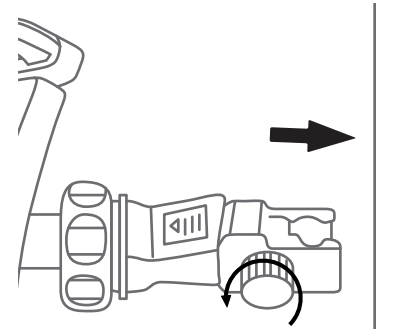
2. Raise your car's head rest up so the metal posts are exposed.



5

## Using The Headrest Mount

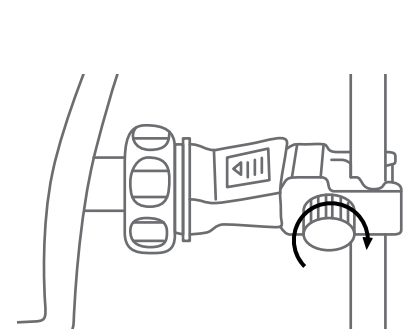
3. Loosen the clamp by turning the knob counterclockwise. Fit the clamp to the desired spot of post.



6

## Using The Headrest Mount

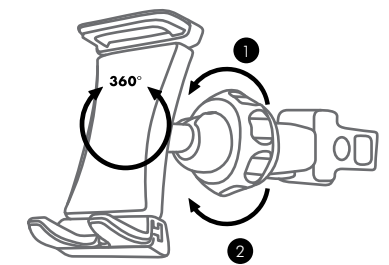
4. Then rotate the knobs clockwise to tighten the clamp so there is a firm hold.



7

## Using The Headrest Mount

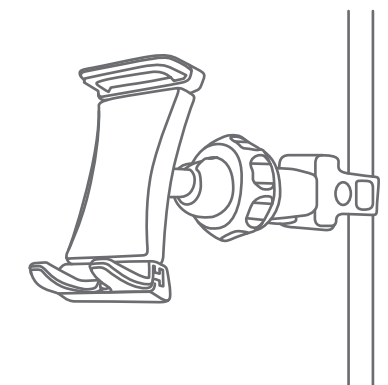
5. Loosen the ball-joint with the cap by rotating it counter clockwise. (1) You can now freely adjust the cradle for a better view of tablet in angle, or change between vertical and horizontal view. Turn the cap clockwise to tighten the cradle. (2)



8

## Using In The Microphone Stand Pole

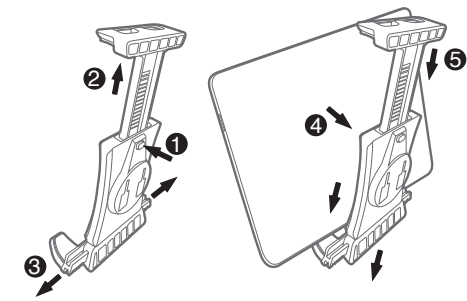
6. You can install EZMOUNT on any pole such as a microphone stand. Installation procedures are the same as the headrest mount.



9

## Using The EZMOUNT

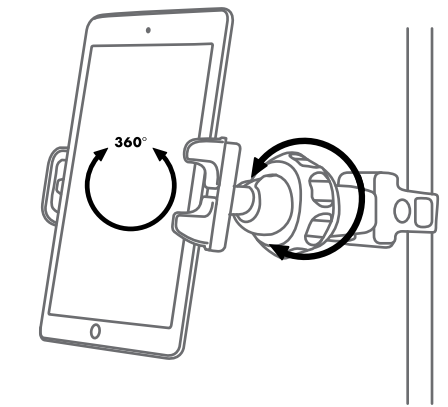
7. Press the cradle release button (1) and slide up the cradle grip to adjust to the width for your device (2). You can also extend the base to accommodate larger devices like tablets (3). Place your device in the cradle (4).



10

## Using The EZMOUNT

8. It is ready to use.



11

Peripherals Printing Spec 印刷规格	
Brief: 简法:	EZMOUNT manual
Materials Spec: 用料规格:	80G 双铜纸
INKS 颜色油料:	单黑
1 Color Printing 彩色印刷:	
Additional Process: 额外加工:	14页翻身折
Note 备注:	