

366 mm

USER GUIDE

Thank you for purchasing the Macally CARFLOORMOUNT. The Macally CARFLOORMOUNT is a fully adjustable car seat rail and floor mount that allows you to use your iPad/tablet for navigation and to entertain passengers. The holder fits any iPad/tablet, and also iPhone/smartphone, between 96 mm (3.5") and 203 mm (8") wide (with/without protective case). The soft cushioning on the holder provides a secure grip and protects your iPad/tablet from scratches. The super-long 71 cm (28") adjustable neck and 360-degree rotatable holder bring your iPad/tablet within reach and offer the best viewing angle. The Macally CARFLOORMOUNT is ideal for cars, fleets, trucks, vans and service vehicles.

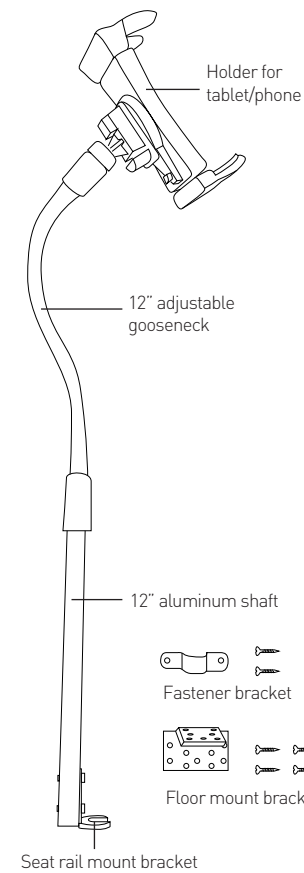
About this guide

Before you start using the Macally CARFLOORMOUNT, be sure to read this guide in its entirety.

Package contents

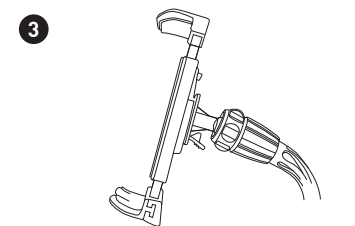
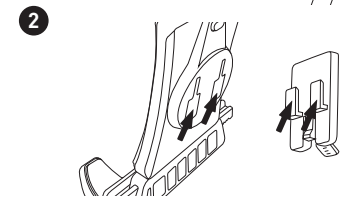
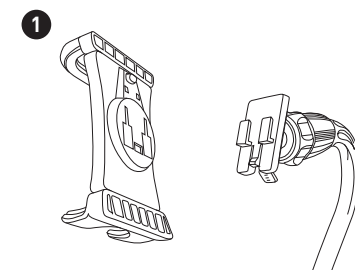
- CARFLOORMOUNT
- User guide

Hardware basics



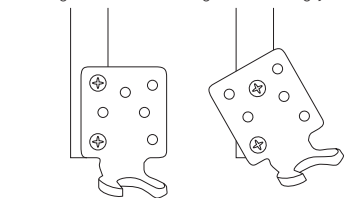
How to use the CARFLOORMOUNT

Disclaimer: Do NOT mount/unmount/adjust the Macally car mount while driving your car. Please pull over and come to a stop where it is safe to do so and does not impede traffic, and only then you can mount/unmount/adjust the Macally car mount.

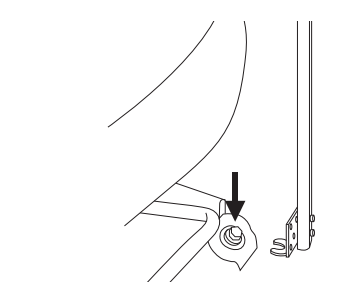


4 Seat rail mount

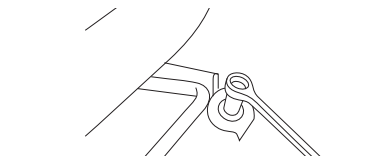
Please note, not all seat rail designs are the same so you may need to unscrew and change the bracket angle accordingly.



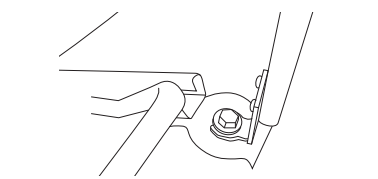
Under the passenger side seat rail please locate the screw to be used to fasten the CARFLOORMOUNT



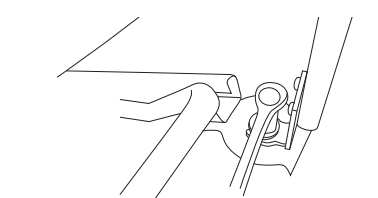
Use socket wrench to loosen the seat rail screw just enough to insert the seat rail mount



Insert the seat rail mount bracket underneath the screw



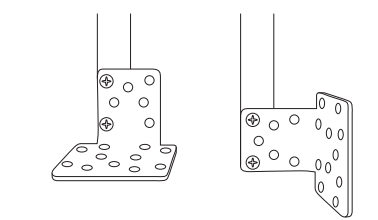
Tighten the screw to fasten the CARFLOORMOUNT securely



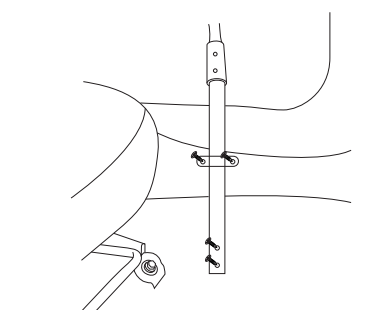
5 Floor mount

Note: Please make sure you have a full understanding of where your vehicles electrical, gas and oil lines run before screwing and drilling into your vehicle floor/frame or center console.

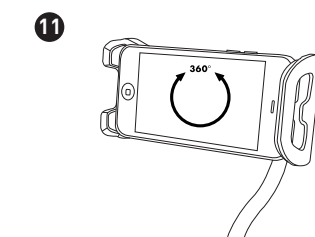
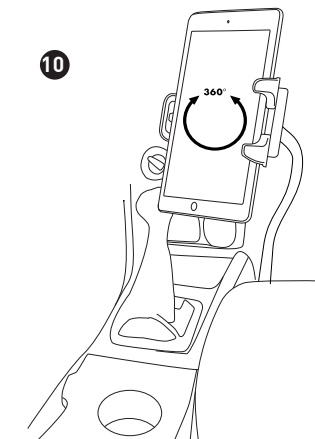
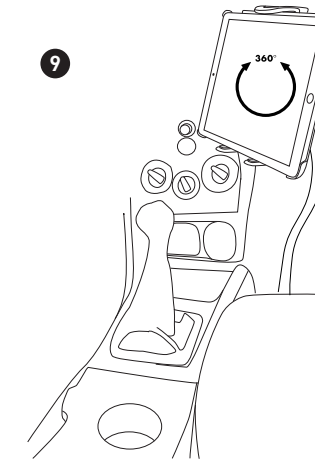
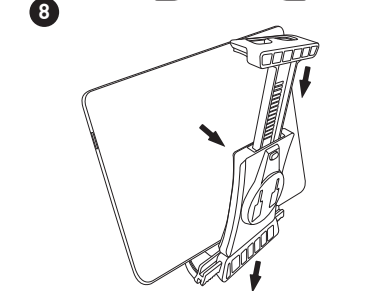
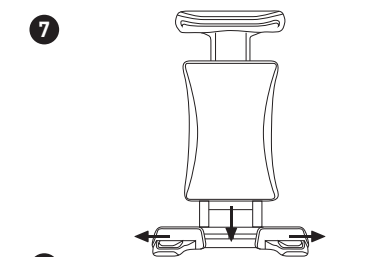
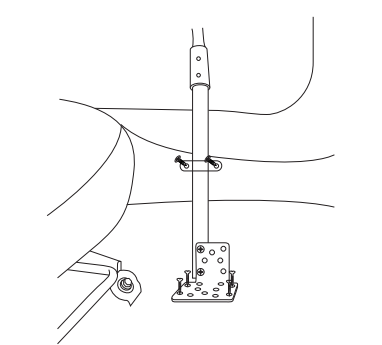
Change bracket angle or remove it according to your floor mount options



Option 1: remove the bracket and use the faster bracket along with 4 screws to screw the aluminum shaft to the center console wall.



Option 2: screw the floor mount bracket into the vehicles floor/frame and use the fastener bracket to secure the shaft to your vehicles center console wall.



Technical support

For tech support please call +1 909 230 6888 or e-mail us at techsupport@macally.com. Tech support hours are from 8:30 AM to 5:30 PM Monday through Friday (Pacific Standard Time).

Warranty

Macally Peripherals warrants that this product will be free from defects in title, materials and manufacturing workmanship for one year in North America from the date of the purchase. If the product is found to be defective then, as your sole remedy and as the manufacturer's only obligation, Macally will repair or replace the product. This warranty is exclusive and is limited to the Macally CARFLOORMOUNT. This warranty shall not apply to products that have been subjected to abuse, misuse, abnormal electrical or environmental conditions, or any condition other than what can be considered normal use. The liability of Macally Peripherals arising from this warranty and sale shall be limited to a refund of the purchase price. In no event shall Macally Peripherals be liable for costs of procurement of substitute products or services, or for any lost profits, or for any consequential, incidental, direct or indirect damages, however caused and on any theory of liability, arising from this warranty and sale. These limitations shall apply notwithstanding any failure of essential purpose of any limited remedy.

MACALLY

Macally USA: **Mace Group, Inc.** Tel: +1 909 2306888
email: sales@macally.com website: www.macally.com
Macally Europe: **Teklink Europe BV** Tel: +31 24 3731410
email: sales@macally-europe.com
website: www.macally-europe.com

Peripherals Printing Spec 印刷规格

Brief: **CARFLOORMOUNT user's guide**

Materials Spec: **105G 双铜纸**

INKS 颜色油料: **K 单黑**

Additional Process: **6 Pages**

Note 备注: **弹簧摺 再对摺**

226 mm