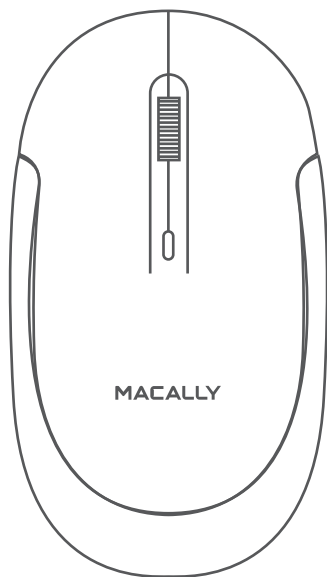


BTDYNAMOUSE

BLUETOOTH OPTICAL MOUSE

User guide



USER GUIDE

Thank you for purchasing the Macally BTDYNAMOUSE. Sensitive, soft, silent, smooth, stylish and slim...all words that define the Macally BTDYNAMOUSE Bluetooth optical silent click mouse for Mac and PC. This mouse has a DPI button that allows you to switch between a sensor resolution of 600, 1000 and 1200 DPI so you can set the tracking speed and precision to your preference. The soft-click buttons are sensitive and extremely silent so you can do your job without distraction. The scrollwheel has a double function as it allows you to scroll smoothly through web pages/documents and acts as a third button. Bluetooth technology gives you wireless freedom and keeps your other computer ports free. The mouse works with two "AAA" batteries that last up to 3 months of use (at 8 hours of daily use).* The Macally BTDYNAMOUSE has a stylish, matte finish and ambidextrous design that offers maximum comfort to both left-handed and right-handed users and helps to increase your productivity.

About this guide

Before you start using the Macally BTDYNAMOUSE, be sure to read this guide in its entirety.

Safety intructions

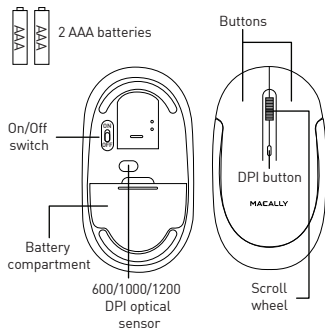
Please read the following carefully before using this Macally product. Incorrect use of this product may result in reduced performance, permanent damage and void warranty:

1. Do not place this product near a heat source.
2. Operating temperature of 0°C to 40°C. Storage temperature of -20°C to 65°C.
3. Do not place this product near moisture nor liquids.
4. Operate and store at humidity of 20% to 80% (non-condensing)
5. Do not place heavy objects on this product.
6. Do not drop this product.
7. Do not dispose this product in the garbage. Take it to your local recycling centre.

Package contents

- BTDYNAMOUSE
- 2 AAA batteries
- User guide

Hardware basics



Installation instructions

The Macally BTDYNAMOUSE does not require a driver, only a Bluetooth enabled computer with Mac OS X v10.6 and later or Microsoft Windows 7 / 8 / 10. Simply follow the steps below and you are ready to go!

Pairing the mouse with a Mac

1. Insert 2 "AAA" batteries (included) in the battery compartment and turn the Bluetooth mouse On by pressing the On/Off switch.
2. To connect the Bluetooth mouse to your computer, bring it within 25 cm (1 ft) range from your computer.
3. In your Mac, open 'Bluetooth' in 'System preferences'. Make sure Bluetooth is On.
4. Then, press the mouse scroll wheel and right button at the same time for 3 seconds until the green light flashes underneath the scroll wheel.
5. Macally Bluetooth Mouse' will appear in the list of Bluetooth Devices. Please click on 'Connect'.
6. When 'Macally Bluetooth Mouse' shows connected, you are ready to use the BTDYNAMOUSE.

Pairing the mouse with Windows PC

1. Insert 2 "AAA" batteries (included) in the battery compartment and turn the Bluetooth mouse On by pressing the On/Off switch.

3. In your Windows PC, go to 'Devices and Printers' and select 'Bluetooth Devices'. Make sure Bluetooth is On.
4. Click 'Add a device' at the top left corner (like shown in the picture).
5. 'Macally Bluetooth Mouse' will appear, please select it and press 'Next'.
7. After a short period, Windows will show a screen (like shown) indicating that the mouse is paired with the computer. You are ready to use the BTDYNAMOUSE.

The standard button functions are as follows:

- Left button: Set as single click
- Right button: Set as control plus mouse click
- Scroll wheel: Scroll speed is set as medium

However, if you wish to configure the mouse settings to your personal preferences you can do this in the settings of the operating system:

Mac OS

To configure the tracking speed, scrolling speed, double click speed and primary mouse button, go to Mouse in System Preferences. To configure the mouse button functions, go to Mission Control in System Preferences.

Windows

To configure the mouse buttons, pointer, pointer options and wheel, go to Mouse in Hardware/Control Panel.

Press the DPI button to change the sensor resolution (600/1000/1200 DPI) and set the tracking speed and precision to your preference. Click the mouse button to wake up the mouse from sleep mode

Blue LED light (below scroll wheel)

Low battery level indicator. The blue LED light below the scroll wheel shows the battery level status. When the blue LED light blinks, the battery level is low and the batteries should be replaced.

* Battery life may vary depending on user and computing conditions.

Technical support

For technical support in Europe, Middle East and Africa, please call to +31 24 373 14 10 or email to techsupport@macally-europe.com. Technical support hours in Europe, Middle East and Africa are from 9h00 to 17h00 (CET), from Monday to Friday. In USA, please call to +1 909 230 6888. or email to techsupport@macally.com. Technical support hours in USA, Canada and South America are from 8:30 AM to 5:30 PM (PT), from Monday to Friday.

Warranty

Macally Peripherals warrants that this product will be free from defects in title, materials and manufacturing workmanship for one year in North America and two (2) years in Europe, Middle East and Africa from the date of the purchase. If the product is found to be defective then, as your sole remedy and as the manufacturer's only obligation, Macally will repair or replace the product. This warranty is exclusive and is limited to the Macally BTDYNAMOUSE. This warranty shall not apply to products that have been subjected to abuse, misuse, abnormal electrical or environmental conditions, or any condition other than what can be considered normal use. The liability of Macally Peripherals arising from this warranty and sale shall be limited to a refund of the purchase price. In no event shall Macally Peripherals be liable for costs of procurement of substitute products or services, or for any lost profits, or for any consequential, incidental, direct or indirect damages, however caused and on any theory of liability, arising from this warranty and sale. These limitations shall apply notwithstanding any failure of essential purpose of any limited remedy.

MACALLY